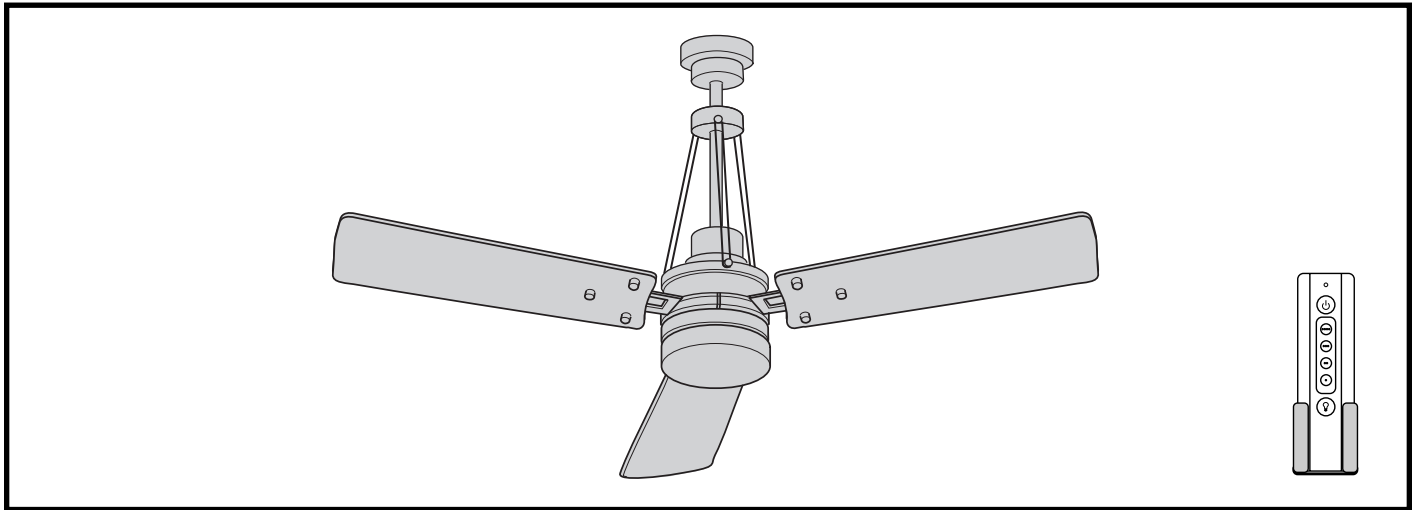


**READ AND SAVE THESE INSTRUCTIONS**



**EMERSON™**

**CONTEMPORARY**



**HIGHPOINT™**  
**54" Ceiling Fan Owner's Manual**

Model Numbers

**CF205BS01 - Brushed Steel Housing, Dark Mahogany Finish Blades & Opal Matte Glass**

**CF205GES01 - Golden Espresso Housing, Chocolate Finish Blades & Sandstone Glass**

**CF205GRT01 - Graphite Housing, Charcoal/Timber Gray Blades & Opal Matte Glass**

**CF205VS01 - Vintage Steel Housing, River Wash/Honey Oak Dual Finish Blades & Vintage Cream Glass**

Net Weight: **22.4** Lbs.

Questions, problems, missing parts: Before returning to the store call Emerson Electric Customer Service  
8 a.m. - 6 p.m., Eastern, Monday-Friday

**1-800-654-3545**

**www.emersonfans.com**

# Table of Contents

Section	Page	Section	Page
Safety Instructions .....	2	9. Remote Control Procedures .....	22-24
1. Unpacking Instructions .....	3-4	10. Reverse Switch Operation .....	25
2. Electrical Requirements .....	4	11. Accessories .....	25
3. Ceiling Fan Assembly .....	5-10	12. Repair Parts .....	26-27
4. How to Hang Your Ceiling Fan .....	11-12	13. Maintenance .....	28
5. How to Wire Your Ceiling Fan .....	13-17	14. Troubleshooting .....	28
6. Ceiling Cover Installation .....	18	Ceiling Fan Limited Warranty .....	29
7. Final Installation .....	19	Spanish .....	31
8. Disassemble Your Light Kit for Cover Plate Assembly Only .....	20-21	French .....	61

## READ AND SAVE THESE INSTRUCTIONS

### Safety Instructions

#### WARNING

TO REDUCE THE RISK OF FIRE, ELECTRICAL SHOCK, OR INJURY TO PERSONS, OBSERVE THE FOLLOWING:

- Use this unit only in a manner intended by the manufacturer. If you have questions, contact the manufacturer.
- Before servicing or cleaning unit, switch power off at service panel and lock service panel disconnecting means to prevent power from being switched on accidentally. When the service disconnecting means cannot be locked, securely fasten a warning device, such as a tag, to the service panel.

- Read your owner's manual carefully and keep it for future reference.
- Be careful of the fan and blades when cleaning, painting, or working near the fan. Always turn off the power to the ceiling fan before servicing.
- Do not put anything into the fan blades while they are turning.
- Do not operate reversing switch until fan blades have come to a complete stop.

#### Additional Safety Instructions for Installation

- To avoid possible shock, be sure electricity is turned off at the fuse box before wiring, and do not operate fan without blades.
- All wiring must be in accordance with the National Electrical Code "ANSI/NFPA 70-2014" and Local Electrical Codes. Use the National Electrical Code if Local Codes do not exist. The ceiling fan must be grounded as a precaution against possible electrical shock. Electrical installation should be made or approved by a licensed electrician.
- The outlet box and joist must be securely mounted and capable of reliably supporting at least 50 pounds. Use only U.L. outlet boxes listed as "Acceptable for Fan Support of 22.7kg. (50 lbs.) or less", and use the mounting screws provided with the outlet box. Most outlet boxes commonly used for support of light fixtures are not acceptable for fan support and may need to be replaced. Consult a qualified electrician if in doubt.

- The longer downrod furnished with the fan provides the minimum recommended floor to fan blade clearance for a 9 foot ceiling. The 6" downrod (supplied) must be used for an 8 foot ceiling.
- The fan must be mounted with the fan blades at least 7 feet from the floor to prevent accidental contact with the fan blades.
- Follow the recommended instructions for the proper method of wiring your ceiling fan. If you do not know enough about electrical wiring, have your fan installed by a licensed electrician.

**CAUTION:** The halogen bulbs operate at high internal pressure and high surface temperatures and could shatter unexpectedly. The halogen bulbs generate UV (ultraviolet) radiation that may cause skin and eye irritation with prolonged exposure. To avoid risks of burns or other injury, assure power is off before attempting to install or replace halogen bulb. Do not operate fan/light without lower glass in place.

- This fan uses halogen bulbs. Do not touch the bulb with bare hands. Fingerprints may result in shorter bulb life. Remove fingerprints with alcohol.

**NOTE:** This fan is suitable for use with solid-state speed controls.

**NOTE:** All setscrews must be checked and re-tightened where necessary before installation.

#### WARNING

To reduce the risk of electrical shock, this fan must be installed with an isolating wall control/switch.

To reduce the risk of fire or electrical shock, this fan should only be used with fan speed control, Model No. UC7067RA, manufactured by Rhine Electric Co., Ltd.

To avoid fire, shock or injury, do not use an Emerson or any other brand of control not specifically approved for this fan.

This product is designed to use only those parts supplied with this product and/or any accessories designated specifically for use this product by Emerson Electric Co. Substitution of parts or accessories not designated for use with this product by Emerson could result in personal injury or property damage.

To reduce the risk of personal injury, do not bend the blade flange when installing the blade flanges, balancing the blades or cleaning the fan. Do not insert foreign objects in between rotating fan blades.

# 1. Unpacking Instructions

## ⚠ WARNING

Do not install or use fan if any part is damaged or missing. Call Toll-Free:

**1-800-654-3545**

## ⚠ WARNING

This product is designed to use only those parts supplied with this product and/or any accessories designated specifically for use with this product by Emerson Electric Co. Substitution of parts or accessories not designated for use with this product by Emerson Electric Co. could result in personal injury or property damage.

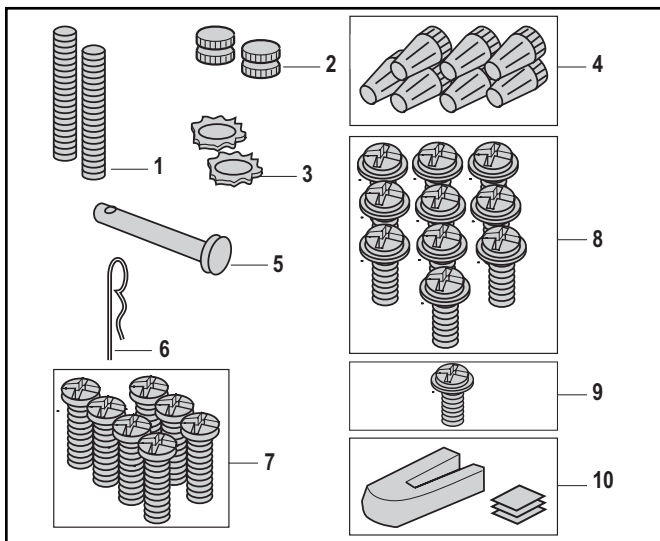
### 1.1

Check to see that you have received the following parts:

**NOTE: If you are uncertain of part description, refer to exploded view illustration.**

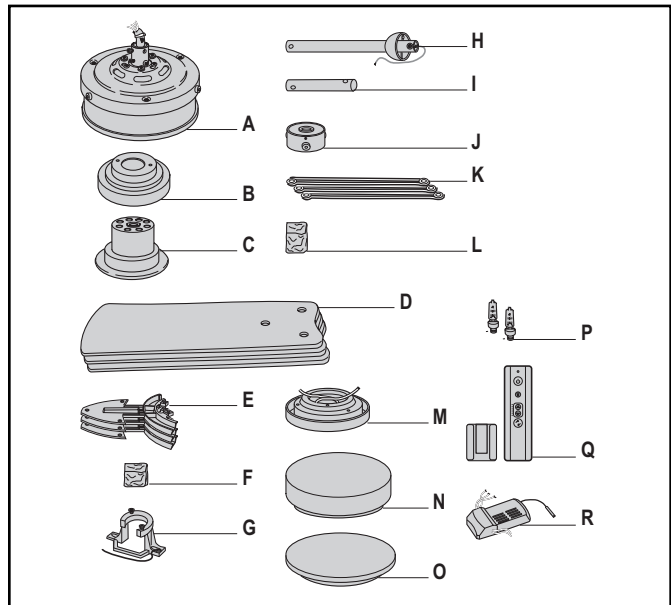
### HARDWARE CONTENTS

Part	Description	Qty.
1	Threaded Studs, #8-32 x 1-1/4"	2
2	Knurled Knobs, #8-32	2
3	Lockwashers, External Tooth, #8	2
4	Wire Connectors	7
5	Clevis Pin	1
6	Hairpin Clip	1
7	1/4-20 x 11mm Pan Head Screws	7
8	10-24 x 9 mm Oval Head Screws	10
9	#8-32 x 10 mm Pan Head Screw w/Lockwashes	1 (spare)
10	Blade Balance Kit	1



### PACKAGE CONTENTS

Part	Description	Quantity
A	Fan Motor/Housing Assembly	1
B	Ceiling Cover	1
C	Motor Coupler Cover	1
D	Fan Blades	3
E	Fan Blades Flanges	3
F	Decorative Blade Nuts (bagged)	9
G	Hanger Bracket	1
H	Hanger Ball/12" Downrod Assembly	1
I	6" Downrod	1
J	Rod Support Assembly	3
K	Decorative Rod Assembly	3
L	Decorative Rod Assembly Screw (bagged)	6
M	Light Kit Plate	1
N	Lower Glass	1
O	Cover Plate	1
P	50-Watt Mini-Candelabra Base Halogen Bulb	2
Q	Remote Control Transmitter, SR401	1
R	Remote Control Receiver	1



**NOTE: The loose parts are individually packaged for ease of installation. Place the parts from the loose parts bags in a small container to keep them from being lost. If any parts are missing, contact your local retailer or catalog outlet for replacement before proceeding.**

### 1.2

Remove the fan assembly from the protective plastic bag. Place the fan assembly into the upper foam pad with the bottom of the motor facing up.

The upper foam pad serves as a holder for the fan during the first stages of assembly.

# 1. Unpacking Instructions (Continued)

**This Manual Is Designed to Make it as Easy as Possible for You to Assemble, Install, Operate and Maintain Your Ceiling Fan**

## Tools Needed for Assembly

One Phillips head screwdriver      One stepladder  
One wire stripper                      One wire cutter

## Materials

Wiring outlet box and box connectors must be of type required by the local code. The minimum wire would be a 3-conductor (2-wire with ground) of following size:

<u>Installed Wire Length</u>	<u>Wire Size A.W.G.</u>
Up to 50 ft.	14
50-100 ft.	12

Your Emerson ceiling fan comes supplied with a Fan/Light Remote Control which consists of a receiver mounted inside the ceiling cover of the fan motor housing. This system allows you to regulate your ceiling fan speed and light ON/OFF.

**NOTE: An optional Emerson Electric SW406 Wall Control may also be used to control your ceiling fan.**

### **WARNING**

Before assembling your ceiling fan, refer to section on proper method of wiring your fan (page 13). If you feel you do not have enough wiring knowledge or experience, have your fan installed by a licensed electrician.

# 2. Electrical Requirements

Your new ceiling fan will require a grounded electrical supply line of 120 volts AC, 60 Hz, 15 amp circuit.

The outlet box must be securely anchored and capable of withstanding a load of at least 50 pounds.

### **WARNING**

To reduce the risk of fire, electric shock, or personal injury, mount fan to outlet box marked "Acceptable for Fan Support of 22.7kg. (50 lbs.) or less", and use screws supplied with outlet box. Most outlet boxes commonly used for support of light fixtures are not acceptable for fan support and may need to be replaced. Consult a qualified electrician if in doubt.

### **WARNING**

Turning off wall switch is not sufficient. To avoid possible electrical shock, be sure electricity is turned off at the main fuse box before wiring. All wiring must be in accordance with National and Local codes and the ceiling fan must be properly grounded as a precaution against possible electrical shock.

If your fan is to replace an existing ceiling light fixture, turn electricity off at the main fuse box at this time and remove the existing light fixture.

### **WARNING**

To avoid fire or shock, follow all wiring instructions carefully.

Any electrical work not described in these instructions should be done or approved by a licensed electrician.

Please call Emerson technical support at 1-800-654-3545 if you have any questions about installation and operation of this ceiling fan.

# 3. Ceiling Fan Assembly

## 3.1

Mount the fan blades to the blade flanges using three 10-24 x 9mm oval head screws and three decorative blade nuts (supplied) (Figure 1).



### WARNING

To reduce the risk of personal injury, do not bend the blade flange when installing the blade flanges, balancing the blades or cleaning the fan. Do not insert foreign objects in between rotating fan blades.

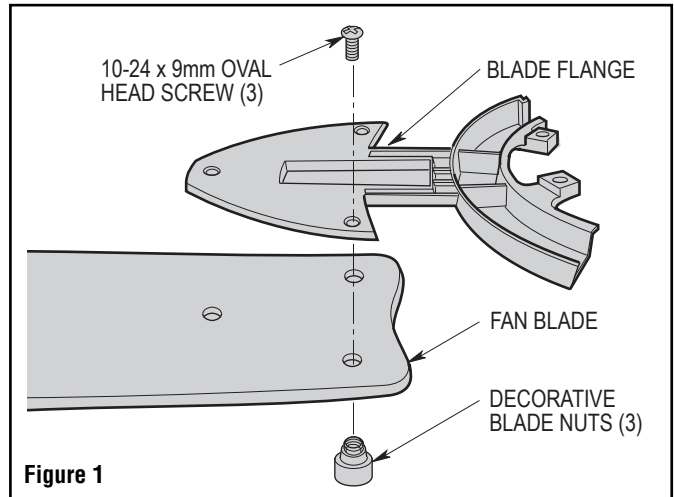


Figure 1

## 3.2

Remove and discard the three shipping retainers securing the motor hub in the motor housing.

**NOTE: Take care not to scratch the fan housing when installing the blade assemblies.**

Rotate the motor hub to position the slot in the motor plate over the fan motor/housing flange hole.

Attach the blade flange assembly on the fan motor/housing by slowly rotating the motor hub to align screw holes. Tighten the 1/4-20 x 11mm pan head screws securely while interlocking the flange assemblies as you rotate the hub (Figure 2).

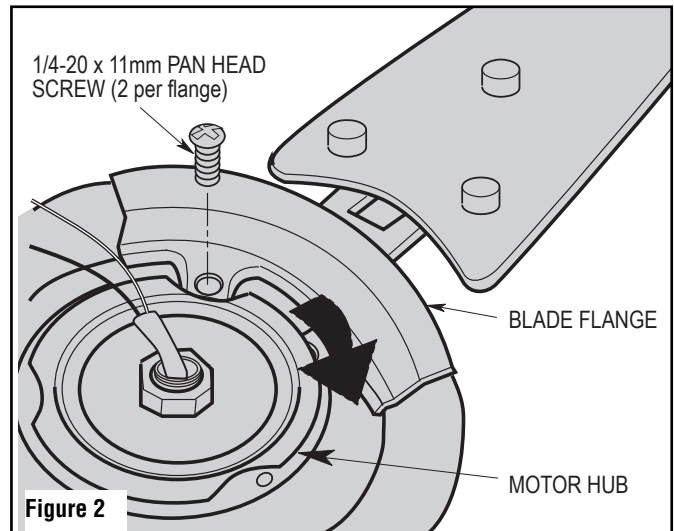


Figure 2

## 3. Ceiling Fan Assembly (Continued)

### 3.3

Your ceiling fan can be assembled with the light kit and glass or without the light kit and glass. To assemble without the light kit and glass, you will use the no-light cover plate. In order to use the no-light cover plate, the light sockets will need to be removed from the light kit plate.

**NOTE:** In order to remove the light sockets, the wires on the light kit plate will need to be cut. **MAKE SURE THIS IS THE NO LIGHT ASSEMBLY DESIRED.**

**NOTE:** If no light kit is to be used on the ceiling fan, disregard Steps 3.3 and 3.4; proceed to “How to Disassemble Your Light Kit for Cover Plate Assembly Only”, then continue to Step 3.5.

Connect the white wire from the light kit plate to the white wire in the fan motor/ housing assembly (Figure 3). Connect the black wire from the light kit plate to the black wire in the fan motor/housing assembly.

**CAUTION:** Before installing and tightening the screws, be sure there are no wires pinched between the light kit plate and the fan motor/housing assembly.

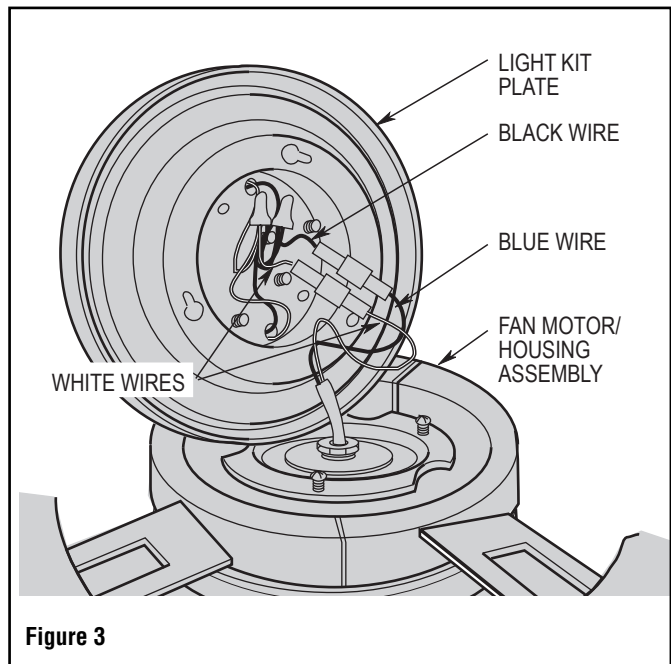


Figure 3

### 3.4

Remove one of the fan motor/housing assembly screw (retain for later use). Position the light kit plate on the fan motor/housing assembly aligning the keyhole slots over the fan motor screws. Rotate the light kit plate clockwise to engage the screws into the keyhole slots. Reinstall the previous removed screw. Tighten the three screws to secure the light kit plate to the fan motor/housing (Figure 4).

A spare #8-32 x 10 mm pan head screw with lockwasher supplied in parts bag, if needed.

### 3.5

Carefully remove the fan assembly from the lower foam pad. Turn the partially assembled ceiling fan over and position it on the lower foam pad. The light kit plate should be resting on the pad so that the top of the motor faces up.

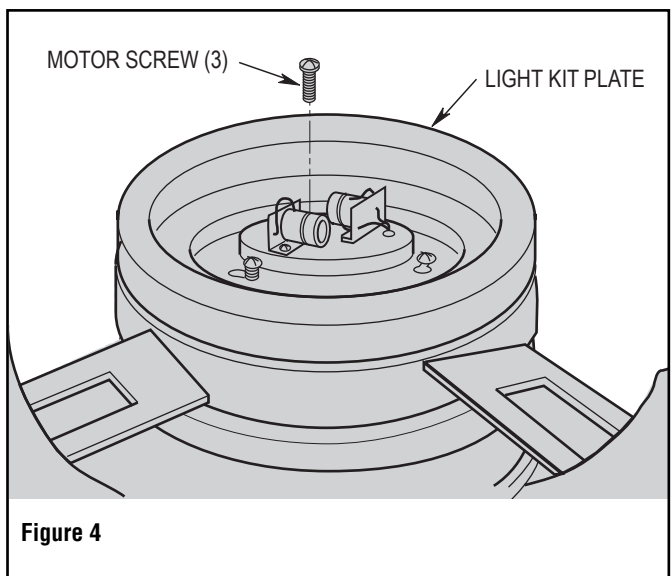


Figure 4

## 3. Ceiling Fan Assembly (Continued)

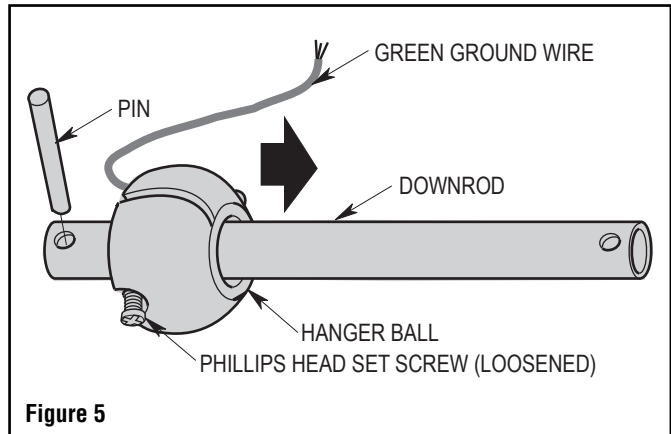
### 3.5

Remove the hanger ball by loosening the Phillips head set screw in the hanger ball until the ball falls freely down the downrod (Figure 5).

Remove the pin from the downrod, then remove the hanger ball (Figure 5).

Retain the pin and hanger ball for reinstallation in Step 3.13.

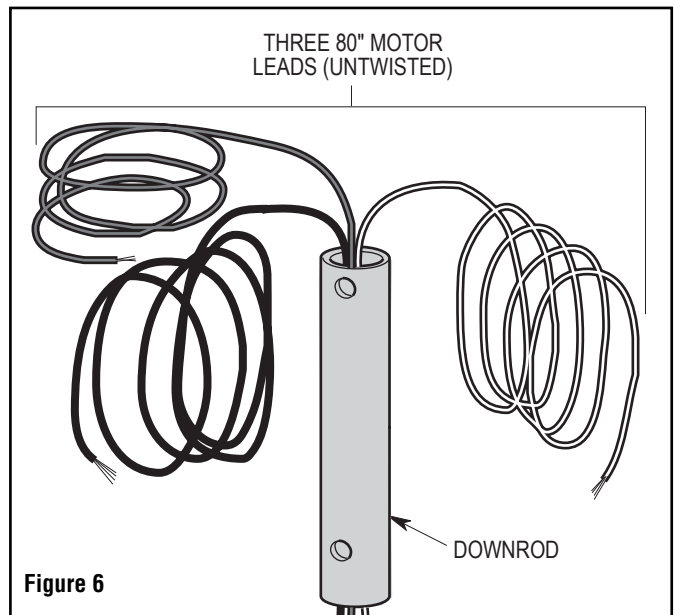
**NOTE: If you have an eight-foot ceiling, you will have to use the 6" downrod (supplied) in order to maintain the necessary blade-to-floor clearance of seven feet.**



### 3.6

Separate, untwist and unkink the three 80" motor leads.

Route the three 80" black, blue, and white motor leads through the downrod (Figure 6).

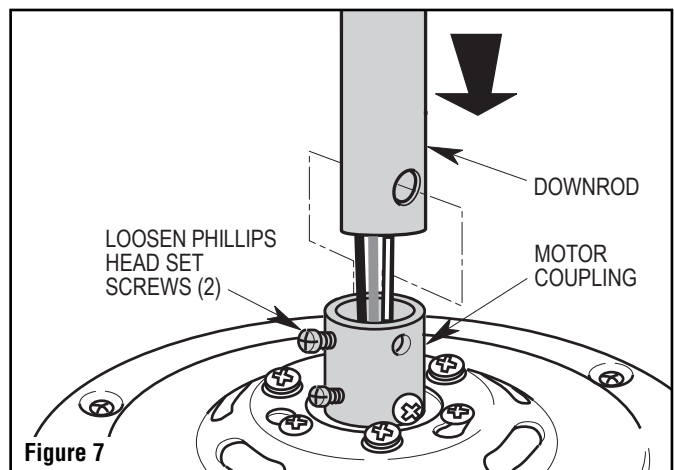


### 3.7

Loosen the two Phillips head set screws in the motor coupler for installation of the downrod (Figure 7).

Seat the downrod in the motor coupler (Figure 7).

Rotate and align the downrod holes with all the holes in the motor coupler (Figure 7).



## 3. Ceiling Fan Assembly (Continued)

### 3.8

Align the clevis pin holes in the downrod with the holes in the motor coupler.

Install the clevis pin and secure with the hairpin clip (Figure 8).

The clevis pin must go through the holes in the motor coupler. It is critical that the clevis pin in the motor coupler is properly installed and securely tightened.

Retighten the two Phillips head set screws to secure the downrod to the motor (Figure 8).

#### **WARNING**

**It is critical that the clevis pin and setscrews in the motor coupler are properly installed and securely tightened. Failure to verify that the pin and setscrews are properly installed could result in the fan falling.**

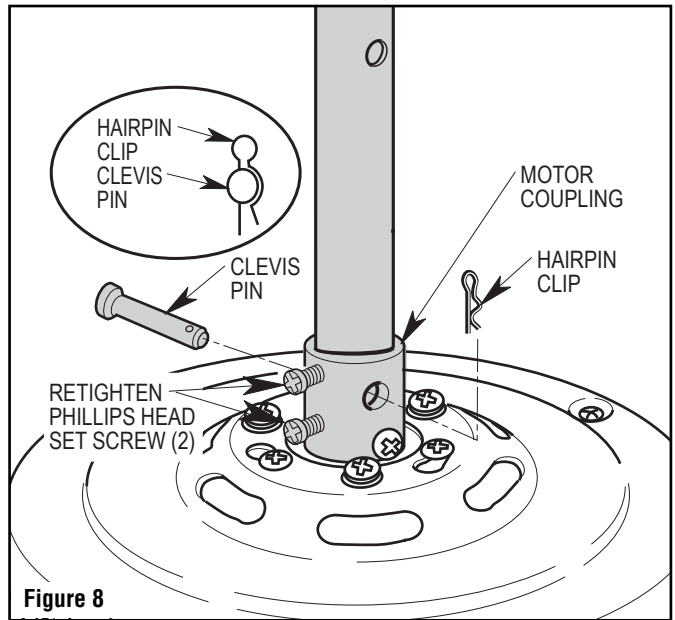


Figure 8

### 3.9

Make sure the grommet is properly installed in the coupler cover, then slide the coupler cover on the downrod until it rests on the motor housing (Figure 9).

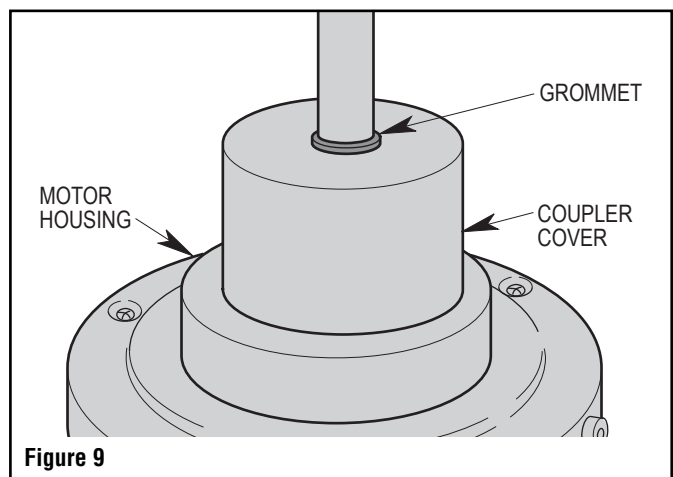


Figure 9

### 3.10

**NOTE: If you installed the 6" downrod, the three decorative rod assemblies and the rod support assembly will not be installed. Disregard Steps 3.11 through 3.12; proceed to Step 3.13.**

Make sure the grommet is properly installed in the rod support assembly. Slide the rod support assembly onto the downrod (Figure 10).

Then position the three screws in the rod support assembly toward the top (Figure 10).

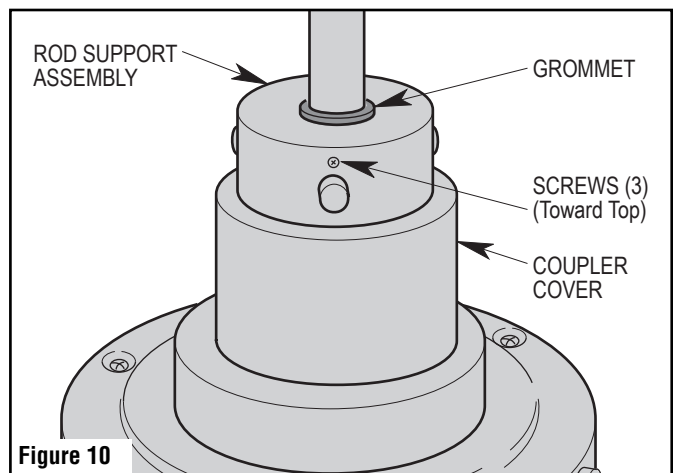


Figure 10



## 3. Ceiling Fan Assembly (Continued)

### 3.11

Using the decorative rod screws (supplied), attach the three decorative rod assemblies to the motor housing (Figure 11). The decorative rods must be oriented so that they lean in towards the downrod. Do not tighten the rod screws at this time.

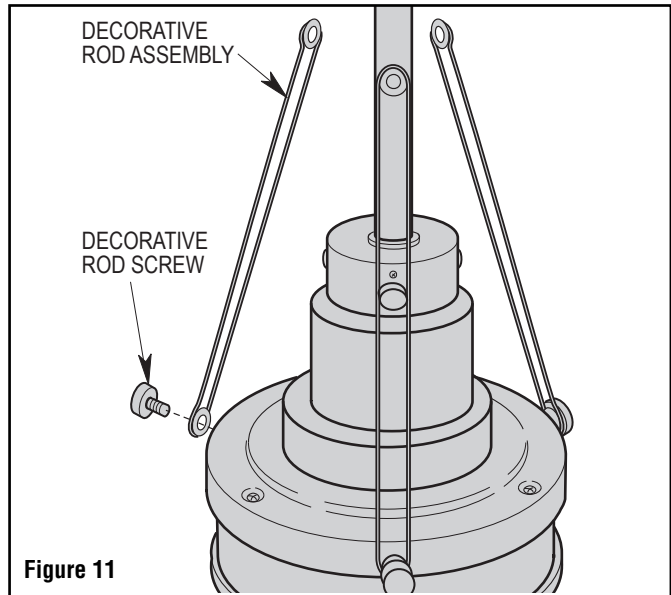


Figure 11

### 3.12

Slide the rod support assembly up the downrod until the threaded holes in the rod support align with the holes in the decorative rod assemblies (Figure 12). Secure the decorative rods to the rod support using three decorative rod screws; do not tighten the rod screws at this time.

Rotate the rod support assembly until the decorative rod assemblies are aligned vertically with the downrod (Figure 12). Hold the rod support in this position while tightening all six decorative rod screws securely.

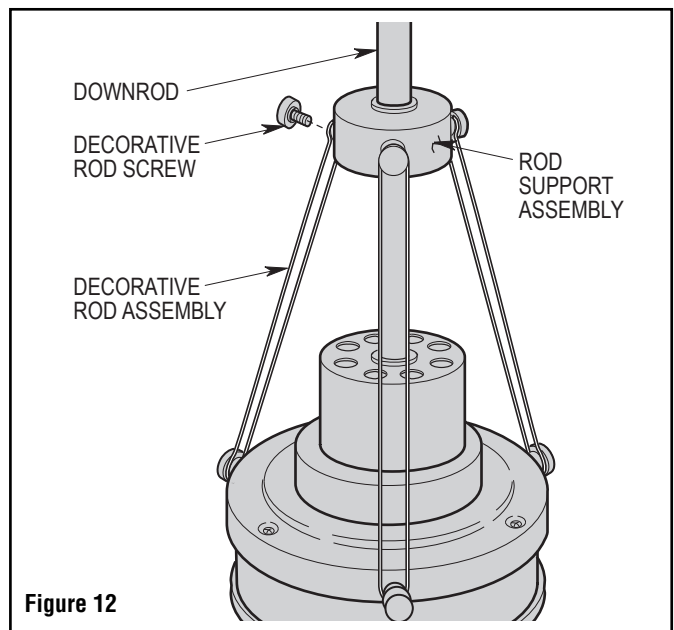
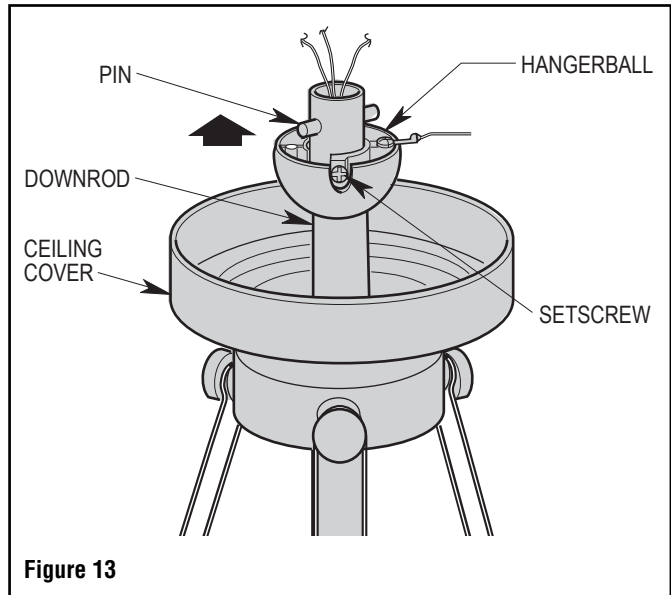


Figure 12

## 3. Ceiling Fan Assembly (Continued)

### 3.13

Place the ceiling cover over the downrod. Then reinstall the hanger ball (Figure 13) on the downrod as follows. Route the three 80" motor leads through the hanger ball and slide the hanger ball over the downrod. Position the pin through the two holes in the downrod and align the hanger ball so the pin is captured in the groove in the top of the hanger ball. Pull the hanger ball up tight against the pin and securely tighten the setscrew in the hanger ball. A loose setscrew could create fan wobble.



### 3.14

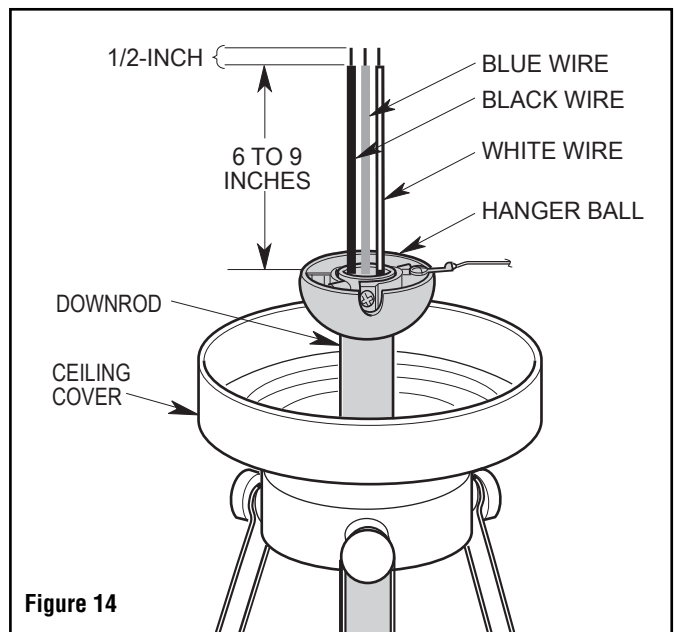
The fan comes with black, blue and white leads that are 80" long.

Measure up approximately 6 to 9-inches above top of hanger ball / downrod assembly (Figure 14).

Cut off excess leads and strip back insulation 1/2-inch from end of leads.

You have now completed the initial assembly of your new ceiling fan. You can now proceed with hanging and wiring your fan.

Please call Emerson technical support at 1-800-654-3545 if you have any questions about installation and operation of this ceiling fan.



## 4. How to Hang Your Ceiling Fan

### **⚠ WARNING**

The fan must be hung with at least 7' of clearance from floor to blades (Figure 15).

### **⚠ WARNING**

Turning off wall switch is not sufficient. To avoid possible electrical shock, be sure electricity is turned off at the main fuse box before wiring. All wiring must be in accordance with National and Local codes and the ceiling fan must be properly grounded as a precaution against possible electrical shock.

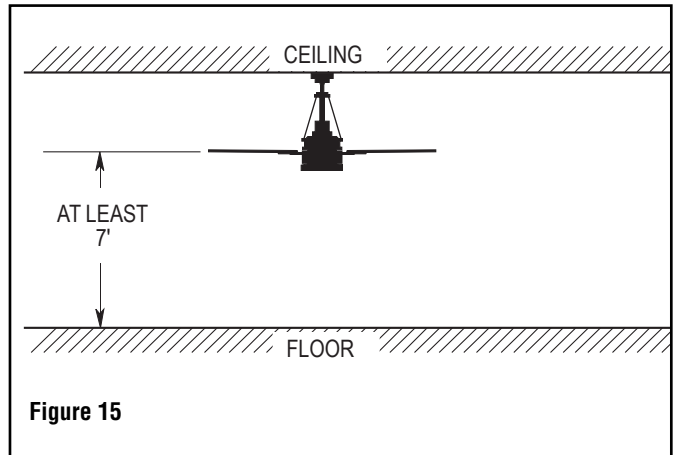


Figure 15

### **⚠ WARNING**

The outlet box and joist must be securely mounted and capable of supporting at least 50 lbs. Use only a U.L. outlet box listed as “Acceptable for Fan Support of 22.7 kg. (50 lbs.) or less”.

### **⚠ WARNING**

To reduce the risk of fire, electric shock, or personal injury, mount fan to outlet box marked “Acceptable for Fan Support of 22.7 kg. (50 lbs.) or less”, and use screws supplied with outlet box. Most outlet boxes commonly used for support of light fixtures are not acceptable for fan support and may need to be replaced. Consult a qualified electrician if in doubt.

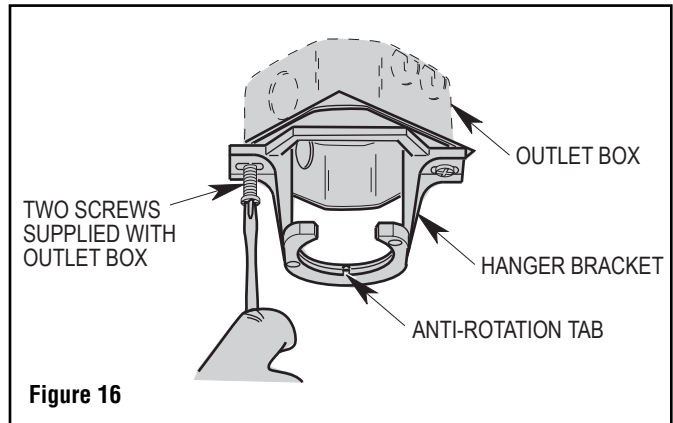


Figure 16

### 4.1

Securely attach the hanger bracket to the outlet box using the two screws supplied with the outlet box. (Figure 16).

### **⚠ WARNING**

Hanger bracket must seat firmly against outlet box. If the outlet box is recessed, remove wall board until bracket contacts box. If bracket and/or outlet box are not securely attached, the fan could wobble or fall.

## 4. How to Hang Your Ceiling Fan (Continued)

### 4.2

Carefully lift the fan and seat the hanger ball/downrod assembly on the hanger bracket that was just attached to the outlet box (Figure 17).

Be sure the groove in the ball is engaged with the anti-rotation tab on the hanger bracket (Figure 17).

#### **WARNING**

Failure to seat tab in groove could cause damage to electrical wires and possible shock or fire hazard.

#### **WARNING**

To avoid possible fire or shock, do not pinch wires between the hanger ball/downrod assembly and hanger bracket.

NOTE: CEILING COVER, SUPPLY WIRES AND FAN WIRES OMITTED FOR CLARITY.

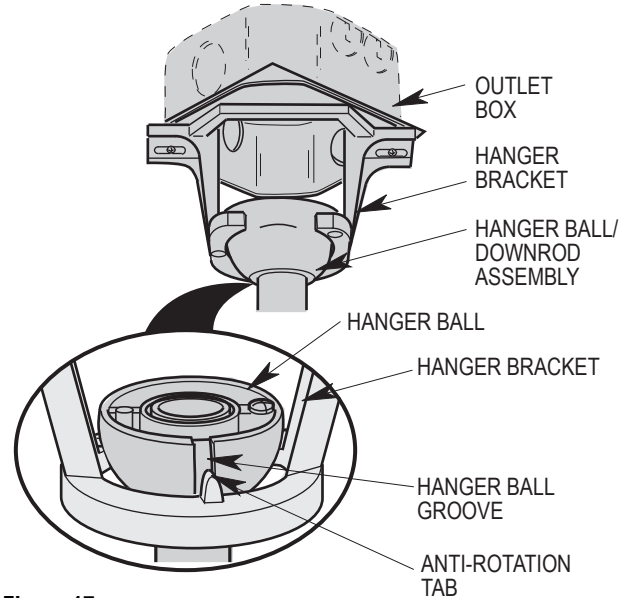


Figure 17

### **INSTRUCTION TO THE USER (if device contains a digital device)**

This equipment has been tested and found to comply with the limits for a class B digital device, pursuant to part 15 of the FCC Rules. These limits are designed to provide reasonable protection against harmful interference in a residential installation. This equipment generates, uses and can radiate radio frequency energy and if not installed and used in accordance with the instructions, may cause harmful interference to radio communications. However, there is no guarantee that interference will not occur in a particular installation. If this equipment does cause harmful interference to radio or television reception, which can be determined by turning the equipment off and on, the user is encouraged to try to correct the interference by one or more of the following measures:

- Reorient or relocate the receiving antenna.
- Increase the separation between the equipment and receiver.
- Connect the equipment into an outlet on a circuit different from that to which the receiver is connected.
- Consult the dealer or an experienced radio/TV technician for help.

This equipment has been certified to comply with the limits for a class B computing device, pursuant to FCC Rules. In order to maintain compliance with FCC regulations, shielded cables must be used with this equipment. Operation with non-approved equipment or unshielded cables is likely to result in interference to radio and TV reception. The user is cautioned that changes and modifications made to the equipment without the approval of manufacturer could void the user's authority to operate this equipment.

This Class B digital apparatus meets all requirements of the Canadian Interference-Causing Equipment Regulations.

# 5. How to Wire Your Ceiling Fan

If you feel that you do not have enough electrical wiring knowledge or experience, have your fan installed by a licensed electrician.

## ⚠ WARNING

To avoid possible electrical shock, be sure electricity is turned off at the main fuse box before wiring.

NOTE: If you are not sure if the outlet box is grounded, contact a licensed electrician for advice, as it must be grounded for safe operation.

## ⚠ WARNING

Turning off wall switch is not sufficient. To avoid possible electrical shock, be sure electricity is turned off at the main fuse box before wiring. All wiring must be in accordance with National and Local codes and the ceiling fan must be properly grounded as a precaution against possible electrical shock.

## 5.1

**CAUTION:** To reduce the risk of electrical shock, disconnect the electrical supply circuit before installing the fan, light kit or receiver.

Disconnect electrical power to the branch circuit at the circuit breaker or fuse box before attempting to wire the ceiling fan.

## ⚠ WARNING

This product is designed to use only those parts supplied with this product and/or any accessories designated specifically for use with this product by Emerson Electric Co. Substitution of parts or accessories not designated for use with this product by Emerson Electric Co. could result in personal injury or property damage.

## 5.2

Locate the electronic receiver and insert its antenna wire into the opening of the hanger bracket above the hanger ball. Continue to insert the body of the receiver (flat side facing up) into the opening, orient as shown. Be careful not to pinch any wires between the receiver body and the bracket or ball (Figure 18).

## ⚠ WARNING

To avoid possible fire or shock, do not pinch the antenna wire between the hanger bracket and the receiver.

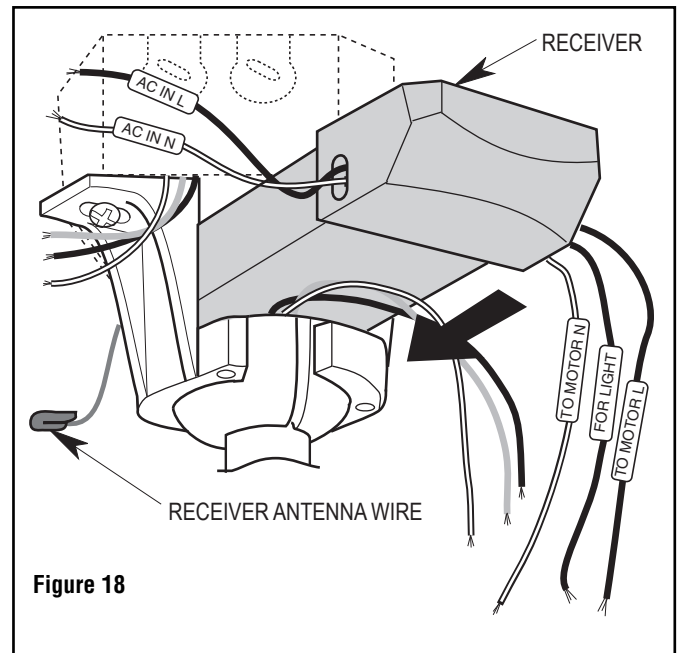


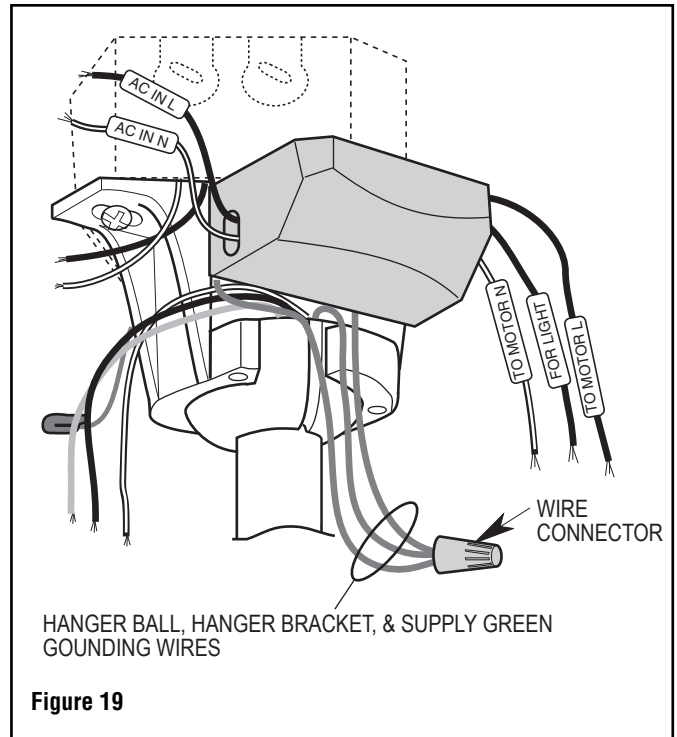
Figure 18

## 5. How to Wire Your Ceiling Fan (Continued)

### 5.3

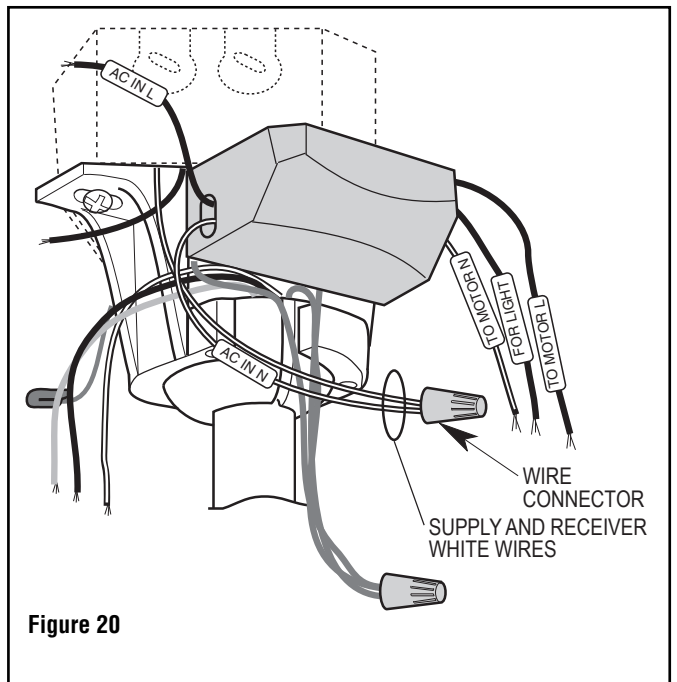
**NOTE:** Make all wiring connections using the wire connectors supplied in the hardware kit and remote control kit. Make sure that all connections are tight, including ground, and that no bare wire is visible at the wire connectors, except for the supply circuit ground wire.

Connect the green grounding lead from the hanger ball and the green grounding lead from the hanger bracket to the grounding conductor of supply (this may be a bare wire or wire with green colored insulation). Securely connect wires with wire connectors (supplied in parts bag) (Figure 19).



### 5.4

Securely connect the receiver white wire (AC IN N) to the supply white wire (neutral) using the wire connector (supplied in parts bag) (Figure 20).



## 5. How to Wire Your Ceiling Fan (Continued)

### 5.5

Securely connect the receiver black wire (AC IN L) to the supply black wire (hot) using the wire connector (supplied in parts bag) (Figure 21).

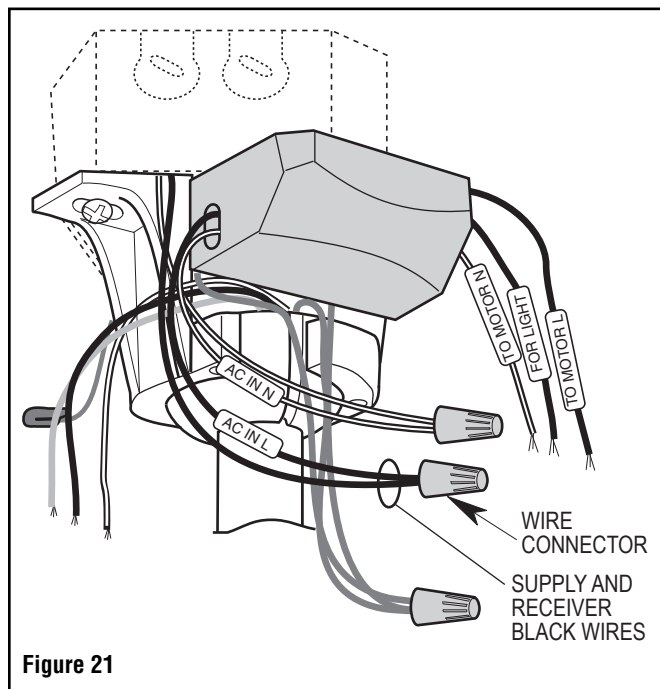


Figure 21

### 5.6

Securely connect the receiver white wire (TO MOTOR N) to the fan motor white wire using the wire connector (supplied in parts bag) (Figure 22).

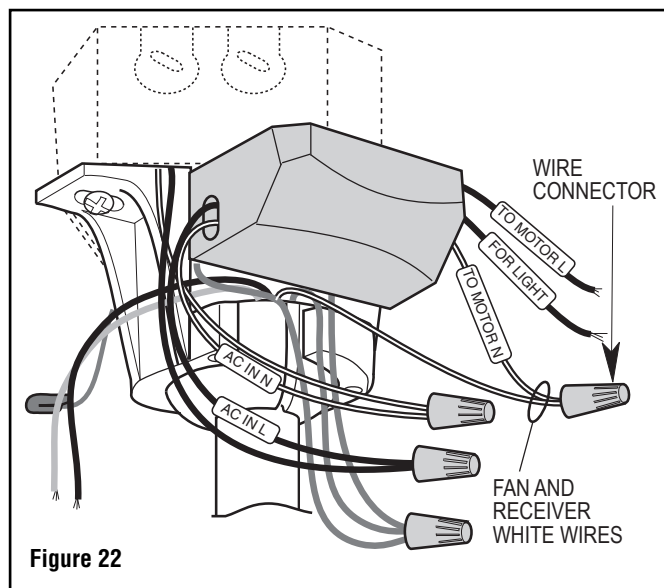


Figure 22

## 5. How to Wire Your Ceiling Fan (Continued)

### 5.7

Securely connect the receiver black wire (TO MOTOR L) to the fan motor black wire using the wire connector (supplied in parts bag) (Figure 23).

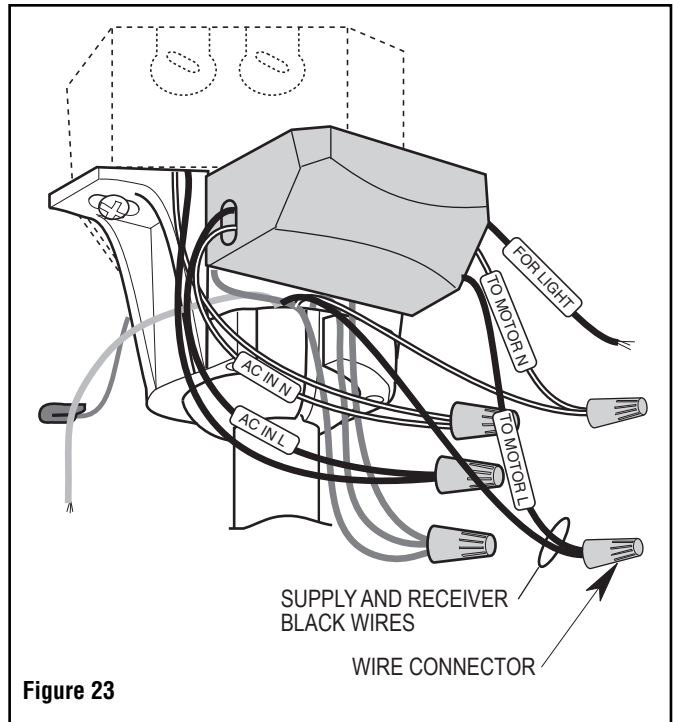


Figure 23

### 5.8

Securely connect the receiver blue wire (TO LIGHT) to the fan motor blue wire using the wire connector (supplied in parts bag) (Figure 24).

#### **⚠ WARNING**

Check to see that all connections are tight, including ground, and that no bare wire is visible at the wire connectors, except for the supply circuit ground wire. Do not operate fan until blades are in place. Noise and fan damage could result.

**NOTE:** Failure to properly connect the receiver wires will damage the device and render it non-operable.

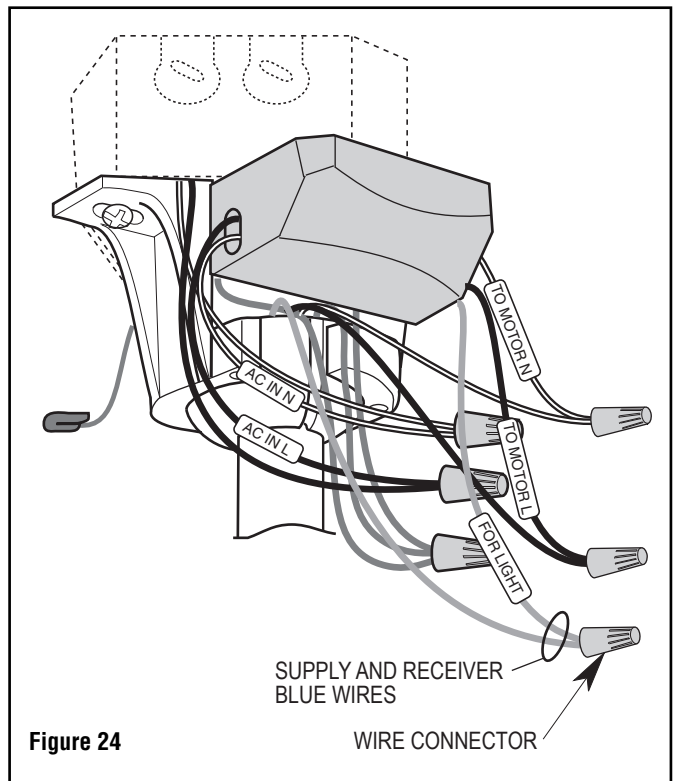


Figure 24



# 5. How to Wire Your Ceiling Fan (Continued)

## 5.9

While inserting the receiver fully into the hanger bracket, turn leads upward and carefully push leads into the outlet box, with the white and green leads on one side of the outlet box and position the black and blue leads on the other side of the outlet box (Figure 25).

### **⚠ WARNING**

Check to see that all connections are tight, including ground, and that no bare wire is visible at the wire connectors, except for the ground wire. Do not operate fan until blades are in place. Noise and fan damage could result.

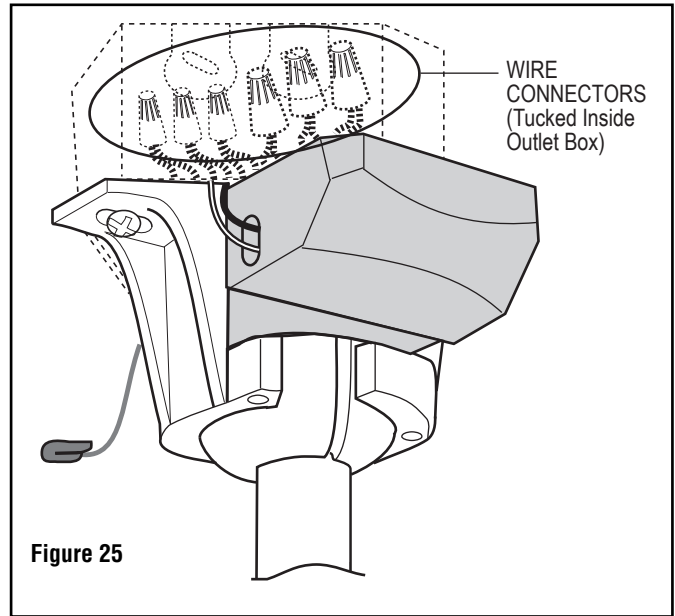


Figure 25

## 5.10

Wiring Schematic for reference (Figure 26).

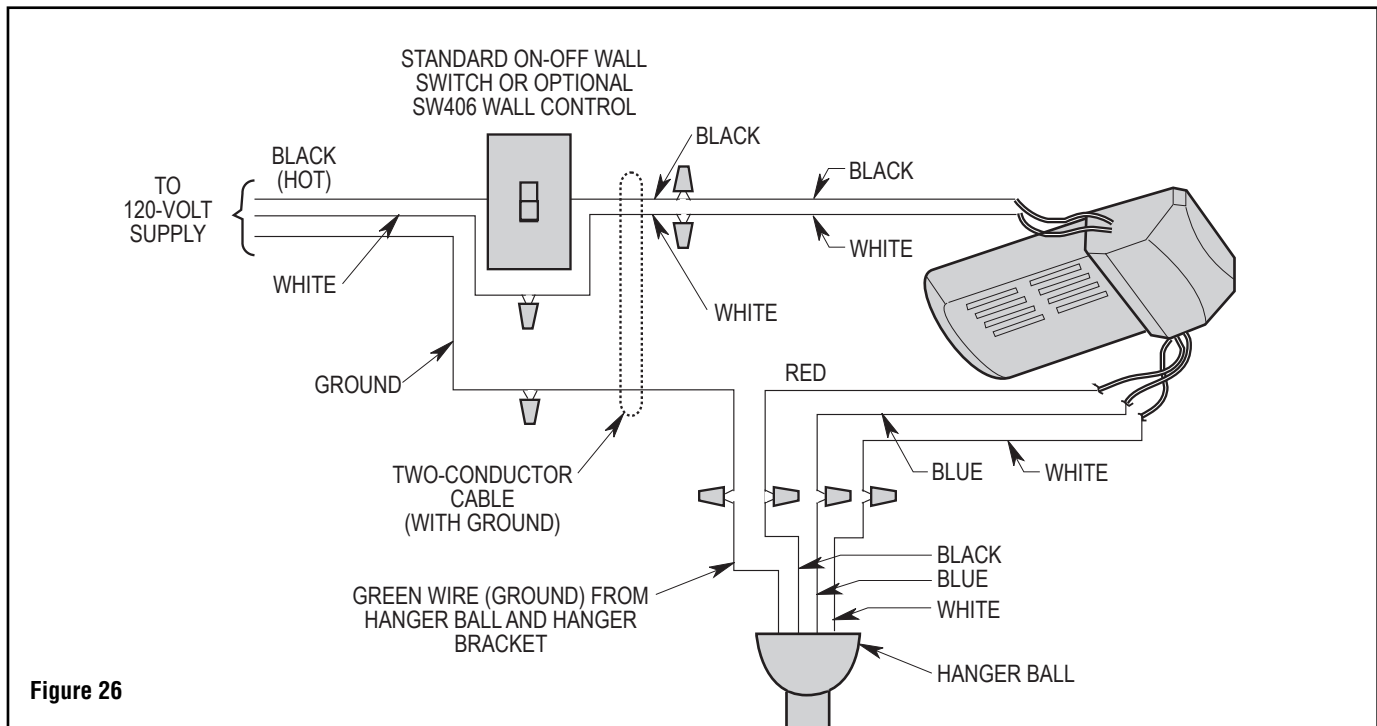


Figure 26

## 6. Ceiling Cover Installation

### 6.1

Screw the 1-1/4" threaded studs into the threaded holes on the bottom of the hanger bracket with your fingers (Figure 27).

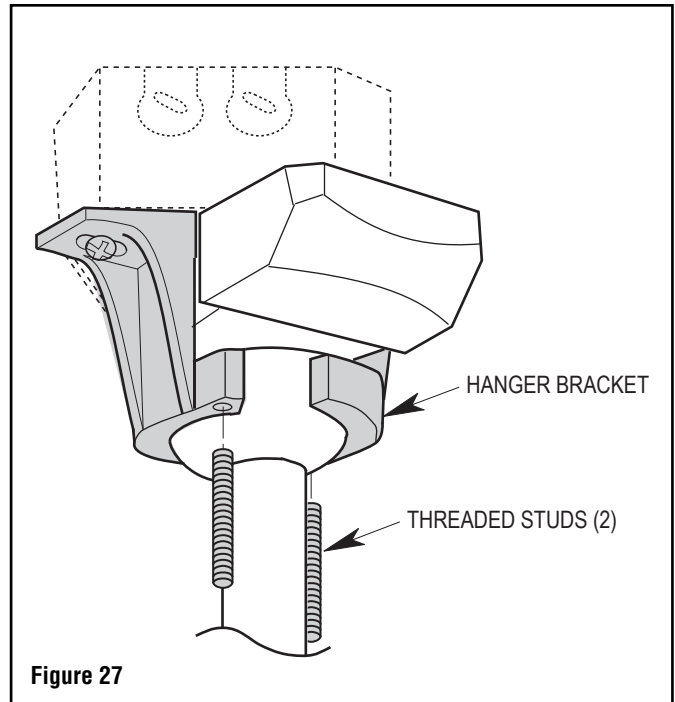


Figure 27

### 6.2

Lift the ceiling cover up to the threaded studs and turn until studs protrude through the holes in the ceiling cover (Figure 28).

Secure the ceiling cover in place by sliding lockwashers over the threaded studs and installing the two knurled knobs (supplied in parts bag). (Figure 28).

Tighten the knurled knobs securely until the ceiling cover fits snugly against the ceiling and the hole in the ceiling cover is clear of the downrod.

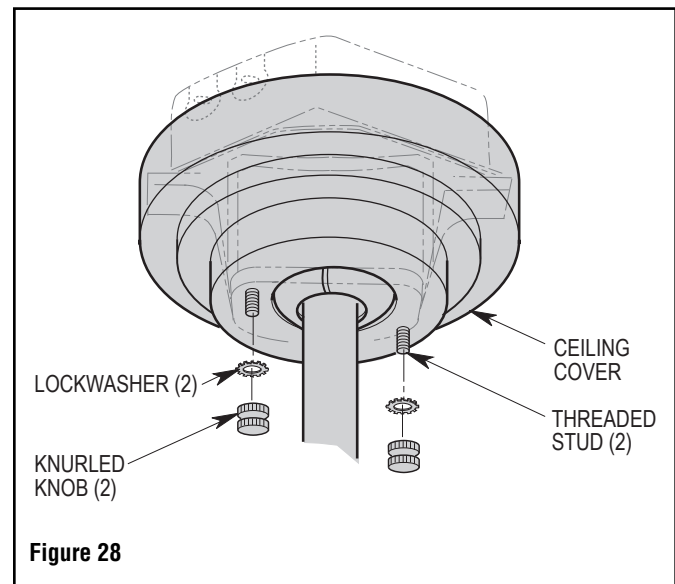


Figure 28

#### **⚠ WARNING**

To avoid possible fire or shock, make sure that the electrical wires are completely inside the outlet box and not pinched between the ceiling cover and the ceiling.

#### **⚠ WARNING**

To avoid possible fire or shock, make sure that antenna wire is not pinched between the ceiling cover and the ceiling.

# 7. Final Installation

## **⚠ WARNING**

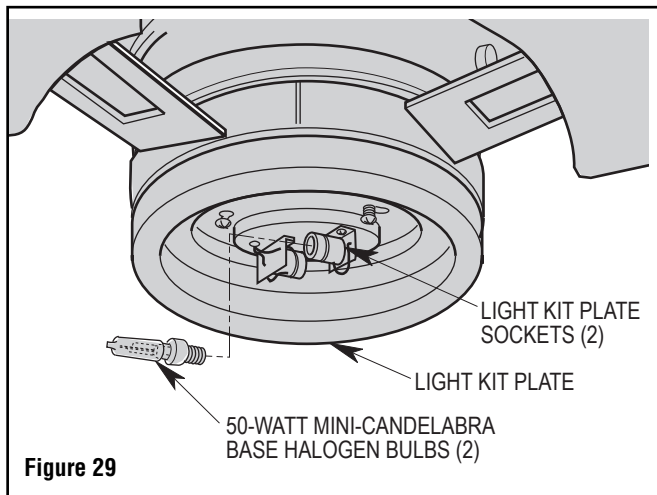
Turning off wall switch is not sufficient. To avoid possible electrical shock, be sure electricity is turned off at the main fuse box before wiring. All wiring must be in accordance with National and Local codes and the ceiling fan must be properly grounded as a precaution against possible electrical shock.

### 7.1

Screw the two 50-watt mini-candelabra base halogen bulbs (supplied) into the light kit plate sockets (Figure 29). Do not touch the glass bulb; use the porcelain base to screw in the bulb, or wear soft gloves.

**CAUTION:** To avoid risks of burns or other injury, assure power is off before attempting to install or replace the halogen bulbs.

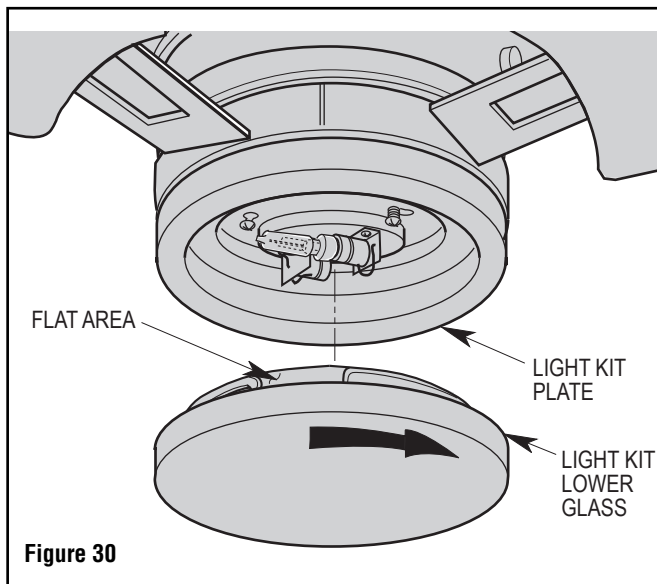
**NOTICE:** Do not touch halogen bulbs with bare hands. Fingerprints may result in shorter bulb life. Remove fingerprints with alcohol.



### 7.2

Place the lower glass into the light fitter, aligning the three flat areas on the top flange of the lower glass with the three pins on the inside of the fitter (Figure 30). Then turn the lower glass clockwise until it stops turning.

Your ceiling fan is now installed and wired to be controlled by your wall control.



## 8. Disassemble Your Light Kit for Cover Plate Assembly Only

### WARNING

Turning off wall switch is not sufficient. To avoid possible electrical shock, be sure electricity is turned off at the main fuse box before wiring. All wiring must be in accordance with National and Local codes and the ceiling fan must be properly grounded as a precaution against possible electrical shock.

**CAUTION:** To reduce the risk of electrical shock, disconnect the electrical supply circuit before installing the fan, light kit or receiver.

### 8.1

Detach the light kit plate from the fan motor/housing assembly by removing one screw and loosening the two other screws (located in the keyholes). Rotate the light kit plate counter-clockwise to disengaging the screws in the two key hole slots (Figure 31).

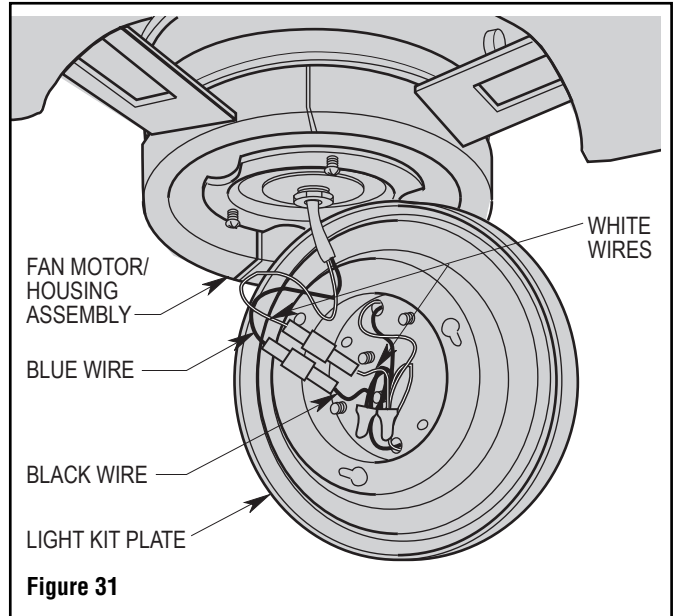


Figure 31

### 8.2

Disconnect the black wire of the light kit plate from the black wire of the fan motor/housing assembly. Disconnect the white wire of the light kit plate from the white wire of the fan motor/housing assembly (Figure 32).

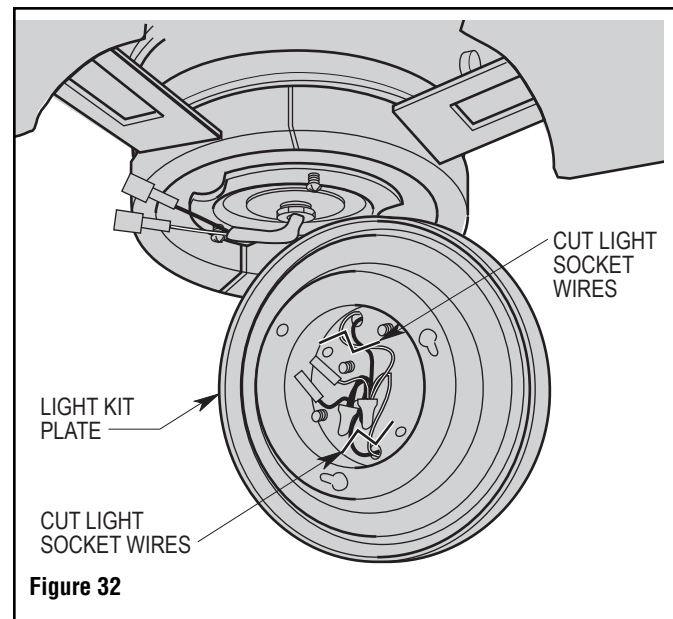
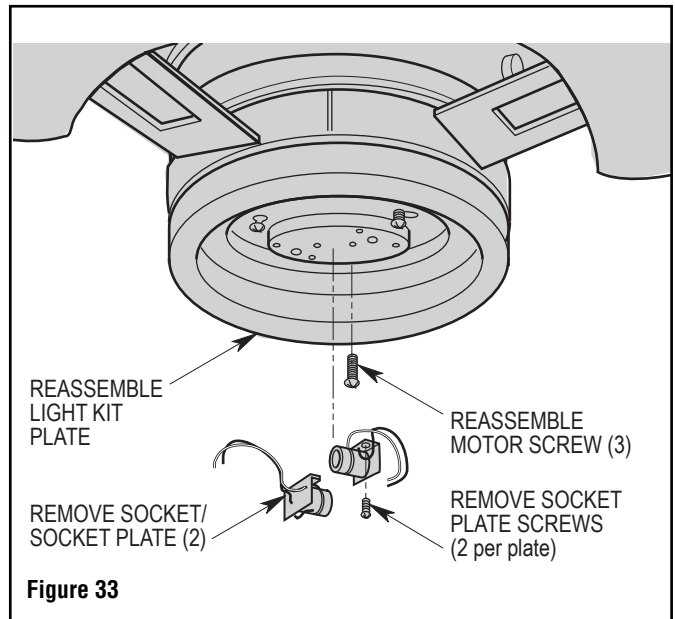


Figure 32

## 8. Disassemble Your Light Kit for Cover Plate Assembly Only (Continued)

### 8.3

Cut light socket wires using wire cutters. Unscrew the screws that is securing the socket plates to the light kit plate. Pull socket wiring through light kit plate holes to completely disengage the light sockets from light kit plate (Figure 33).



### 8.4

Carefully tuck blue and white wires from motor up into the fan motor/housing assembly (Figure 34).

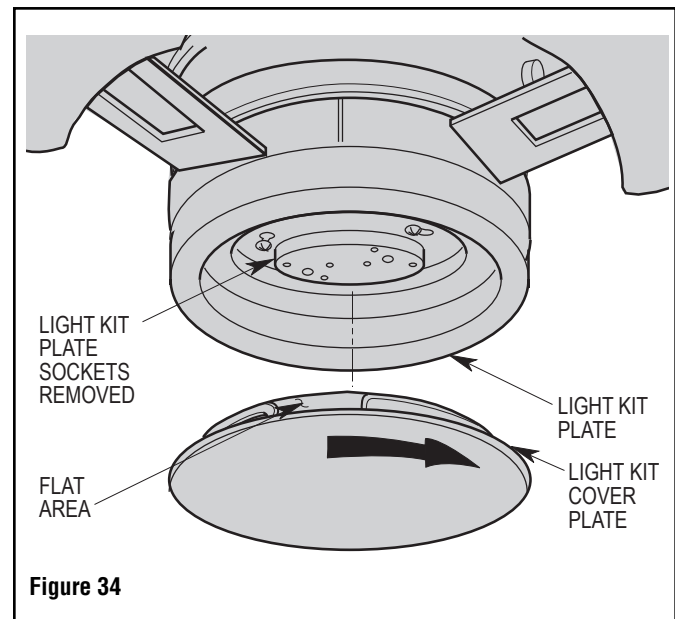
Place the cover plate onto the fan motor/housing aligning the three flat areas on the top flange of the cover plate with the three pins on the inside of the fan motor/housing (Figure 34).

Then turn the cover plate clockwise until it stops turning.

Your cover plate is now installed.

#### **WARNING**

To avoid possible fire or shock, make sure that the electrical wires are completely tucked inside the lower assembly and not pinched by the cover plate.



# 9. Remote Control Procedures

## 9.1: Preset Memory Feature

Your Emerson receiver is equipped with a preset memory feature. If the AC supply to the receiver is powered through a wall switch, when the switch is turned OFF, the control will remember the light intensity and fan speed.

When the switch is turned back ON the light and fan will resume operation as they were prior to the switch being turned OFF.

## 9.2: Installation of Batteries

The remote control transmitter is powered by two AAA alkaline batteries (not included).

To prevent possible battery leakage damage, be sure to remove the batteries when the control is not to be used for an extended period of time.

Remove the battery cover by pressing firmly below the arrow and sliding the cover off the remote control.

Install two new AAA alkaline batteries into the battery compartment following the correct battery placement printed on the compartment (Figure 35).

**NOTE: Never use old and new batteries together in unit.**

Replace the battery compartment cover by sliding the cover back onto the remote control.

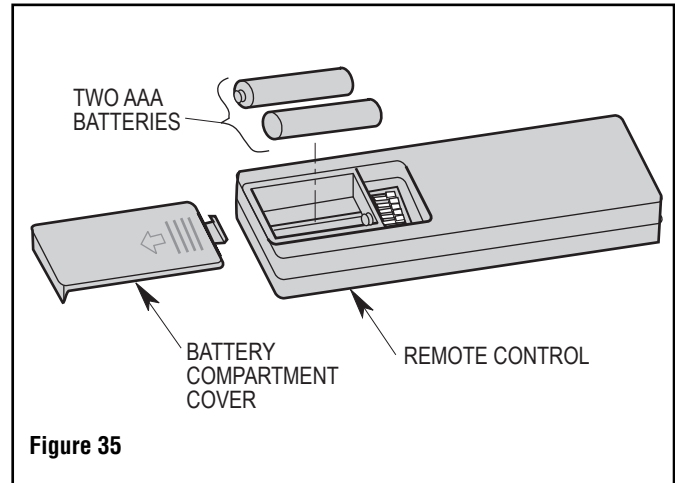


Figure 35

## 9.3: Setting Operating Frequency of Remote Control

Remove the battery cover by pressing firmly below the arrow and sliding the cover off the control (Figure 36).

Your remote control has code switches which must be set in one of 32 possible code combinations.

The five levers (numbered 1, 2, 3, 4, and 5) on the switches are factory-set in the ON (up) position. Change the switch settings as follows:

Slide the five switch levers in the remote control to your choice of ON (up) or down positions. Use a ball-point pen or small screwdriver and slide the levers firmly up or down (Figure 36).

The sixth switch marked ON and I is for dimming control of lights: Set switch to ON to allow for dimming of the lights. Set switch to I for no dimming of the lights such as for fluorescent bulbs.

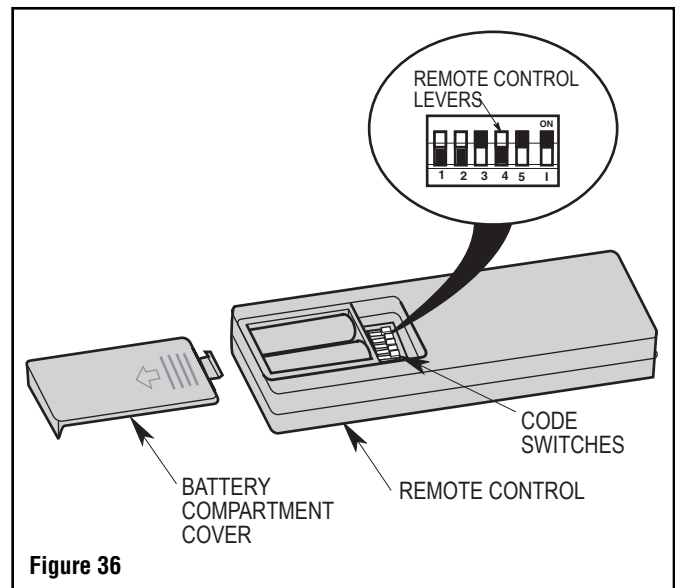



Figure 36

**NOTE: If your fan and light go on and off without using your control, you may be getting interference from other remote units such as garage door openers, car alarms or security systems.**

To remedy this situations, simply change the combination code in your remote control transmitter.

## 9. Remote Control Procedures (Continued)

### 9.4

When power is restored, push and hold the fan OFF button (  ) for 3 to 5 seconds to set the code in the receiver (Figure 37).

**NOTE: The power indicator light on the remote control will flash when the code is set.**

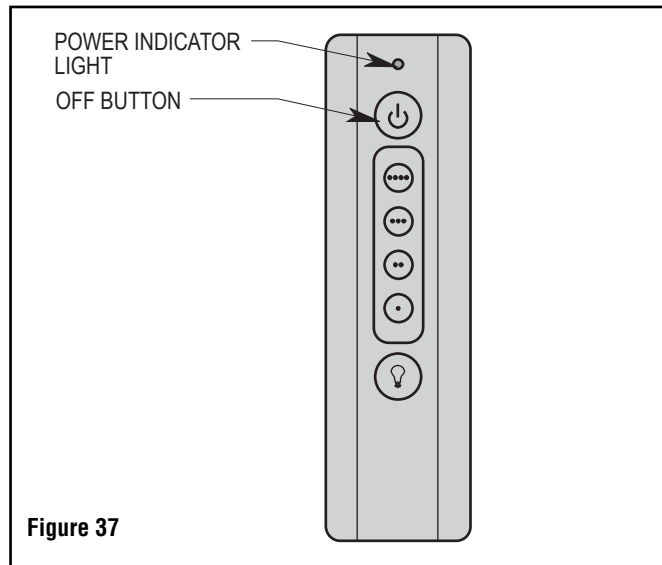


Figure 37

### WARNING

Fan installation must be completed, including the installation of the fan blades, before testing the remote control.

### 9.5

Your Emerson Ceiling Fan consists of hand-held remote control transmitter and a receiver which is mounted under the fan ceiling cover.

The remote control is designed to separately control your ceiling fan speed and light intensity (Figure 38).

There are four push buttons (•, ••, •••, ••••) to set the fan speed and turn the fan off.

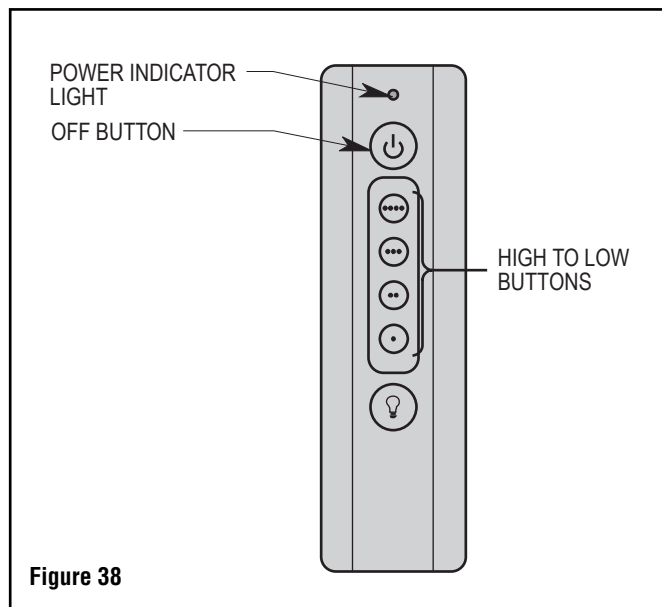


Figure 38

## 9. Remote Control Procedures (Continued)

### 9.6

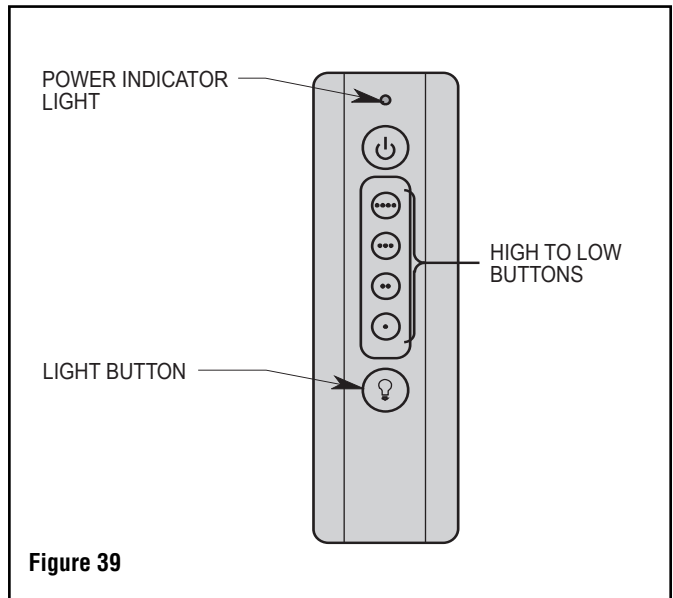
The light (💡) push button turns the light on and off and controls the light intensity (Figure 39).

To vary the intensity of the light, hold the (💡) button down until the desired light intensity is reached, then release the button (Figure 39).

**NOTE: When turning the light on, light will turn on at the light intensity previously selected.**

Your remote control has full control of your fan and light.

The power indicator light (blue glow) will illuminate while any button is pressed, indicating that the battery is good.

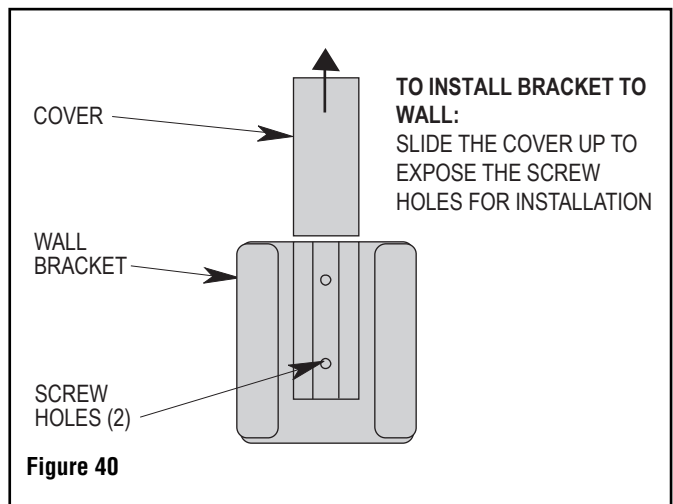


### 9.7: Storage Bracket Installation

A storage bracket is provided for holding your remote control when not in use. If you desire to use the bracket, install it on a wall that is away from excess heat or humidity.

Slide the wall bracket cover up to expose the screw holes for installation (Figure 40).

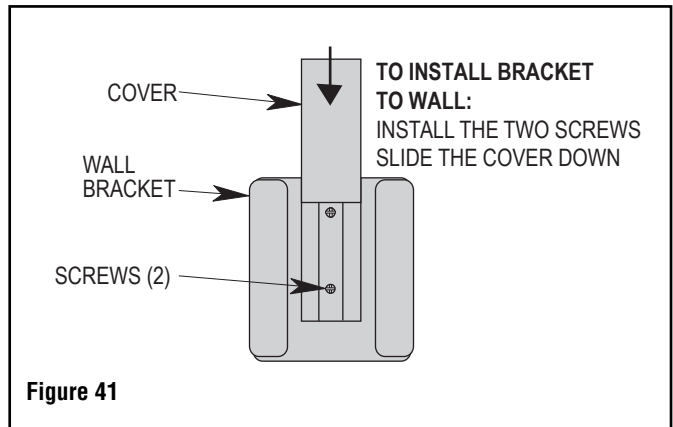
Position the bracket on the wall in desired location.



### 9.8: Storage Bracket Installation

Install the two screws (provided with bracket) into the wall bracket and tighten to secure to wall (Figure 41).

Slide the wall bracket cover back down over the screws.





# 10. Reverse Switch Operation

## 10.1

Restore electrical power to the outlet box by turning the electricity on at the main fuse box.

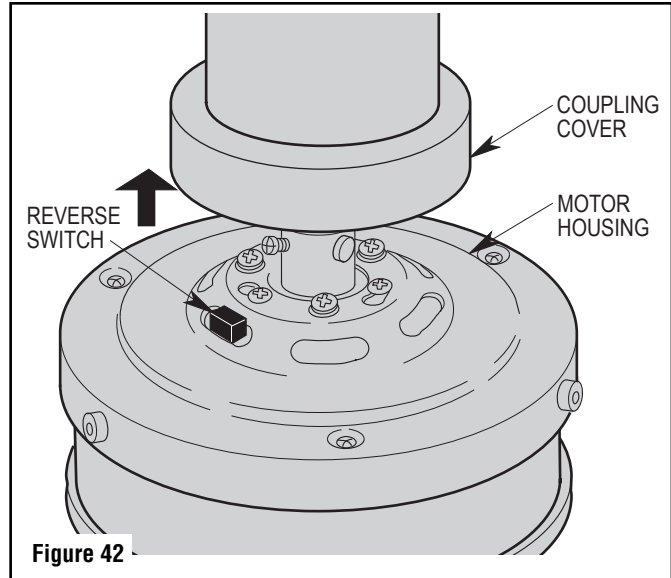
All fans are shipped from the factory with the reversing switch positioned “left” to circulate air downward.

If airflow is desired in the opposite direction, turn the fan off and wait for the blades to stop turning.

Then slide the coupling cover up, push the reversing switch in opposite direction (Figure 42).

Slide coupling cover down to rest on motor housing and turn the fan on again. The blades will turn in the opposite direction and reverse the airflow.

The fan blades will turn in the opposite direction and reverse the airflow.



### Reverse Switch Information

Season	Rotation Direction	Switch Position
Summer	Counter-Clockwise	Left
Winter	Clockwise	Right

# 11. Accessories

See your local Emerson dealer, [www.emersonfans.com](http://www.emersonfans.com) or the Emerson Ceiling Fan catalog for these accessories:

- Ceiling Fan Receiver / Remote Controls
- Downrod Extension Kits
- Slope Ceiling Kit

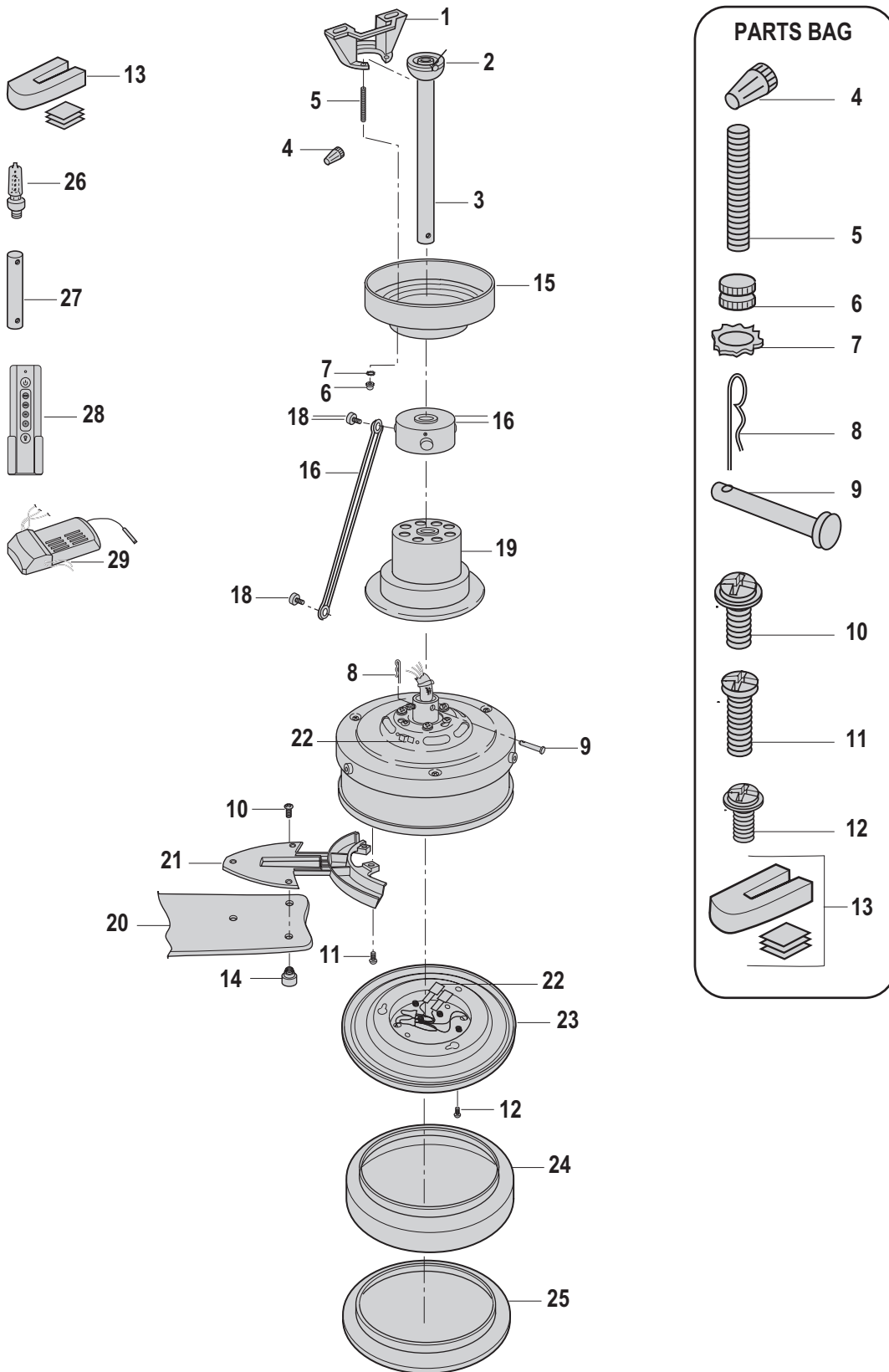
### **⚠ WARNING**

The use of any other control not specifically approved for this fan could result in fire, shock and personal injury.

### **⚠ WARNING**

This product is designed to use only those parts supplied with this product and/or any accessories designated specifically for use with this product by Emerson Electric Co. Substitution of parts or accessories not designated for use with this product by Emerson Electric Co. could result in personal injury or property damage.

# 12. Repair Parts



# 12. Repair Parts Listing

Key No.	Description	Model Numbers			
		CF205BS01	CF205GES01	CF205GRT01	CF205VS01
*	Hanger Pack, Consisting of:	761655-74	761655-39	761655-103	761655-91
1	Hanger Bracket	—	—	—	—
2	Hanger Ball	—	—	—	—
3	12" Downrod	—	—	—	—
*	Parts Bag, Containing:	763596	763596-1	763596-1	763596-1
4	Wire Connector (7)	—	—	—	—
5	Threaded Stud, 8-32 x 1-1/4" (2)	—	—	—	—
6	Knurled Knob (2)	—	—	—	—
7	Lockwasher (2)	—	—	—	—
8	Hairpin Clip	—	—	—	—
9	Clevis Pin	—	—	—	—
10	Screw, Oval Head, 10-24 x 9 mm (10)	—	—	—	—
11	Screw, Pan Head, 1/4-20 x 11 mm (7)	—	—	—	—
12	Screw, Pan Head, #8-32 x 10 mm and lockwashers (1)	—	—	—	—
13	Blade Balance Kit	—	—	—	—
14	Decorative Blade Nuts (9)	763599-BS	763599-GES	763599-GRT	763599-VS
15	Cover, Ceiling	763592-BS	763592-GES	763592-GRT	763592-VS
16	Support Assembly, Rod	762709-BS	762709-GES	762709-GRT	762709-VS
17	Rod Assembly, Decorative (3)	762710-BS	762710-GES	762710-GRT	762710-VS
18	Screw, Decorative Rod (6)	762711-BS	762711-GES	762711-GRT	762711-VS
19	Cover, Coupler	762708-BS	762708-GES	762708-GRT	762708-VS
20	Blade Set (full set for one fan)	763601	763601-1	763601-CR/TM	763601-2
21	Flange Set (full set for one fan)	763597-BS	763597-GES	763597-GRT	763597-VS
22	Harness Assembly, Wiring	763595	763595	763595	763595
23	Fitter Assembly, Light	763603-BS	763603-GES	763603-GRT	763603-VS
24	Glass, Lower	763605	763605-1	763605	763605-2
25	Cover Plate	763609-BS	763609-GES	763609-GRT	763609-VS
26	Bulb, Halogen, 50-watt Mini-Candelabra Base	—	—	—	—
27	Downrod, 6"	761631-32	761631-44	761631-117	761631-104
28	Transmitter, Remote Control, SR401	764090	764090	764090	764090
29	Receiver	764089	764089	764089	764089
—	Owner's Manual	BP7375-3	BP7375-3	BP7375-3	BP7375-3

**Before discarding packaging material, be certain all parts have been removed.**

## HOW TO ORDER REPAIR PARTS

WHEN ORDERING REPAIR PARTS, ALWAYS GIVE THE FOLLOWING INFORMATION:

- PART NUMBER
- NAME OF ITEM
- PART DESCRIPTION
- MODEL NUMBER

The model number of your Fan will be found on a label attached to the top housing.

For repair parts, phone 1-800-654-3545.

# 13. Maintenance

## IMPORTANT CARE INSTRUCTIONS for your Ceiling Fan

Periodic cleaning of your new ceiling fan is the only maintenance that is needed.

When cleaning, use only a soft brush or lint free cloth to avoid scratching the finish.

Abrasive cleaning agents are not required and should be avoided to prevent damage to finish.



### WARNING

Do not use water when cleaning your ceiling fan. It could damage the motor or the blades and create the possibility of an electrical shock.

# 14. Troubleshooting



### WARNING

FOR YOUR OWN SAFETY TURN OFF POWER AT FUSE BOX OR CIRCUIT BREAKER BEFORE TROUBLESHOOTING YOUR FAN.

TROUBLE	PROBABLE CAUSE	SUGGESTED REMEDY
1. Fan will not start.	<ol style="list-style-type: none"> <li>1. Fuse or circuit breaker blown.</li> <li>2. Reversing switch in neutral position.</li> </ol>	<ol style="list-style-type: none"> <li>1. Check main and branch circuit fuses or circuit breakers.</li> </ol> <div style="border: 1px solid black; padding: 5px; margin: 5px 0;"> <b>WARNING</b>            Make sure main power is turned OFF.         </div> <ol style="list-style-type: none"> <li>2. Make sure reversing switch position is all the way to one side.</li> </ol>
2. Fan sounds noisy.	<ol style="list-style-type: none"> <li>1. Blades not attached to fan.</li> <li>2. Loose screws in motor housing.</li> <li>3. Screws securing fan blade flanges to motor hub are loose.</li> <li>4. Screws holding blades to flanges are loose.</li> </ol>	<ol style="list-style-type: none"> <li>1. Attach blades to fan before operating.</li> <li>2. Check to make sure all screws in motor housing are snug (not over-tight).</li> <li>3. Check to make sure the screws which attach the fan flanges to the motor hub are tight.</li> <li>4. Tighten screws securely.</li> </ol>
3. Fan wobbles excessively.	<ol style="list-style-type: none"> <li>1. Setscrews in motor coupler are loose.</li> <li>2. Setscrew in hanger ball/downrod assembly is loose.</li> <li>3. Screws securing fan blade flanges to motor are loose.</li> <li>4. Fan blade flanges not seated properly.</li> <li>5. Hanger bracket and/or ceiling outlet box is not securely fastened.</li> <li>6. Fan blades out of balance.</li> </ol>	<ol style="list-style-type: none"> <li>1. Tighten both setscrews securely in the motor coupler.</li> <li>2. Tighten the setscrew in the hanger ball/downrod assembly.</li> <li>3. Check to be sure screws which attach the fan blade flanges to the motor are tight.</li> <li>4. Check to be sure the fan blade flanges seat firmly and uniformly to the surface of the motor. If flanges are seated incorrectly, loosen the flange screws and retighten according to the procedure in the section on "Ceiling Fan Assembly".</li> <li>5. Tighten the hanger bracket screws to the outlet box, and/or secure outlet box.</li> <li>6. Interchanging an adjacent (side-by-side) blade pair can redistribute the weight and result in smoother operation.</li> </ol>

# Emerson Air Comfort Ceiling Fan Limited Warranty

## **What The Limited Warranty Covers:**

This limited warranty is offered by Air Comfort Products division of Emerson Electric Co. ("Emerson" "we" or "us") located at the address stated below to the original retail purchaser ("you" or "your") of an Emerson Air Comfort Ceiling Fan product ("Emerson Ceiling Fan") and covers the motor and the other components and accessories of the Emerson Ceiling Fan against all defects in workmanship and materials.

## **What The Period Of Coverage Is:**

This limited warranty will cover the Emerson Ceiling Fan motor for the expected lifetime of your Emerson Ceiling Fan (when operated in accordance with your Owner's Manual or other instructions provided by Emerson to you with the Emerson Ceiling Fan). All other components and accessories of the Emerson Ceiling Fan are covered by this limited warranty for a period of one (1) year from its date of original retail purchase. ANY IMPLIED WARRANTY, INCLUDING WITHOUT LIMITATION, ANY IMPLIED WARRANTY OF MERCHANTABILITY OR FITNESS FOR A PARTICULAR PURPOSE THAT IS AVAILABLE TO YOU UNDER THE LAWS OF YOUR STATE OR PROVINCE SHALL COVER THE MOTOR FOR THE EXPECTED LIFETIME OF THE MOTOR (SUBJECT TO PROPER USE), AND FOR ONE YEAR WITH RESPECT TO COMPONENTS AND ACCESSORIES.

## **No Other Express or Implied Warranty Applies:**

THE LIMITED WARRANTIES PROVIDED ABOVE ARE THE SOLE AND EXCLUSIVE WARRANTIES PROVIDED BY EMERSON TO YOU FOR YOUR EMERSON CEILING FAN, AND ARE IN LIEU OF ALL OTHER WARRANTIES, WRITTEN OR ORAL, EXPRESS OR IMPLIED, WHETHER ARISING BY OPERATION OF LAW OR OTHERWISE, WHETHER OR NOT THE PURPOSE HAS BEEN DISCLOSED AND WHETHER OR NOT THE EMERSON CEILING FAN HAS BEEN SPECIFICALLY DESIGNED OR MANUFACTURED FOR YOUR USE OR PURPOSE. EMERSON HEREBY DISCLAIMS ANY AND ALL IMPLIED WARRANTIES, INCLUDING WITHOUT LIMITATION, IMPLIED WARRANTIES OF MERCHANTABILITY OR FITNESS FOR A PARTICULAR PURPOSE FOR COMPONENTS AND ACCESSORIES AS OF THE EXPIRATION OF THE ONE YEAR WARRANTY PERIOD FOR SUCH COMPONENTS AND ACCESSORIES. IMPLIED WARRANTIES OF MERCHANTABILITY OR FITNESS FOR A PARTICULAR PURPOSE FOR THE MOTOR PORTION OF THE EMERSON CEILING FAN ARE LIKEWISE DISCLAIMED BY EMERSON AT SUCH TIME THAT THE EXPECTED LIFETIME OF THE EMERSON CEILING FAN UNDER NORMAL USAGE HAS BEEN REACHED. EXCLUSIONS OR LIMITATIONS OF IMPLIED WARRANTIES MAY VARY FROM STATE TO STATE AND PROVINCE TO PROVINCE SO THE ABOVE LIMITATIONS MAY NOT APPLY TO YOU.

## **What We Will Do To Correct Problems:**

If during the one (1) year warranty period the motor or any component or accessory of your Emerson Ceiling Fan is defective in materials or workmanship, or if during the expected lifetime of the Emerson Ceiling Fan (when used in accordance with the User Manual or other instructions) the motor is defective in materials or workmanship, you must contact Emerson during the applicable warranty period. If the defect is covered by warranty, Emerson will repair or replace the defective motor, component or other accessory at no charge to you. If repair of the motor, component or accessory is not practical or possible within a reasonable time and no replacement Emerson Ceiling Fan can be provided, Emerson will refund to you the actual purchase price of your Emerson Ceiling Fan. We will ship the repaired or the replacement Emerson Ceiling Fan to you at no charge, but you are responsible for all costs of removal and reinstallation of your Emerson Ceiling Fan.

## **How You Can Receive Warranty Service:**

You must be the original retail purchaser and have proof of your purchase of the Emerson Ceiling Fan to obtain your remedy under this limited warranty. You can return your Emerson Ceiling Fan to your place of purchase, or you can call Emerson Customer Service at 1-800-237-6511 to obtain a return authorization and service identification tag. In order for us to confirm that your Emerson Ceiling Fan is still under warranty, please retain your receipt or other proof of purchase and have that information readily available when returning your Emerson Ceiling Fan to your place of purchase, or upon calling Emerson Customer Service. If you call Emerson Customer Service, prior to your call please be prepared to provide all model numbers shown on your Emerson Ceiling Fan. Once we have processed your return authorization request, we will provide you with a postage paid return label which should be affixed to the Emerson Ceiling Fan package you ship to the address listed at the end of this limited warranty. The return label will be sent to the mailing address you provide to us by phone.

## **What Is Not Covered:**

### **This limited warranty does not extend to and expressly excludes:**

- The glass globes and light bulbs of your Emerson Ceiling Fan,
- Loss or damage to the motor or any component or accessory caused by normal wear and tear, rather than due to defects in materials or workmanship,
- Loss or damage resulting from conditions beyond our reasonable control, including without limitation, repairs not made at our factory or authorized service center, use of parts or accessories not provided to you as part of this warranty by our factory or authorized service center, mishandling, unreasonable use, misuse, abuse, modifications or other damage caused by you or a third party to your Emerson Ceiling Fan while not in our possession,
- Loss or damage resulting from improper installation, or other failure to comply with instructions in your Owner's Manual.

This limited warranty is deemed null and void upon the occurrence of either of the following events:

- You cease to own the Emerson Ceiling Fan product, or
- The Emerson Ceiling Fan is moved from its original point of installation.

This limited warranty is only valid within the 50 United States, the District of Columbia, and Canada. No other written or oral warranties apply, and no employee, agent, dealer or other person is authorized to give any warranties on behalf of Air Comfort Products or Emerson Electric Co.

## **Limitation of Liability**

REPAIR, REPLACEMENT OR A REFUND ARE THE EXCLUSIVE REMEDIES AVAILABLE TO YOU UNDER THIS LIMITED WARRANTY. TO THE EXTENT PERMITTED BY LAW, IN NO EVENT SHALL EMERSON OR ANY EMERSON AUTHORIZED DEALER BE LIABLE FOR ANY INCIDENTAL, SPECIAL, INDIRECT, OR CONSEQUENTIAL DAMAGES, INCLUDING ANY ECONOMIC LOSS, WHETHER RESULTING FROM NONPERFORMANCE, USE, MISUSE OR INABILITY TO USE THE EMERSON CEILING FAN OR FOR THE NEGLIGENCE OF EMERSON OR AN EMERSON AUTHORIZED DEALER. EMERSON SHALL NOT BE LIABLE FOR DAMAGES CAUSED BY DELAY IN PERFORMANCE AND IN NO EVENT, REGARDLESS OF THE FORM OF THE CLAIM OR CAUSE OF ACTION (WHETHER BASED IN CONTRACT, INFRINGEMENT, NEGLIGENCE, STRICT LIABILITY, OTHER TORT OR OTHERWISE), SHALL EMERSON'S OR ANY EMERSON AUTHORIZED AGENT'S LIABILITY TO YOU OR ANY INDIVIDUAL USING THE EMERSON CEILING FAN EXCEED THE PRICE PAID BY THE ORIGINAL OWNER FOR THE EMERSON CEILING FAN. The term "consequential damages" shall include, but not be limited to, loss of anticipated profits, business interruption, loss of use or revenue, cost of capital or loss or damage to property or equipment.

## **How State and Provincial Law Relates To The Warranty:**

Some states and provinces do not allow the exclusion or limitation of incidental or consequential damages so the above exclusion or limitation may not apply to you. This limited warranty gives you specific legal rights, and you may also have other rights which vary from state to state or province to province.

**SERIAL NUMBER:** \_\_\_\_\_ **DATE CODE:** \_\_\_\_\_

The serial number of this fan can be found on the nameplate on top of the fan housing. The date code can be found on the carton and on top of the fan housing, stamped in ink on a white label. You should record this data above and keep it in a safe place for future use.



**EMERSON**<sup>TM</sup>

**Air Comfort Products**

DIVISION OF EMERSON ELECTRIC CO.  
8100 W. Florissant • St. Louis, MO 63136

Questions, problems, missing parts: Before returning to the store call  
Emerson Electric Customer Service  
8 a.m. - 6 p.m., Eastern, Monday-Friday

**1-800-654-3545**

**[www.emersonfans.com](http://www.emersonfans.com)**

Retain this manual for future use.