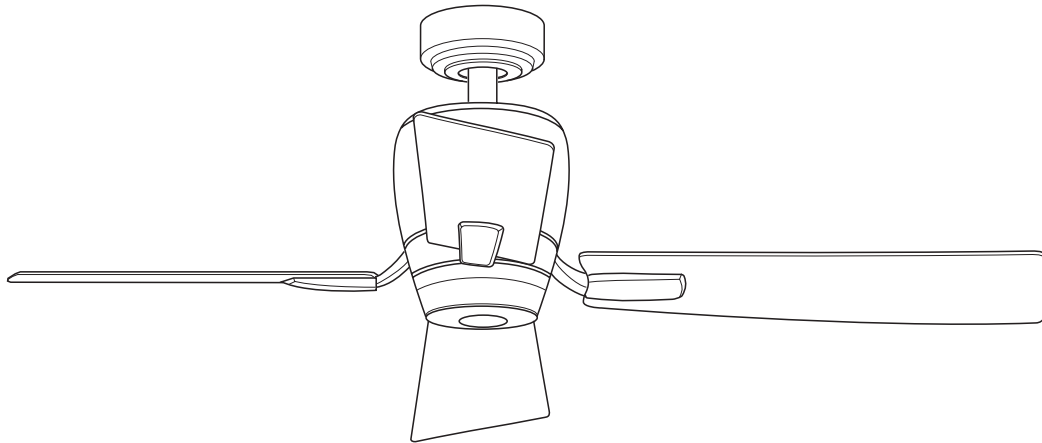


READ AND SAVE THESE INSTRUCTIONS



EMERSON™

VELOCE

**Damp Location Ceiling Fan
Owner's Manual**

Model Numbers

CF230BS00

CF230ORB00

CF230WW00

Net Weight: **17.0** Lbs.

⚠ WARNING

WARNING: To avoid fire, shock, and serious personal injury, follow these instructions.

Safety Instructions

1. Read your owner's manual carefully and keep it for future reference.
2. Before servicing or cleaning unit, switch power off at service panel and lock service panel disconnecting means to prevent power from being switched on accidentally. When the service disconnecting means cannot be locked, securely fasten a warning device, such as a tag, to the service panel.
3. Be careful of the fan and blades when cleaning, painting, or working near the fan. Always turn off the power to the ceiling fan before servicing.
4. Do not put anything into the fan blades while they are turning.
5. Do not operate reversing switch until fan blades have come to a complete stop.

Additional Safety Instructions for Installation

1. To avoid possible shock, be sure electricity is turned off at the fuse box before wiring, and do not operate fan without blades.
2. All wiring must be in accordance with the National Electrical Codes "ANSI/NFPA 70-2008" and Local Electrical Codes. Use the National Electrical Code if Local Codes do not exist. The ceiling fan must be grounded as a precaution against possible electrical shock. Electrical installation should be made or approved by a licensed electrician.
3. The ceiling structure must be capable of reliably supporting at least 50 pounds.
4. Use only U.L. outlet boxes listed as "Acceptable for Fan Support of 15.9 kg (35 lbs) or less", and use the mounting screws provided with the outlet box. Most outlet boxes commonly used for support of light fixtures are not acceptable for fan support and may need to be replaced. Consult a qualified electrician if in doubt.
5. The fan must be mounted with the fan blades at least 7 feet from the floor to prevent accidental contact with the fan blades.
6. Follow the recommended instructions for the proper method of wiring your ceiling fan. If you do not know enough about electrical wiring, have your fan installed by a licensed electrician.

CAUTION: To reduce the risk of electric shock, disconnect the electrical supply circuit to the fan before light kit.

7. Use only with light kits marked suitable for use in damp locations" to the Additional Safety Instructions for Installation.

NOTE: All set screws must be checked and re-tightened where necessary before installation.

WARNING: To reduce the risk of fire or electrical shock, do not use this fan with any solid-state speed control device.

WARNING: To avoid fire, shock or injury, do not use on Emerson or any other brand of control not specifically approved for this fan.

WARNING: To reduce the risk of fire or electric shock, this fan should only be used with fan speed control, Model No. SR401/U.L. Model No. UC7067RAL manufactured by Rhine Electric Co., Ltd.

WARNING: To avoid fire, shock or injury, do not use an Emerson or any other brand of control not specifically approved for this fan.

WARNING: This product is designed to use only those parts supplied with this product and/or any accessories designated specifically for use with this product by Emerson Electric Co. Substitution of parts or accessories not designated for use with this product by Emerson Electric Co. could result in personal injury or property damage.

WARNING: To reduce the risk of personal injury, do not bend the blade flange when installing the blade flanges, balancing the blades or cleaning the fan. Do not insert foreign objects in between rotating fan blades.

WARNING: To reduce the risk of electric shock, this fan must be installed with an isolating wall control/switch.

DATE CODE: _____

The date code of this fan may be found on the box, stamped in ink on a white label. You should record this data above and keep it in a safe place for future use.

This Manual Is Designed to Make it as Easy as Possible for You to Assemble, Install, Operate and Maintain Your Ceiling Fan

THIS FAN IS SUITABLE FOR DAMP LOCATIONS SUCH AS COVERED PORCHES, COVERED PATIOS, AND COVERED DECKS...ANYWHERE THERE IS A ROOF OVERHEAD.

USE ONLY WITH LIGHT KITS MARKED SUITABLE FOR USE IN DAMP LOCATIONS.

Tools Needed for Assembly

One Phillips head screwdriver One stepladder
One 1/4" blade screwdriver One wire stripper

Installed Wire Length	Wire Size A.W.G.
Up to 50 ft.	14
50-100 ft.	12

MATERIALS

Wiring outlet box and box connectors must be of type required by the local code. The minimum wire would be a 3-conductor (2-wire with ground) of the following size:

⚠ WARNING

Before assembly your ceiling fan, refer to section on proper method of wiring your fan (page 9 or 12). If you feel you do not have enough wiring knowledge or experience, have your fan installed by a licensed electrician.

Unpacking Instructions

⚠ WARNING

Do not install or use fan if any part is damaged or missing. Call Toll-Free:

1-800-654-3545

⚠ WARNING

This product is designed to use only those parts supplied with this product and/or any accessories designated specifically for use with this product by Emerson Electric Co. Substitution of parts or accessories not designated for use with this product by Emerson Electric Co. could result in personal injury or property damage.

1. Open carton containing fan. Remove top half of styrofoam unit. Remove parts and check to see that you have received the following parts:

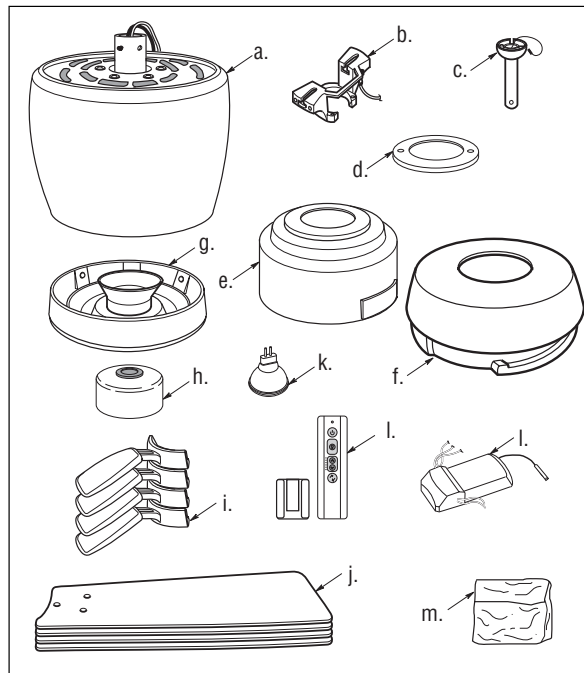
NOTE: If you are uncertain of part description, refer to exploded view illustration.

- a. Fan motor assembly
- b. One hanger bracket
- c. One 4.5" downrod assembly
- d. One ceiling cover trim ring
- e. One ceiling cover with trim plugs
- f. One lower cover
- g. One light kit plate assembly
- h. One coupler cover
- i. Four fan blade flanges
- j. Four fan blades
- k. One 50 watt GU10 base light bulb
- l. RCFP-190 receiver & SR400 transmitter
- m. One loose parts bag containing:
 - 1. Three 12 ga. wire connectors
 - 2. Thirteen #10-24 x 5/16" flange head blade screws
 - 3. Four #10-24 x 3/16" pan head screws
 - 4. Four #10 external tooth lockwasher
 - 5. One rubber gasket
 - 6. One #8-32 x 5/16" light switch screw (spare)

- 7. One 1/4-20 x 9/16" flange screw with lockwasher (spare)
- 8. Two threaded stud, #8-32 x 1-1/4"
- 9. Two external tooth lockwashers
- 10. Two knurled knobs, #8-32
- 11. One clevis pin
- 12. One hairpin clip
- 13. One balancing kit

NOTE: Place the parts from the loose parts bags in a small container to keep them from being lost. If any parts are missing, contact your local retailer or catalog outlet for replacement before proceeding.

2. Remove the fan assembly from the protective plastic bag. Place the fan assembly into the upper foam pad with the lead wires up.



Electrical Requirements

Your new ceiling fan will require a grounded electrical supply line of 120 volts AC, 60 Hz, 15 amp circuit.

The ceiling structure must be capable of reliably supporting at least 50 pounds.

⚠ WARNING

To reduce the risk of fire, electrical shock, or personal injury, mount fan to outlet box marked "Acceptable for Fan Support of 15.9 kg (35 lbs) or less", and use screws supplied with outlet box. Most outlet boxes commonly used for support of light fixtures are not acceptable for fan support and may need to be replaced. Consult a qualified electrician if in doubt.

If your fan is to replace an existing ceiling light fixture, turn electricity off at the main fuse box at this time and remove the existing light fixture.

Your Emerson ceiling fan comes supplied with a Fan Remote Control which consists of a wall mounted switch which allows you to regulate your ceiling fan speed.

⚠ WARNING

Turning off wall switch is not sufficient. To avoid possible electrical shock, be sure electricity is turned off at the main fuse box before wiring. All wiring must be in accordance with National and Local codes and the ceiling fan must be properly grounded as a precaution against possible electrical shock.

⚠ WARNING

To avoid fire or shock, follow all wiring instructions carefully. Any electrical work not described in these instructions should be done or approved by a licensed electrician.

IMPORTANT: Your ceiling fan will not function properly, and may be damaged, if used with any wall dimmer switch or control other than the Emerson Electric Fan/Light Remote Control supplied with the fan.

Installation of Hanger Bracket

IMPORTANT

Your Emerson Ceiling is designed to be installed either in the standard manner, or in the close-to-the-ceiling manner. Using the standard method, the hanger ball/downrod assembly will suspend the fan several inches below the ceiling cover. Using the close-to-the-ceiling method, the ceiling cover installs directly on the fan motor housing, thus mounting the fan 3-1/2 inches closer to the ceiling than the standard method. In no case should the fan blades be lower than seven feet above the floor. Depending on your desired mounting method, proceed to "INSTALLING HANGER BALL/DOWNROD ASSEMBLY" for standard mounting, or to "INSTALLING CEILING COVER ON FAN MOTOR HOUSING" for close-to-the-ceiling mounting.

⚠ WARNING

The fan must be hung with at least 7' of clearance from floor to blades (Figure 1).

⚠ WARNING

To reduce the risk of fire, electrical shock, or personal injury, mount fan to outlet box marked "Acceptable for Fan Support of 15.9 kg (35 lbs) or less", and use screws supplied with outlet box. Most outlet boxes commonly used for support of light fixtures are not acceptable for fan support and may need to be replaced. Consult a qualified electrician if in doubt.

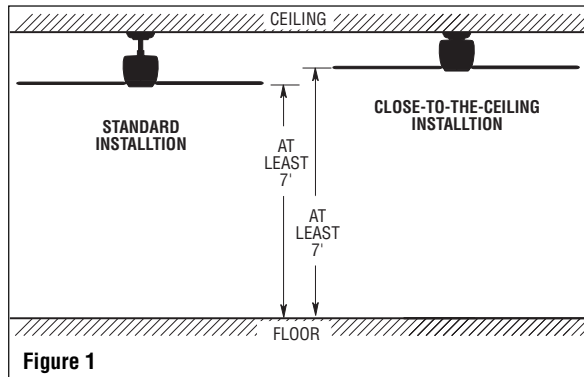


Figure 1

Installation of Hanger Bracket (continued)

⚠ WARNING

Turning off wall switch is not sufficient. To avoid possible electrical shock, be sure electricity is turned off at the main fuse box before wiring. All wiring must be in accordance with National and Local codes and the ceiling fan must be properly grounded as a precaution against possible electrical shock.

1. Disconnect electrical power to the branch circuit at the circuit breaker or fuse box before attempting to install the ceiling fan mounting plate on the outlet box.
2. Loosen (but do not remove) the two mounting screws in the outlet box (Figure 2). Position the hanger bracket on the outlet box so that the T-slots in the hanger bracket are aligned with the outlet box screws.

NOTE: The hanger bracket must be mounted flush with the ceiling in order for the ceiling cover to install properly. If necessary, use leveling washers (not supplied) between the outlet box and the hanger bracket.

3. Slide the hanger bracket onto the outlet box screws. Center the bracket over the outlet box and then securely tighten the screws (Figure 3).

⚠ WARNING

Hanger bracket must seat firmly against outlet box. If the outlet box is recessed, remove wall board until bracket contacts box. If bracket and/or outlet box are not securely attached, the fan could wobble or fall.

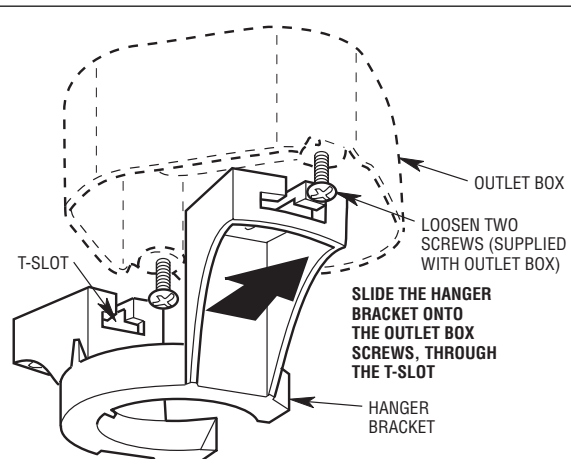


Figure 2

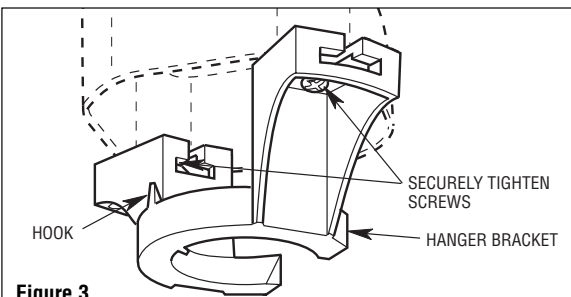


Figure 3

Installation of Blades & Light Assembly

1. Mount the blade flanges to the fan blades using three #10-24 x 5/16" Phillips blade screws per blade (supplied) (Figure 4). Repeat for the three remaining blades.

⚠ WARNING

To reduce the risk of personal injury, do not bend the blade flange when installing the blade flanges, balancing the blades or cleaning the fan. Do not insert foreign objects in between rotating fan blades.

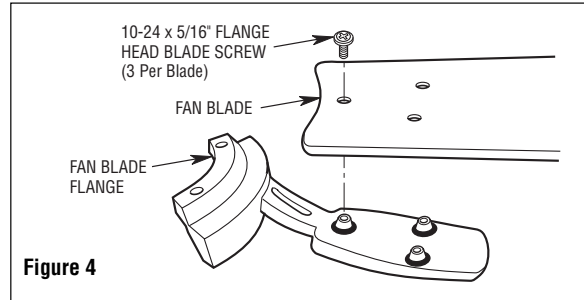


Figure 4

2. Attach one blade assembly to the motor using the captive screw provided for each flange (Figure 5). Make sure the screws are tightened securely. Repeat this procedure for the other three blade assemblies.

NOTE: Take care not to scratch the fan housing when installing the blade assemblies.

3. Remove one of the fan motor assembly screw (and retain for later use) and loosen the two other screws for installation of the light kit plate assembly (Figure 6).

4. Remove and retain the wire connectors from the white and blue wires (Figure 6).

5. Connect the white wire from the ceiling fan to the white wire of the light kit plate (Figure 7). Connect the blue wire from the ceiling fan to the black wire of the light kit plate. Use wire connectors (previously removed) to make connections.

NOTE: Carefully tuck all wires and connectors into the fan motor assembly.

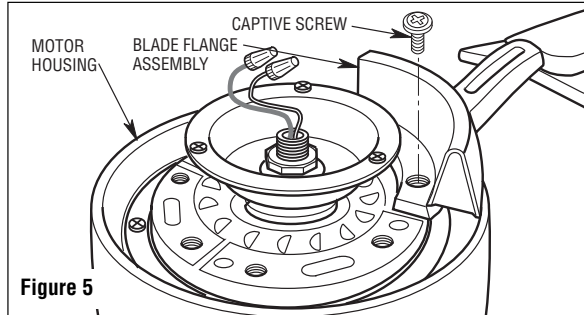


Figure 5

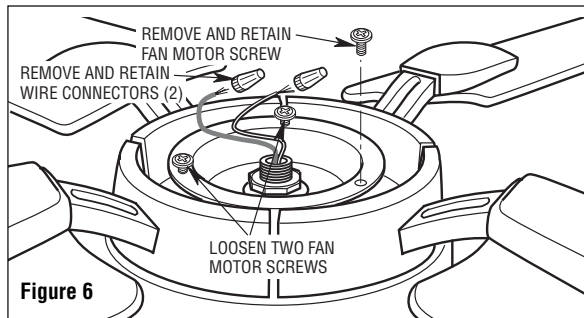


Figure 6

⚠ WARNING

To avoid possible fire or shock, make sure that electrical wires are not pinched between the light kit plate assembly and the fan motor assembly.

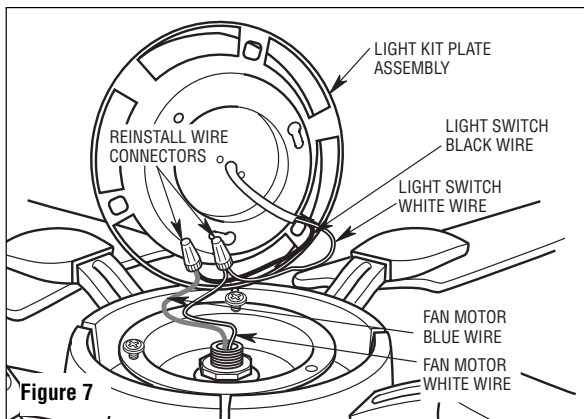


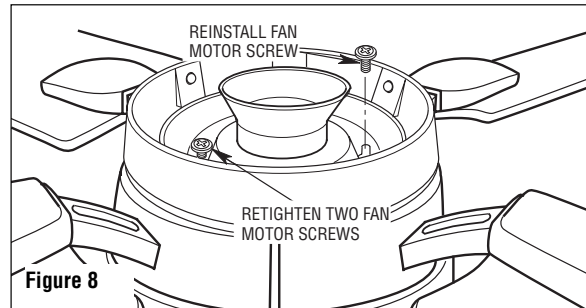
Figure 7

Installation of Blades & Light Assembly (continued)

5. Position the light kit plate assembly onto the fan motor assembly, careful to not pinch any wires during installation.
6. Rotate the light kit plate assembly counter-clockwise to engage the two key slots with the two screws in the fan motor assembly.
7. Reattached the screw (removed in Step 3) into the light kit plate assembly and securely tighten the three screws (Figure 8).

NOTE: Do not engage the light bulb at this time.

NOTE: Continue to Close-to-the-Ceiling installation if needed.



How to Assemble Your Ceiling Fan (Standard)

Proceed to "Close-To-The-Ceiling" section on page 11 if you are not using the downrod to hang your ceiling fan.

NOTE: Carefully turn partially assembled ceiling fan over and place into the packing styrofoam to complete the assembly of your ceiling fan. Be extra careful with the blades while turning the fan over.

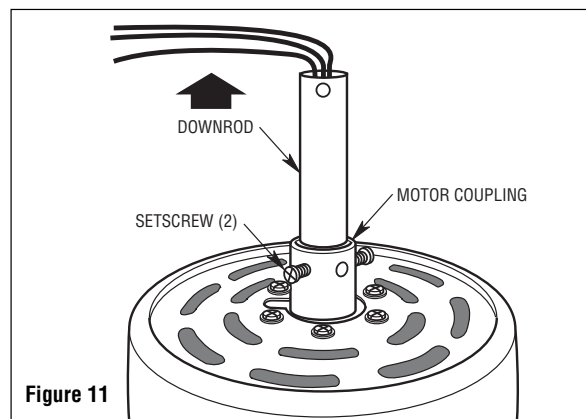
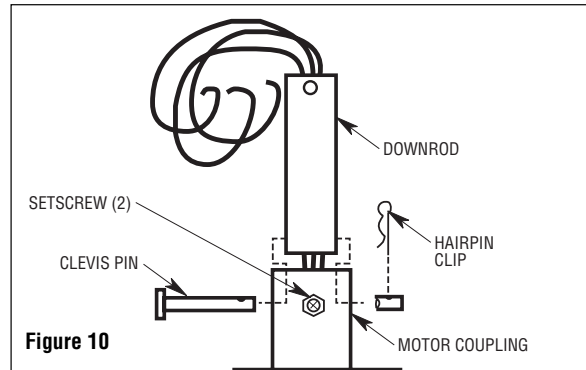
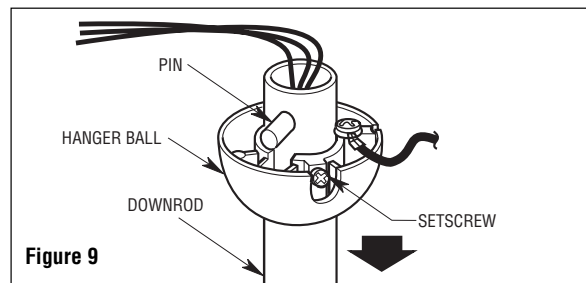
1. Remove the hanger ball by loosening the setscrew in the hanger ball until the ball falls freely down the downrod (Figure 9). Remove the pin from the downrod, then remove the hanger ball. Retain the pin and hanger ball for reinstallation in Step 7.
2. Loosen setscrew in motor coupler if necessary. Separate, untwist and unkink the three 80" motor leads. Route the motor lead wires through the downrod. Align the clevis pin holes in the downrod with the holes in the motor coupler. Install the clevis pin and secure with the hairpin clip (Figure 10). The clevis pin must go through the holes in the motor coupler and the holes in the downrod. Be sure to push the straight leg of the hairpin clip through the hole near the end of the clevis pin until the curved portion of the hairpin clip snaps around the clevis pin. The hairpin clip must be properly installed to prevent the clevis pin from working loose. Pull on the downrod to make sure the clevis pin is properly installed.

WARNING

It is critical that the clevis pin in the motor coupler is properly installed and the setscrew securely tightened. Failure to verify that the pin and setscrew are properly installed could result in the fan falling.

3. While pulling up on the downrod, securely tighten the two setscrews in the motor coupling (Figure 11).

NOTE: The setscrews must be properly installed as described above, or fan wobble could result.



How to Assemble Your Ceiling Fan (Standard) (cont.)

4. Make sure the grommet is properly installed in the coupling cover then slide the coupler cover on the downrod until it rests on the motor housing (Figure 12).
5. Place the ceiling cover trim ring and ceiling cover over the downrod. Be sure both pieces are oriented correctly (Figure 12).

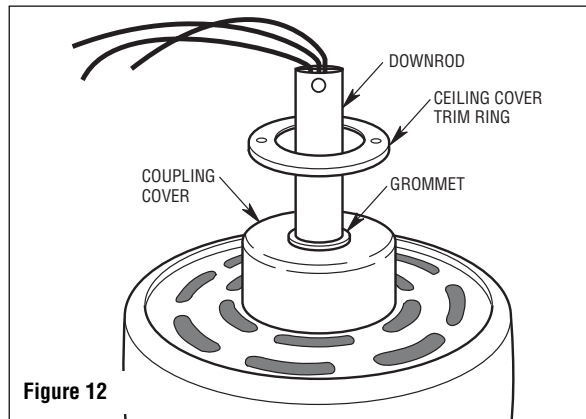


Figure 12

6. Place the ceiling cover over the downrod. Be sure it is oriented correctly (Figure 13).
7. Reinstall the hanger ball (Figure 14) on the downrod as follows. Route the motor leads through the downrod. Position the pin through the two holes in the downrod and align the ball so the pin is captured in the groove in the top of the hanger ball. Pull the hanger ball up tight against the pin and securely tighten the setscrew in the hanger ball. A loose setscrew could create fan wobble.

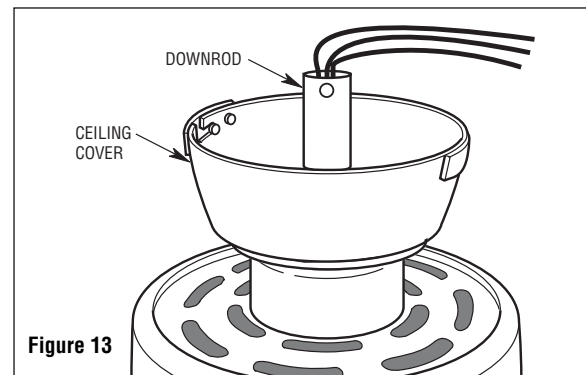


Figure 13

⚠ WARNING

It is critical that the pin in the hanger ball is properly installed and the setscrew securely tightened. Failure to verify that the pin and setscrew are properly installed could result in the fan falling.

8. The fan comes with blue, black and white leads that are 80" long. Before installing fan, measure up approximately 6 to 9-inches above top of hanger ball/downrod assembly. Cut off excess leads and strip back insulation 1/2-inch from end of leads.

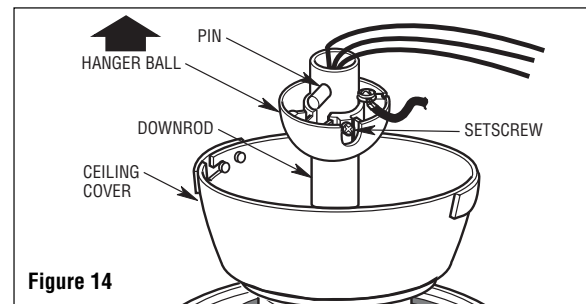


Figure 14

9. Screw the two 1-1/4" threaded studs (supplied) into the tapped holes in the hanger bracket (Figure 15).
10. Carefully lift the fan assembly and seat the hanger ball in the hanger bracket (Figure 15). The tab on the hanger bracket must seat in the groove in the hanger ball.

⚠ WARNING

Failure to seat tab in groove could cause damage to electrical wires and possible shock or fire hazard.

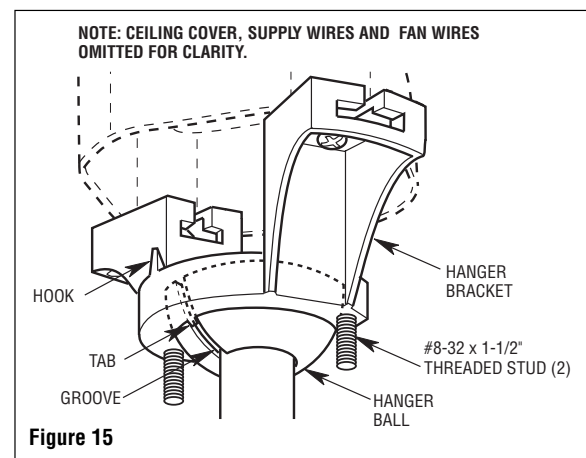


Figure 15

How to Wire Your Ceiling Fan (Standard)

If you feel that you do not have enough electrical wiring knowledge or experience, have your fan installed by a licensed electrician.

1. Disconnect electrical power to the branch circuit at the circuit breaker or fuse box before attempting to wire the ceiling fan.
2. Position the supply wires to the left side of the outlet box (Figure 16); position the fan wires to the right side.

WARNING

Turning off wall switch is not sufficient. To avoid possible electrical shock, be sure electricity is turned off at the main fuse box before wiring. All wiring must be in accordance with National and Local codes and the ceiling fan must be properly grounded as a precaution against possible electrical shock.

3. Partially insert the remote control receiver (flat side up) until one end rests on the hanger ball as shown in Figure 16. Be sure to insert the antenna wire first, making certain that it passes completely through the mounting bracket.

WARNING

To avoid possible fire or shock, make sure that the electrical wires are completely inside the outlet box and not pinched between the ceiling cover and the ceiling.

NOTE: Make all wiring connections using wire connectors (supplied). Make sure that all connections are tight, including ground, and that no bare wire is visible at the wire connectors, except for the ground wire.

4. Refer to Figure 16 and 17 and connect the receiver wires to the supply wires and the fan motor wires as follows:
 - a. Securely connect the green grounding wires from the hanger ball and the hanger bracket to the supply grounding conductor (this may be a bare wire or a wire with green insulation).
 - b. Securely connect the supply white (neutral) wire to the receiver white (AC IN N) wire.
 - c. Securely connect the supply black wire (hot) wire to the receiver black (AC IN L) wire.
 - d. Securely connect the fan motor white wire to the receiver white (TO MOTOR N) wire.
 - e. Securely connect the fan motor black wire to the receiver black (TO MOTOR L) wire.
 - f. Securely connect the fan motor blue wire to the receiver blue (FOR LIGHT) wire.

NOTE: Failure to properly connect the receiver wires will damage the device and render it non-operable.

WARNING

Check to see that all connections are tight, including ground, and that no bare wire is visible at the wire connectors, except for the ground wire. Do not operate fan until blades are in place. Noise and fan damage could result.

How to Wire Your Ceiling Fan (Standard) (cont.)

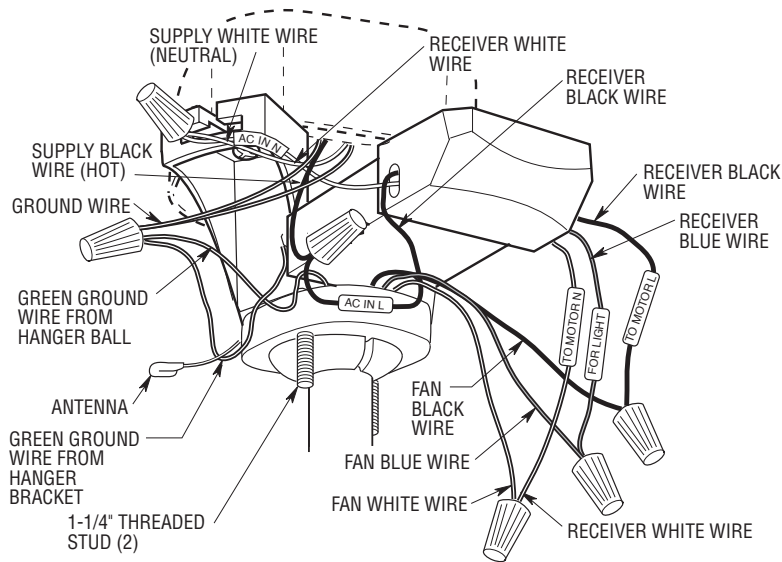


Figure 16

5. After wire connections have been made, separate the grounded white neutral and green wires on one side of the outlet box from the ungrounded black and blue wires on the other side of the outlet box (Figure 17).
6. Carefully turn the wire connectors upward and insert them up through the open side of the hanger bracket and into the outlet box. Push the grounded green and white wires into one side of the outlet box; push the ungrounded black and blue wires into the other side of the outlet box.

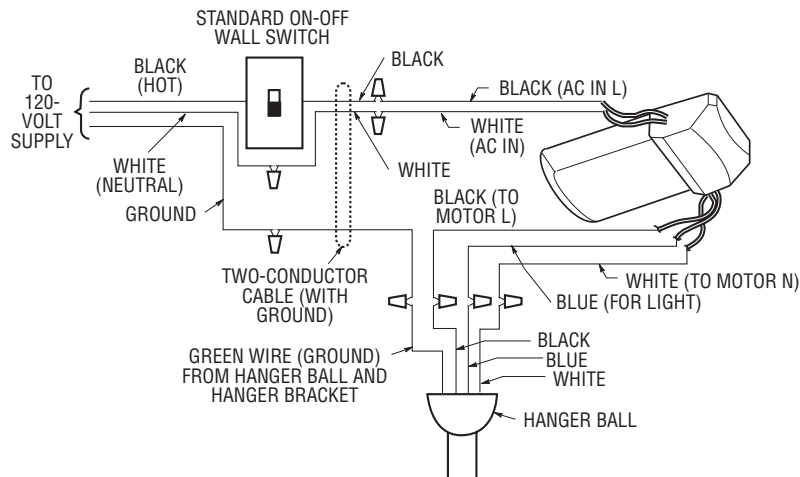


Figure 17

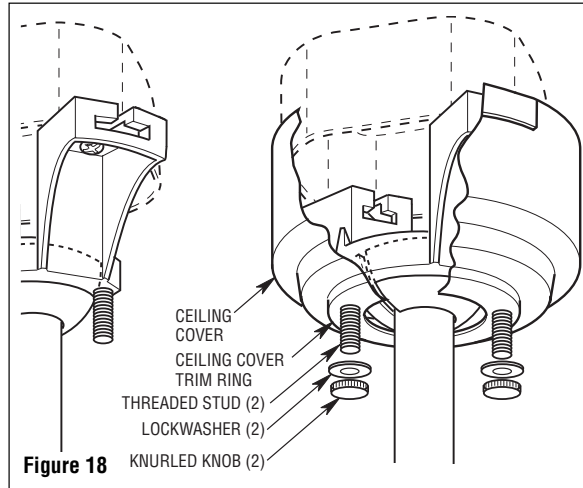
Installation of Ceiling Cover (Standard)

1. Lift the ceiling cover up to the threaded studs and turn until the studs protrude through the holes in the ceiling cover (Figure 18).

⚠ WARNING

To avoid possible fire or shock, make sure that the electrical wires are completely inside the outlet box and not pinched between the ceiling cover and the ceiling.

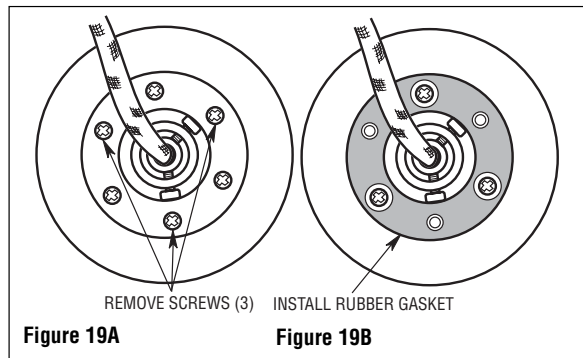
2. Position the lower ceiling cover trim ring onto the threaded studs and secure both the ceiling cover and ring in place by sliding lockwashers (supplied) over the threaded studs and installing the two knurled knobs (supplied). (Figure 18). Tighten the knurled knobs securely until the ceiling cover fits snugly against the ceiling.



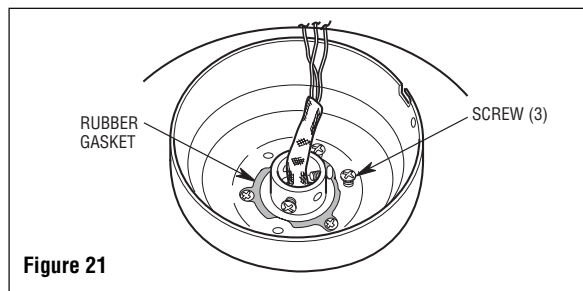
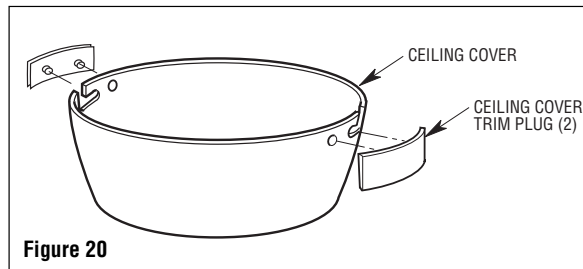
Close-to-the-Ceiling Installation

Installing The Ceiling Cover On The Fan Motor Housing

1. Remove and retain three screws from the top of the motor housing (Figure 19A).
2. Position the rubber gasket (supplied in parts bag) on the motor housing (small holes in gasket centered over the screw holes in the housing) (Figure 19B).
3. Remove the ceiling cover trim plugs pre-installed to the ceiling cover (Figure 20).



4. Align the holes in the ceiling cover with the holes in the motor housing and secure using the three screws (Figure 21).
5. The fan comes with blue, black and white leads that are 80" long. Measure up approximately 6 to 9-inches above the motor coupling. Cut off excess leads and strip back insulation 1/2-inch from ends of leads.

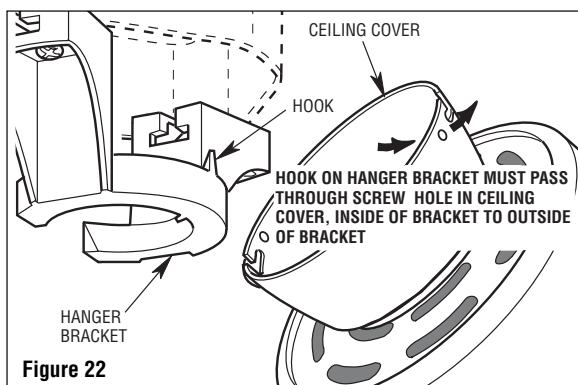


Close-to-the-Ceiling Installation (cont.)

- Carefully lift the fan assembly up to the hanger bracket. Pass the hook on the hanger bracket (Figure 22) through one of the screw holes (not the slots) in the ceiling cover (Figure 22). The hook must pass from the inside of the ceiling cover to the outside. The hook will hold the fan assembly while connecting the wiring.

⚠ WARNING

The hook must pass through the screw hole in the ceiling cover from the inside to the outside. Any other hanging method may cause the hook to break and the fan to fall.



How to Wire Your Ceiling Fan (Close-to-the-Ceiling)

If you feel that you do not have enough electrical wiring knowledge or experience, have your fan installed by a licensed electrician.

- Disconnect electrical power to the branch circuit at the circuit breaker or fuse box before attempting to wire the ceiling fan.
- Position the supply wires to the left side of the outlet box (Figure 23); position the fan wires to the right side.

⚠ WARNING

Turning off wall switch is not sufficient. To avoid possible electrical shock, be sure electricity is turned off at the main fuse box before wiring. All wiring must be in accordance with National and Local codes and the ceiling fan must be properly grounded as a precaution against possible electrical shock.

- Partially insert the remote control receiver (flat side up) until one end rests on the hanger bracket as shown in Figure 23. Be sure to insert the antenna wire first, making certain that it passes completely through the mounting bracket.

⚠ WARNING

To avoid possible fire or shock, make sure that the electrical wires are completely inside the outlet box and not pinched between the ceiling cover and the ceiling.

NOTE: Make all wiring connections using wire connectors (supplied). Make sure that all connections are tight, including ground, and that no bare wire is visible at the wire connectors, except for the ground wire.

- Refer to Figure 23 and connect the receiver wires to the supply wires and the fan motor wires as follows:
 - Securely connect the green grounding wires from the hanger ball and the hanger bracket to the supply grounding conductor (this may be a bare wire or a wire with green insulation).
 - Securely connect the supply white (neutral) wire to the receiver white (AC IN N) wire.
 - Securely connect the supply black wire (hot) wire to the receiver black (AC IN L) wire.
 - Securely connect the fan motor white wire to the receiver white (TO MOTOR N) wire.
 - Securely connect the fan motor black wire to the receiver black (TO MOTOR L) wire.
 - Securely connect the fan motor blue wire to the receiver blue (FOR LIGHT) wire.

NOTE: Failure to properly connect the receiver wires will damage the device and render it non-operable.

⚠ WARNING

Check to see that all connections are tight, including ground, and that no bare wire is visible at the wire connectors, except for the ground wire. Do not operate fan until blades are in place. Noise and fan damage could result.

How to Wire Your Ceiling Fan (Close-to-the-Ceiling) (cont.)

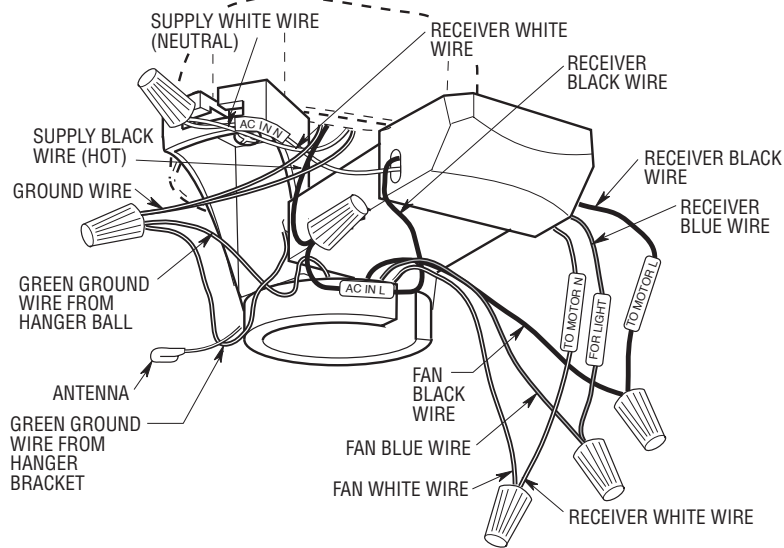


Figure 23

Installation of Fan Assembly onto Hanger Bracket (Close-to-the-Ceiling)

1. Partially install two #10-24x3/16 pan head screws and lock washers (supplied) into the hanger bracket as shown (Figure 24). Observe the ceiling cover to determine exact installation location of both screws. The protruding screws will be used to engage the ceiling cover.
2. Lift the fan assembly up to the hanger bracket. Engage the slots in the ceiling cover with the loosened screws in the bracket and turn the cover counterclockwise (Figure 24). Be sure that the lockwashers are between the screw heads and the ceiling cover. Immediately tighten both screws to lock the fan onto the hanger bracket.
3. Install the two #10-24x3/16 screws and lockwashers (supplied) into the hanger bracket ; tighten all screws securely.

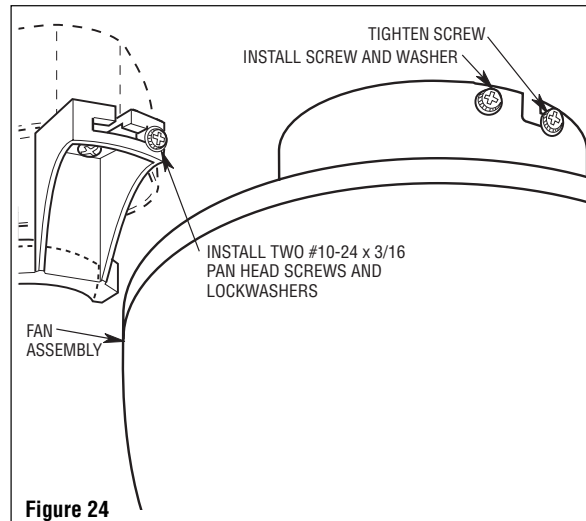


Figure 24

⚠ WARNING

To avoid possible fire or shock, make sure that the electrical wires are completely inside the outlet box and not pinched between the ceiling cover and the ceiling.

Installation of Light Bulb & Lower Cover (All Fans)

1. Install the 50-watt (maximum) GU10 base light bulb (supplied) into the light socket (Figure 25). Turn bulb clockwise to engage into the socket for secure fit.

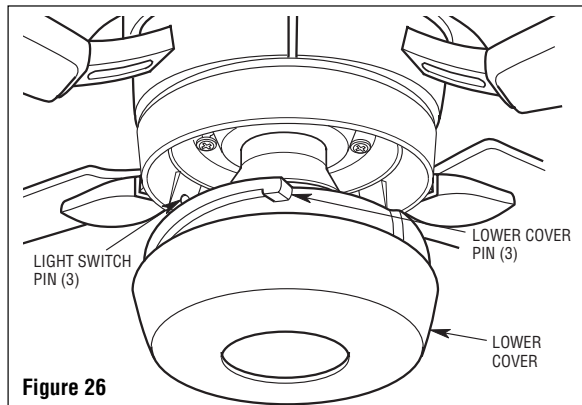
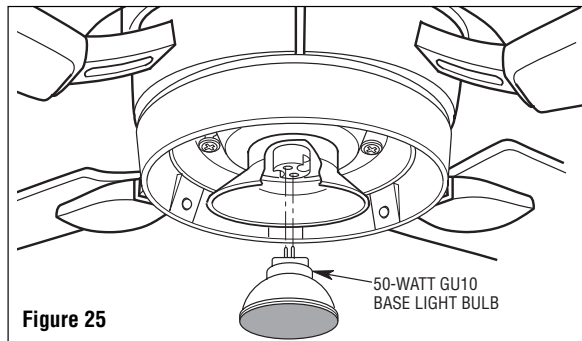
NOTE: Do not touch the new 50-watt (maximum) MR-16, GU-10 bulb with your bare fingers; using a cloth or soft gloves to hold the bulb, gently push it into the socket and twist to lock the lamp into the socket (Figure 25). If there is any doubt that the bulb may have been contaminated by your touch, you should clean the bulb before its first use. Take a clean cloth dipped in a small amount of rubbing/isopropyl alcohol and gently brush off the bulb surface. If the lamp is hot, wait 30 minutes before cleaning.

CAUTION: To reduce the risk of electric shock, burns or other injury, disconnect the electric supply circuit to the fan before attempting to install or replace the halogen bulb.

CAUTION: To not touch halogen bulbs with bare hands. Fingerprints may result in shorter bulb life. Remove fingerprints with alcohol.

2. Place the lower cover into the opening in the light kit plate assembly. Place the three pins on the light kit plate assembly into the three mounting holes located on the underside of the lower cover. Turn the lower cover clockwise until it stops and locks into place (Figure 26).

NOTE: Periodically check that the cover is seated fully clockwise in the light kit plate assembly.



3. You have now completed the assembly of your new ceiling fan. Proceed to the next section to program your remote controls.

Remote Control Procedures

General

Your Emerson Ceiling Fan/Light Remote Control consists of hand-held transmitter and a receiver which is mounted under the fan ceiling cover. The remote control is designed to separately control your ceiling fan speed and light intensity.

The remote control transmitter is powered by two AAA alkaline batteries (included). To prevent possible damage if the batteries should leak, be sure to remove the batteries when the control is not to be used for an extended period of time.

Code switches in the transmitter and receiver may be set in 32 different positions. If your fan and light go on and off without using your control, you may be getting interference from other remote units such as garage door openers, car alarms or security systems. To remedy this situations, simply change the combination code in your transmitter and receiver.

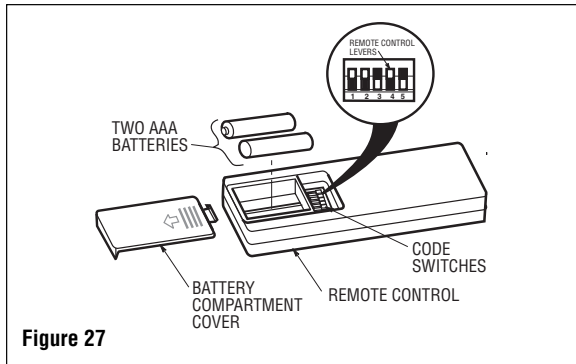
Preset Memory Feature

Your Emerson receiver is equipped with a preset memory feature. If the AC supply to the receiver is powered through a wall switch, when the switch is turned OFF, the control will remember the light intensity and fan speed. When the switch is turned back ON the light and fan will resume operation as they were prior to the switch being turned OFF.

Remote Control Procedures (cont.)

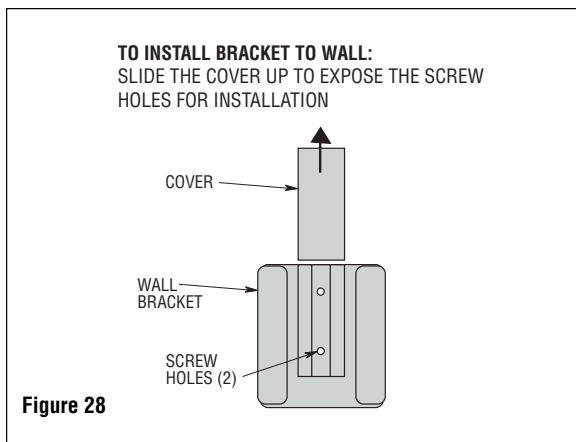
Installation of Battery

1. Remove the battery cover by pressing firmly below the arrow and sliding the cover off the control (Figure 27).
2. Install two AAA alkaline batteries and reinstall the battery cover.



Installation of Storage Bracket for Remote Control

A storage bracket is provided for holding your remote control when not in use. If you desire to use the bracket, install it on a wall that is away from excess heat or humidity (Figure 28).



Setting Operating Frequency of Remote Control

Your remote control has code switches which must be set in one of 32 possible code combinations (Figure 29). The five levers (numbered 1, 2, 3, 4, and 5) on the switches are factory-set in the ON (up) position. Change the switch settings as follows (Figure 29):

1. Slide the five switch levers in the remote control to your choice of ON (up) or down positions. Use a ball-point pen or small screwdriver and slide the levers firmly up or down.

2. Restore electrical power to the ceiling fan at the circuit breaker panel or fuse box.
3. Within 1 minute of restoring electricity, push and hold the remote control OFF button (⏻) for 3 to 5 seconds to set the code in the receiver. The fan's lights will blink several times to confirm the fan is programmed.

NOTE: The ceiling fan receiver will not respond to transmitter commands if the transmitter's frequency switch settings are changed without reprogramming the receiver. Program the receiver to the new frequency by repeating the "Setting Operating Frequency of Remote Control" and "High Speed Conditioning" instructions.

Remote Control Procedures (cont.)

Operating Your Ceiling Fan

1. To turn on or shut off the ceiling fan, press and release the (⏻) button.
2. To set the desired fan speed, press the (⏴) button to decrease the speed and the (⏵) to increase the speed. The LED display will light up to indicate the new speed selected.
3. To turn the downlight on or off, press and release the (💡) button.
4. To vary the intensity of the light, hold the (⏴) button down until the desired light intensity is reached, then release the button. The remote dimmer code must be set to "D" to use the dimming features (Figure 29).

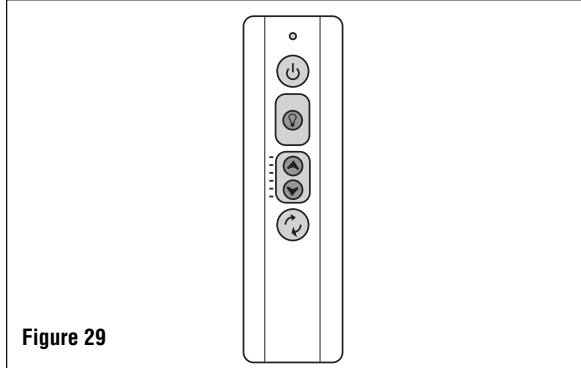


Figure 29

Reversing Air Circulation

1. All fans are shipped from the factory with the reversing switch positioned to circulate air downward. If airflow is desired in opposite direction, turn your fan off and wait for the blades to stop turning, then slide the reversing switch to the opposite position, and turn fan on again (Figure 30).
2. The fan blades will turn in the opposite direction and reverse the airflow.

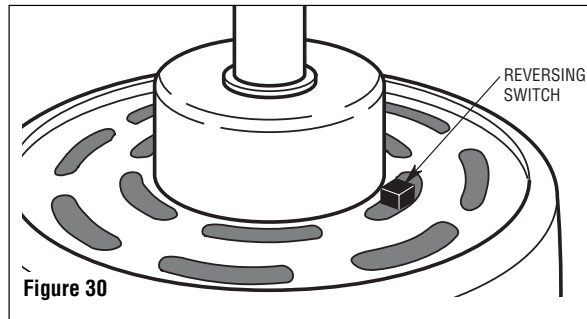


Figure 30

Reverse Switch Information

Season	Rotation Direction	Switch Position
Summer	Counter-Clockwise	Right
Winter	Clockwise	Left

Energy Efficient Use of Ceiling Fans

Ceiling fan performance and energy savings rely heavily on the proper installation and use of the ceiling fan. Here are a few tips to ensure quality and product performance.

Choosing the Appropriate Mounting Location.

Ceiling fans should be installed, or mounted, in the middle of the room and at least 7 feet above the floor and 18 inches from the walls. If ceiling height allows, install the fan 8 - 9 feet above the floor for optimal airflow. Consult your Emerson Retailer for optional mounting accessories.

Using the Ceiling Fan Year Round. In the summer, use the ceiling fan in the counter-clockwise direction. The airflow produced by the ceiling fan creates a wind-chill effect, making you "feel" cooler. Select a fan speed that provides a comfortable breeze, lower speeds consume less energy. In the winter, reverse the motor and operate the ceiling fan at low speed in the clockwise direction. This produces a gentle updraft, which forces warm air near the ceiling down into the occupied space. Remember to adjust your thermostat when using your ceiling fan - additional energy and dollar savings could be realized with this simple step!

Turn Off When Not in the Room. Ceiling fans cool people, not rooms. If the room is unoccupied, turn off the ceiling fan to save energy.

Trouble Shooting

⚠ WARNING: For your own safety, turn off power at fuse box or circuit breaker before trouble shooting your fan.

TROUBLE	PROBABLE CAUSE	SUGGESTED REMEDY
1. Fan will not start.	<ul style="list-style-type: none"> 1. Fuse or circuit breaker blown. 2. Loose electrical connections to the fan. 3. Reversing switch in neutral position. 4. Fan wall switch is OFF. 5. Fan/Light remote control is OFF. 6. Remote control battery is weak. 	<ul style="list-style-type: none"> 1. Check main and branch circuit fuses or circuit breakers. 2. Check line wire connections to fan . ⚠ WARNING: Make sure main power is turned OFF. 3. Make sure reversing switch position is all the way to one side. 4. Turn the switch ON. 5. Turn ON fan/light remote control. 6. Replace the remote control batteries.
2. Fan sounds noisy.	<ul style="list-style-type: none"> 1. Blades not attached to fan. 2. Loose screws in motor housing. 3. Screws securing fan blade flanges to motor hub are loose. 4. Screws holding blades to flanges are loose. 	<ul style="list-style-type: none"> 1. Attach blades to fan before operating. 2. Check to make sure all screws in motor housing are snug (not over-tight). 3. Check to make sure the screws which attach the fan flanges to the motor hub are tight. ⚠ WARNING: Make sure main power is turned OFF. 4. Tighten screws securely.
3. Fan wobbles excessively.	<ul style="list-style-type: none"> 1. Setscrews in motor coupling are not tightened securely. 2. Setscrew in hanger ball/downrod assembly is loose. 3. Screws securing fan blades to motor are loose. 4. Fan blades are not seated properly. 5. Hanger bracket and/or ceiling outlet box is not securely fastened. 6. Fan blades out of balance. 	<ul style="list-style-type: none"> 1. Raise coupling cover and tighten setscrews securely. 2. Tighten the setscrew in the hanger ball/ downrod assembly. 3. Check to be sure screws which attach the fan blade to the motor are tight. 4. Check to be sure that the screws securing the fan blades seat firmly. 5. Tighten the hanger bracket screws to the outlet box, and /or secure outlet box. 6. Interchanging an adjacent (side-by-side) blade pair can redistribute the weight and result in smoother operation. Or use supplied balancing kit to balance blades.

Maintenance

IMPORTANT CARE INSTRUCTIONS for your Ceiling Fan

Periodic cleaning of your new ceiling fan is the only maintenance that is needed.

When cleaning, use only a soft brush or lint free cloth to avoid scratching the finish.

Abrasive cleaning agents are not required and should be avoided to prevent damage to finish.

WARNING

Do not use water when cleaning your ceiling fan. It could damage the motor or the blades and create the possibility of an electrical shock.

Accessories

1. Ceiling Fan/Light Controls (see store or catalog).
2. Ceiling Fan Blades (see store or catalog).

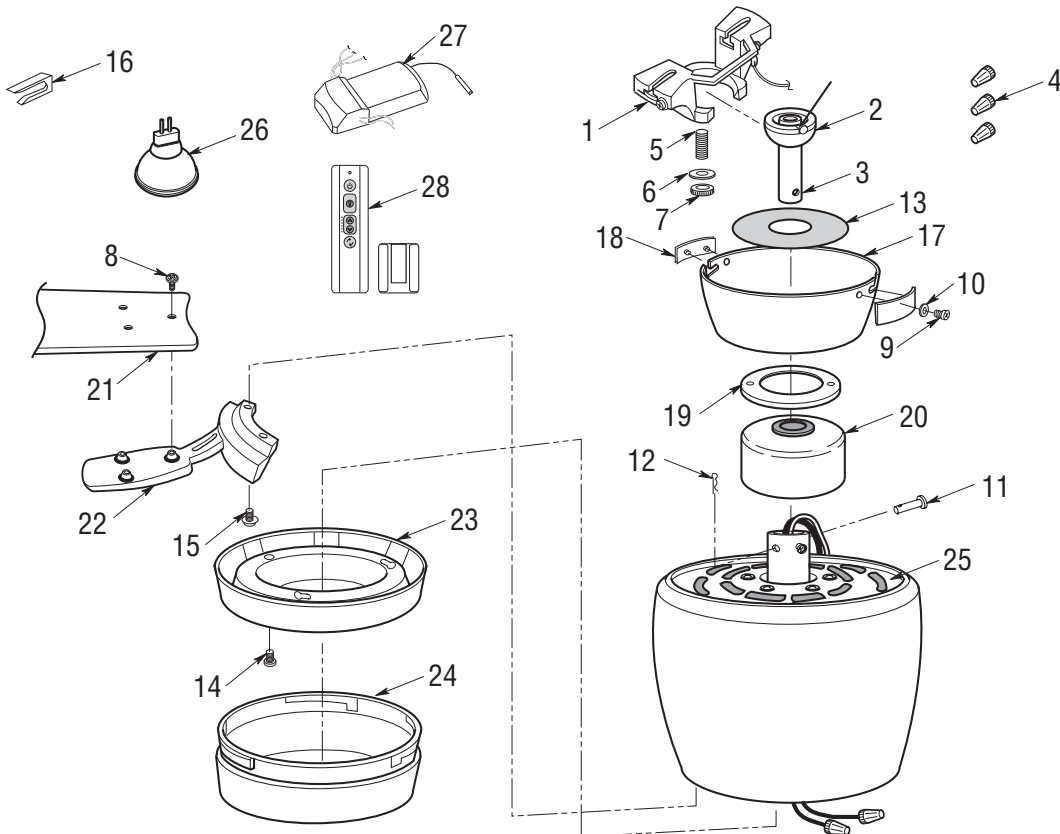
WARNING

The use of any other control not specifically approved for this fan could result in fire, shock and personal injury.

WARNING

This product is designed to use only those parts supplied with this product and/or any accessories designated specifically for use with this product by Emerson Electric Co. Substitution of parts or accessories not designated for use with this product by Emerson Electric Co. could result in personal injury or property damage.

Repair Parts



Repair Parts Listing

Key No.	Description	Model Numbers		
		CF230BS00	CF230ORB00	CF230WW00
*	Hanger Pack, Consisting of:	762231-4	762231-8	762231-1
1	Hanger Bracket (1)	—	—	—
2	Hanger Ball (1)	—	—	—
3	Downrod 4.5" (1)	—	—	—
*	Parts Bag Containing:	764149	764149-1	764149
4	12 ga. Wire Connectors (3)	—	—	—
5	Stud, Threaded #8-32 x 1-1/4" (2)	—	—	—
6	Lockwasher, External Tooth #8-32 x 1-1/4" (2)	—	—	—
7	Knob, Knurled #8-32 (2)	—	—	—
8	#10-24 x 5/16" Flange Head Blade Screws (13)	—	—	—
9	#10-24 x 3/16" Pan Head Screws (4)	—	—	—
10	#10 External Tooth Lock Washer (4)	—	—	—
11	Clevis Pin (1)	—	—	—
12	Hairpin Clip (1)	—	—	—
13	Rubber Gasket (1)	—	—	—
14	#8-32 x 5/16" Light Switch Screw (1 Spare)	—	—	—
15	1/4-20 x 9/16" Flange Screw w/Lockwasher (1 Spare)	—	—	—
16	Balancing Kit (1)	—	—	—
17	Cover, Ceiling (1)	764138-BS	764138-ORB	764138-WW
18	Ceiling Cover Trim Plug (2)	764030-BS	764030-ORB	764030-WW
19	Ceiling Cover Trim Ring (1)	764031-BS	764031-ORB	764031-WW
20	Cover, Coupler (1)	764139-BS	764139-ORB	764139-WW
21	Fan Blades (4)	764144-BS/CH	764144-ORB/DC	764144-BS/WW
22	Fan Blade Flanges (4)	764142-BS	764142-ORB	764142-WW
23	Light Kit Plate Assembly (1)	764146-BS	764146-ORB	764146-WW
24	Cover, Lower (1)	764147-BS	764147-ORB	764147-WW
25	Wiring Harness (1)	764148	764148	764148-1
26	Light Bulb, 50-Watt GU10 (1)	763494	763494	763494
27	Receiver	RCFP	RCFP	RCFP
28	Transmitter SR401	764090	764090	764090
—	Owner's Manual	BP7434	BP7434	BP7434

Before discarding packaging material, be certain all parts have been removed.

HOW TO ORDER REPAIR PARTS

WHEN ORDERING REPAIR PARTS, ALWAYS GIVE THE FOLLOWING INFORMATION:

- PART NUMBER
- PART DESCRIPTION
- NAME OF ITEM
- MODEL NUMBER

For repair parts, phone 1-800-654-3545.

LIMITED WARRANTY

What The Warranty Covers:

This warranty covers the motor and the other components and accessories of your Emerson ceiling fan against all defects in workmanship and materials. You must be the original purchaser or user of the product to be covered.

What The Period Of Coverage Is:

As it applies to the motor, this warranty will last for the lifetime of your ceiling fan. All other components and accessories are covered by this warranty for one year from the date you purchased your ceiling fan. ANY IMPLIED WARRANTY OF MERCHANTABILITY OR FITNESS FOR A PARTICULAR PURPOSE, MADE WITH RESPECT TO COMPONENTS AND ACCESSORIES IS ALSO LIMITED TO ONE YEAR.

What Will Emerson Electric Co. Do To Correct Problems:

Emerson Electric Co. will replace a defective Emerson Air Comfort Ceiling Fan motor, blade, component or other accessory at no charge to you. If repair of the motor or blades is not practical or possible within a reasonable time and no replacement can be provided, Emerson will refund the actual purchase price of your fan. **WE WILL SHIP THE REPAIRED PRODUCT OR REPLACEMENT TO YOU AT NO CHARGE, BUT YOU ARE RESPONSIBLE FOR ALL COSTS OR REMOVAL, REINSTALLATION AND SHIPPING OF THE PRODUCT TO EMERSON ELECTRIC CO.**

How Can You Get Service:

YOU MUST HAVE PROOF OF YOUR PURCHASE OF THE CEILING FAN TO OBTAIN LIMITED WARRANTY SERVICE. KEEP YOUR RECEIPT OR OTHER PROOF OF PURCHASE. You can return the product to our factory or to your nearest authorized service center.

- To return the product to the factory, obtain a return authorization and service identification tag by writing to Air Comfort Products, Division of Emerson Electric Co., 8100 W. Florissant Ave., St. Louis, MO 63136. Include all model numbers shown on the product with your request.
- To return the product to an authorized service center, call 1-800-654-3545 for the address of the nearest authorized service center.

You will be responsible for all insurance, freight or other transportation charges to our factory or authorized service center. Your Emerson Air Comfort Ceiling Fan should be properly packed to avoid damage in transit since we will not be responsible for any such damage.

What Is Not Covered:

The glass globes and light bulbs of your ceiling fan are not covered by this warranty. This warranty also does not cover any defects, malfunctions or failures caused by:

- Repairs by persons not authorized by Emerson Electric Co.,
 - Use of parts or accessories not authorized by Emerson Electric Co.,
 - Mishandling, improper installation, modifications or damage to your ceiling fan while in your possession, or
 - Unreasonable use, misuse, abuse, including failing to do reasonable and necessary maintenance, and normal wear and tear.
- Additionally, this warranty and any implied warranty of merchantability or fitness for a particular purpose are voided when:
- The original purchaser or user ceases to own the product, or
 - The fan is moved from its original point of installation.

This warranty is only valid within the 50 states of the United States and the District of Columbia. No other written or oral warranties apply, and no employee, agent, dealer or other person is authorized to give any warranties on behalf of Emerson Electric Co.

REPAIR, REPLACEMENT OR A REFUND ARE THE EXCLUSIVE REMEDIES AVAILABLE UNDER THIS WARRANTY AND EMERSON IS NOT RESPONSIBLE FOR DAMAGES OF ANY KIND, INCLUDING INCIDENTAL AND CONSEQUENTIAL DAMAGES. Incidental damages include but are not limited to such damages as loss of time and loss of use. Consequential damages include but are not limited to the cost of repairing or replacing other property which was damaged if this product does not work properly.

How State Law Relates To The Warranty:

Some states do not allow the exclusion or limitation of incidental or consequential damages so the above exclusion or limitation may not apply to you. This warranty gives you specific legal rights, and you may also have other rights which vary from state to state.



EMERSON

Air Comfort Products

DIVISION OF EMERSON ELECTRIC CO.
8100 W. Florissant • St. Louis, MO 63136