

# READ AND SAVE THESE INSTRUCTIONS



# EMERSON™

## IMPORTANT SUPPLEMENTAL INSTRUCTIONS FOR CORRECT INSTALLATION OF THE CF3600 SWITCH ADAPTER PLATE

After completing installation 7 on page 6 of the owner's manual, install the Switch Adapter Plate as shown below.

1. Remove and retain one of the three pan head screws from the motor flange (Figure 1); loosen the other two pan head screws three or four turns. Position the switch adapter plate on the motor flange so that the two screws mate with the two keyhole slots in the adapter (Figure 2).
2. Turn the switch adapter plate clockwise and tighten both screws (Figure 2). Reinstall the other pan head screw in the remaining hole in the adapter.

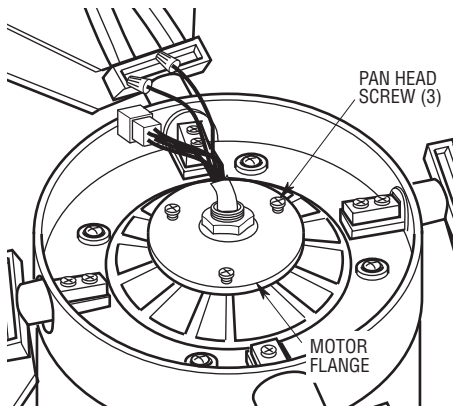


Figure 1

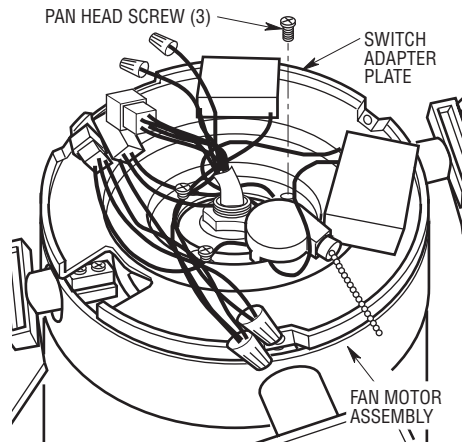
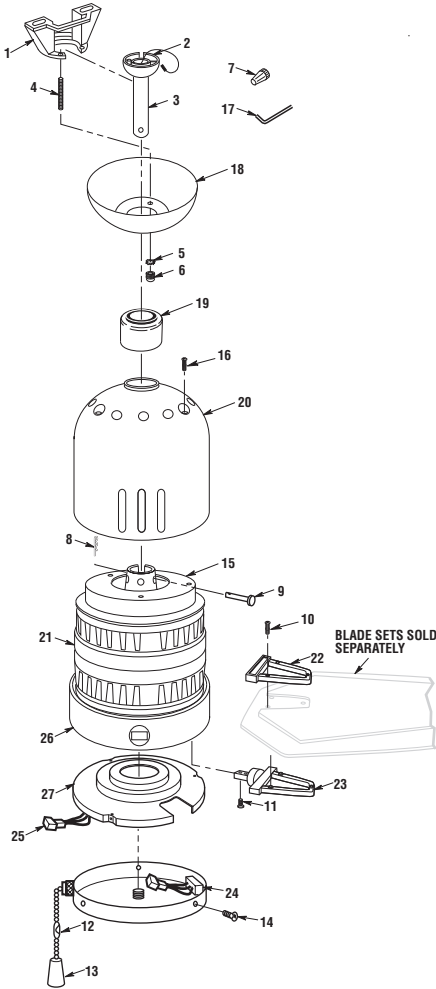


Figure 2

Continue assembling the fan per instruction 8 on page 6 of the owner's manual.

# Repair Parts



**Before discarding packaging material, be certain all parts have been removed.**

## HOW TO ORDER REPAIR PARTS

WHEN ORDERING REPAIR PARTS, ALWAYS GIVE THE FOLLOWING INFORMATION:

- PART NUMBER      • PART DESCRIPTION
- NAME OF ITEM      • MODEL NUMBER

The model number of your Fan will be found on a label attached to the top housing.  
For repair parts, phone 1-800-654-3545.

# Repair Parts Listing

Key No.	Description	Part Numbers	
		Model No. CF3600AP00	Model No. CF3600RH00
*	Hanger Pack, Consisting of:	761655-80	761655-65
1	Hanger Bracket Assembly (1)	—	—
2	Hanger Ball (1)	—	—
3	Downrod (1)	—	—
*	Parts Bag, Containing:	763862	763862
4	Stud, Threaded, #8-32 x 1-1/4" (2)	—	—
5	Lockwasher, External Tooth #8-32 (2)	—	—
6	Knob, Knurled #8-32 (2)	—	—
7	Connector, Wire, 12 Ga. (3)	—	—
8	Pin, Clevis (1)	—	—
9	Clip, Hairpin (1)	—	—
10	Screw, Oval Head Blade (13)	—	—
11	Screw, Flat Head Flange (9)	—	—
12	Coupling, Chain (1)	—	—
13	Pendant (1)	—	—
14	Screw, Flat Head Switch Cover (4)	—	—
15	Setscrew (1)	—	—
16	Screw, Pan Head (4)	—	—
17	Hex Wrench (1)	—	—
18	Cover, Ceiling (1)	761795-9	761795-8
19	Cover, Coupling (1)	763631	763631-1
20	Cover, Fan Motor (1)	763633	763633-1
21	Motor Assembly (1)	762508	762508
22	Medallion (set of four)	763896	763896-1
23	Flange (set of four)	763636	763636-1
24	Cover Assembly, Switch (1)	763866	763866-1
25	Harness, Electrical (1)	763641	763641
26	Hub, Motor (1)	760601	760601
27	Switch Adapter Plate (1)	763634	763634-1
—	Owner's Manual (1)	BP7384	BP7384



**Air Comfort Products**  
DIVISION OF EMERSON ELECTRIC CO.  
8100 W. Florissant • St. Louis, MO 63136