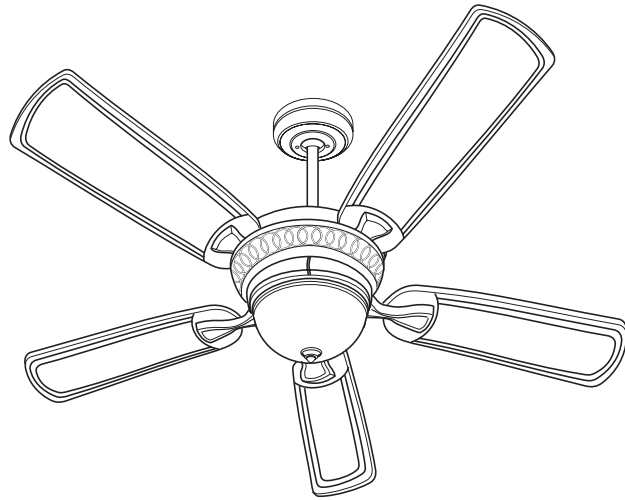


READ AND SAVE THESE INSTRUCTIONS



EMERSON™

BRADDOCK™

54" Ceiling Fan Owner's Manual

Model Number

CF440VNB00

Net Weight: **29.5** Lbs.

DATE CODE: _____

The date code of this fan may be found on the box, stamped in ink on a white label.
You should record this data above and keep it in a safe place for future use.

WARNING

WARNING: To avoid fire, shock, and serious personal injury, follow these instructions.

Safety Instructions

1. Read your owner's manual carefully and keep it for future reference.
2. Before servicing or cleaning unit, switch power off at service panel and lock service panel disconnecting means to prevent power from being switched on accidentally. When the service disconnecting means cannot be locked, securely fasten a warning device, such as a tag, to the service panel.
3. Be careful of the fan and blades when cleaning, painting, or working near the fan. Always turn off the power to the ceiling fan before servicing.
4. Do not put anything into the fan blades while they are turning.
5. Do not operate reversing switch until fan blades have come to a complete stop.

Additional Safety Instructions for Installation

1. To avoid possible shock, be sure electricity is turned off at the fuse box before wiring, and do not operate fan without blades.
2. All wiring must be in accordance with the National Electrical Codes "ANSI/NFPA 70-2011" and Local Electrical Codes. Use the National Electrical Code if Local Codes do not exist. The ceiling fan must be grounded as a precaution against possible electrical shock. Electrical installation should be made or approved by a licensed electrician.
3. The outlet box and joist must be securely mounted and capable of reliably supporting at least 50 pounds. Use only U.L. outlet boxes listed as "Acceptable for Fan Support of 22.7 kg. (50 lbs.) or less", and use the mounting screws provided with the outlet box. Most outlet boxes commonly used for support of light fixtures are not acceptable for fan support and may need to be replaced. Consult a qualified electrician if in doubt.
4. The downrod furnished with the fan provides the minimum recommended floor to fan blade clearance for an 8 foot ceiling.
5. The fan must be mounted with the fan blades at least 7 feet from the floor to prevent accidental contact with the fan blades.
6. Follow the recommended instructions for the proper method of wiring your ceiling fan. If you do not know enough about electrical wiring, have your fan installed by a licensed electrician.

NOTE: All setscrews must be checked and re-tightened where necessary before installation.

NOTE: This fan is suitable for use with solid-state speed controls.

WARNING: To reduce the risk of fire or electric shock, this fan should only be used with fan speed control, Model No. UC7067RAL manufactured by Rhine Electric Co., Ltd.

WARNING: To avoid fire, shock or injury, do not use an Emerson or any other brand of control not specifically approved for this fan.

WARNING: This product is designed to use only those parts supplied with this product and/or any accessories designated specifically for use with this product by Emerson Electric Co. Substitution of parts or accessories not designated for use with this product by Emerson Electric Co. could result in personal injury or property damage.

WARNING: To reduce the risk of personal injury, do not bend the blade flange when installing the blade flanges, balancing the blades or cleaning the fan. Do not insert foreign objects in between rotating fan blades.

WARNING: To reduce the risk of electrical shock, this fan must be installed with an isolating wall control/switch.

This Manual Is Designed to Make it as Easy as Possible for You to Assemble, Install, Operate and Maintain Your Ceiling Fan

Tools Needed for Assembly

One Phillips head screwdriver One stepladder
One 1/4" blade screwdriver One wire stripper

Installed Wire Length

Up to 50 ft.
50-100 ft.

Wire Size A.W.G.

14
12

MATERIALS

Wiring outlet box and box connectors must be of type required by the local code. The minimum wire would be a 3-conductor (2-wire with ground) of the following size:

WARNING

Before assembly your ceiling fan, refer to section on proper method of wiring your fan (page 8). If you feel you do not have enough wiring knowledge or experience, have your fan installed by a licensed electrician.

Unpacking Instructions

▲ WARNING

Do not install or use fan if any part is damaged or missing. Call Toll-Free:

1-800-654-3545

▲ WARNING

This product is designed to use only those parts supplied with this product and/or any accessories designated specifically for use with this product by Emerson Electric Co. Substitution of parts or accessories not designated for use with this product by Emerson Electric Co. could result in personal injury or property damage.

1. Check to see that you have received the following parts:

NOTE: If you are uncertain of part description, refer to exploded view illustration.

- a. Fan motor assembly
- b. One ceiling cover
- c. One coupling cover
- d. One upper decorative assembly
- e. One upper glass
- f. One light kit retention ring
- g. Five fan blades
- h. Five fan blade flanges
- i. One light kit assembly including one finial nut
- j. One lower glass
- k. One hanger bracket
- l. One hanger ball/4.5" downrod assembly
- m. One receiver and 4-speed hand control
- n. Four 15-watt (maximum) candelabra base uplight bulbs
- o. Two 60-watt (maximum) candelabra base downlight bulbs
- p. One loose parts bag containing:
 1. One clevis pin
 2. One hairpin clip
 3. Three 12 ga. wire connectors
 4. Two #8-32 x 1-1/4" threaded studs
 5. Two #8 external tooth lockwashers
 6. Two #8-32 knurled knobs
 7. Sixteen #10-24 x .50" washer head blade screws
 8. Sixteen #10 x .63 flat washers
 9. One spare 1/4-20 x .56" captive screw with lockwasher
 10. One spare #8-32 x .31" pan head screw
 11. One balancing kit

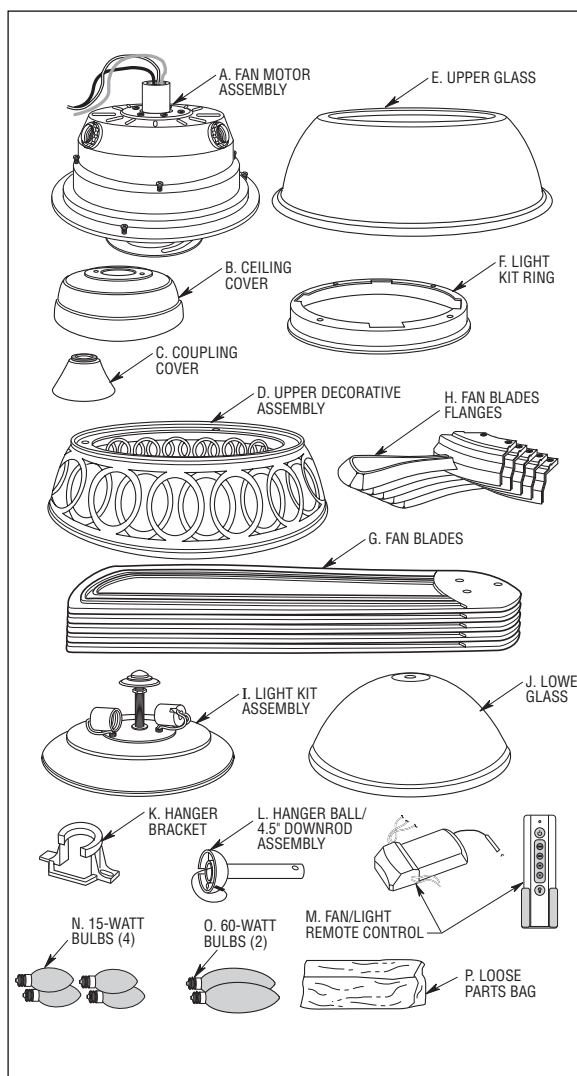
NOTE: Place the parts from the loose parts bags in a small container to keep them from being lost. If any parts are missing, contact your local retailer or catalog outlet for replacement before proceeding.

2. Remove and discard the two cardboard shipping pads securing the motor hub in the motor housing assembly.

NOTE: Failure to remove the cardboard pads will result in noisy fan operation.

3. Remove the lower styrofoam pad from the carton and place on a stable work surface.

4. Remove the fan motor assembly from the protective plastic bag and set on top of the lower styrofoam padding. Place all carton contents on a soft protective surface.



Electrical Requirements

Your new ceiling fan will require a grounded electrical supply line of 120 volts AC, 60 Hz, 15 amp circuit.

The outlet box must be securely anchored and capable of withstanding a load of at least 50 pounds.

⚠ WARNING

To reduce the risk of fire, electrical shock, or personal injury, mount fan to outlet box marked "Acceptable for Fan Support of 22.7 kg. (50 lbs.) or less", and use screws supplied with outlet box. Most outlet boxes commonly used for support of light fixtures are not acceptable for fan support and may need to be replaced. Consult a qualified electrician if in doubt.

If your fan is to replace an existing ceiling light fixture, turn electricity off at the main fuse box at this time and remove the existing light fixture.

⚠ WARNING

Turning off wall switch is not sufficient. To avoid possible electrical shock, be sure electricity is turned off at the main fuse box before wiring. All wiring must be in accordance with National and Local codes and the ceiling fan must be properly grounded as a precaution against possible electrical shock.

⚠ WARNING

To avoid fire or shock, follow all wiring instructions carefully. Any electrical work not described in these instructions should be done or approved by a licensed electrician.

How to Put Your Ceiling Fan Together

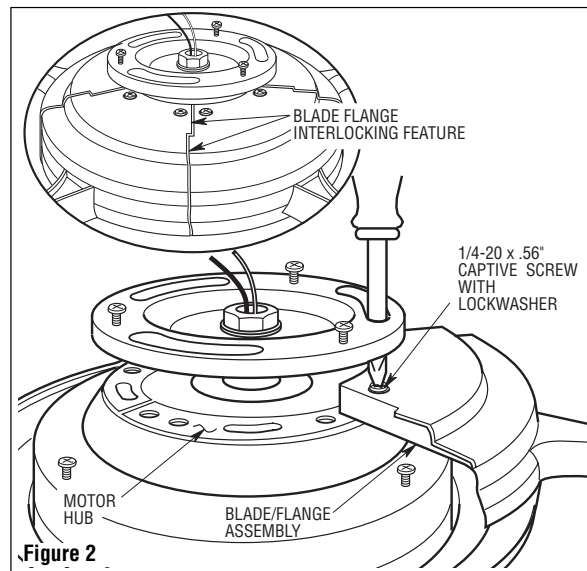
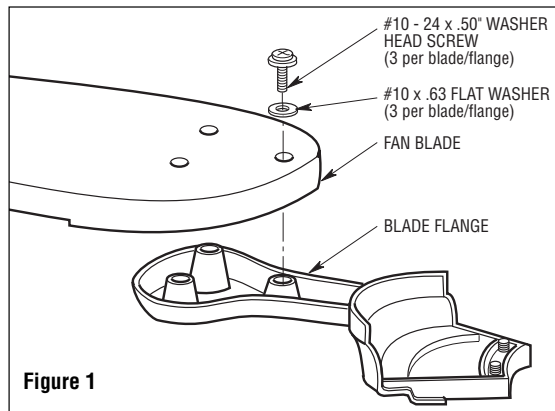
1. Mount blade flanges to fan blades using three #10-24 x .50" washer head blade screws and three #10 x .63 flat washers (Figure 1). Do not overtighten the screws.

⚠ WARNING

To reduce the risk of personal injury, do not bend the blade flange when installing the blade flanges, balancing the blades or cleaning the fan. Do not insert foreign objects in between rotating fan blades.

NOTE: Take care not to scratch fan housing when installing blades.

2. Loosely attach one blade/flange assembly to the motor hub using the two 1/4-20 x .56" captive screws with lockwashers. Make sure the screws are NOT fully tightened. (Figure 2.) Repeat this procedure for other four blade assemblies.
3. The blade flanges have an interlocking feature that must be fully engaged before tightening the screws. Make sure all the flanges are properly engaged and then securely tighten the flange screws. If one of the flanges does not seat properly on the motor hub, loosen the adjacent flange screws, re-engage and reseat the flanges, then securely tighten the screws again.



How to Put Your Ceiling Fan Together (continued)

WARNING

Turning off wall switch is not sufficient. To avoid possible electrical shock, be sure electricity is turned off at the main fuse box before wiring. All wiring must be in accordance with National and Local codes and the ceiling fan must be properly grounded as a precaution against possible electrical shock.

1. Turn partially assembled ceiling fan upside down in preparation of upper assembly installation. Carefully place the partially assembled ceiling fan on the styrofoam, making sure the blades are supporting the fan's weight on the flanges, not the blades.
2. Remove the hanger ball by loosening the setscrew in the hanger ball until the ball falls freely down the downrod (Figure 3). Remove the pin from the downrod, then remove the hanger ball. Retain the pin and hanger ball for reinstallation in Step 12.
3. Loosen setscrews in motor coupling. Separate, untwist and unkink the four 80" motor leads. Route the motor lead wires through the downrod. Insert the downrod into the motor coupling. Align the clevis pin holes in the downrod with the holes in the motor coupling. Install the clevis pin and secure with the hairpin clip (Figure 4). The clevis pin must go through the holes in the motor coupling and the holes in the downrod. Be sure to push the straight leg of the hairpin clip through the hole near the end of the clevis pin until the curved portion of the hairpin clip snaps around the clevis pin. The hairpin clip must be properly installed to prevent the clevis pin from working loose. Pull on the downrod to make sure the clevis pin is properly installed.
4. While pulling up on the downrod, securely tighten the two setscrews in the motor coupling (Figure 4).

NOTE: The setscrews must be properly installed as described above, or fan wobble could result.

WARNING

It is critical that the clevis pin in the motor coupling is properly installed and the setscrews securely tightened. Failure to verify that the pin and setscrews are properly installed could result in the fan falling.

5. Remove the three #8-32 x .31" pan head screws (retain for future installation) from the top of the fan motor housing (Figure 5).
6. Place the upper decorative assembly onto the fan motor housing, aligning the screw holes. To secure the upper decorative assembly to the fan motor housing, reinstall the three #8-32 x .31" pan head screws (Figure 5).

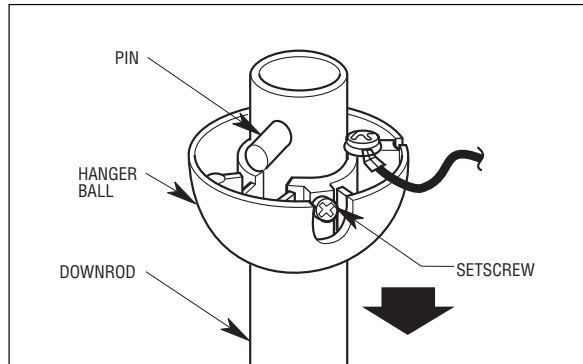


Figure 3

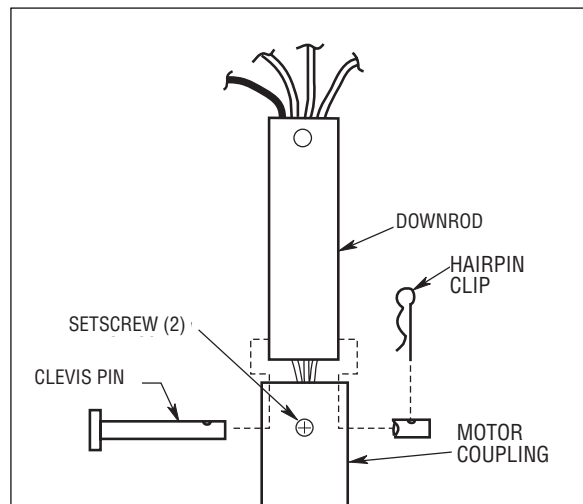


Figure 4

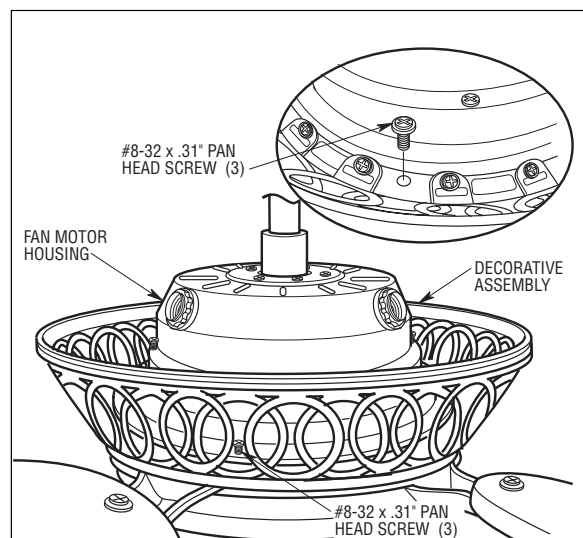


Figure 5

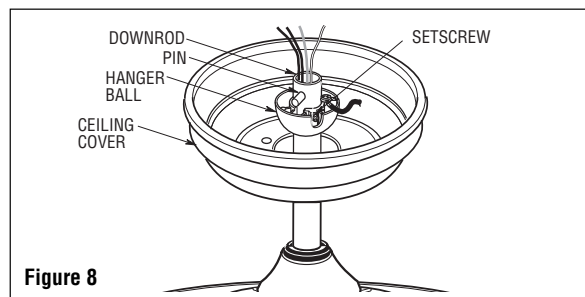
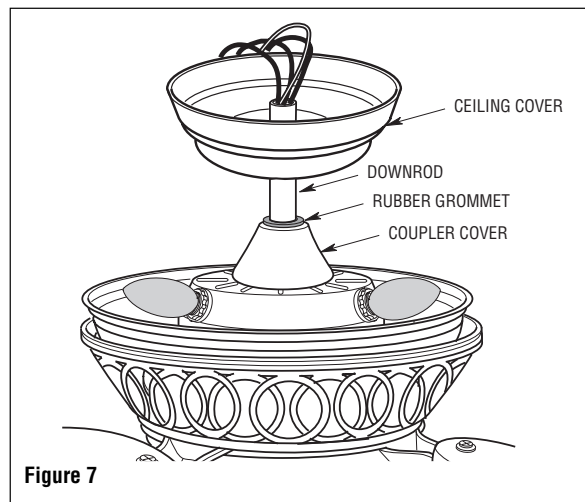
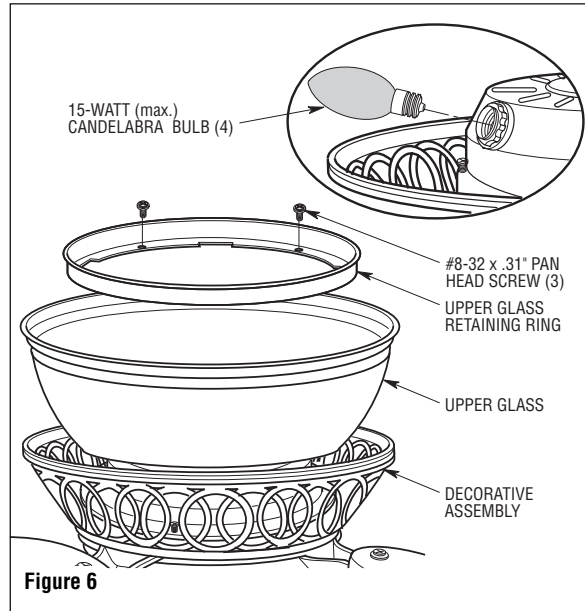
How to Put Your Ceiling Fan Together (continued)

- Remove the three #8-32 x .31" pan head screws from the fan motor housing (retain for future installation).
- Carefully place the upper glass into the fan motor housing assembly (Figure 6).
- Place the upper light kit retaining ring onto the fan motor housing, aligning the screw holes. To secure the light kit ring to the fan motor housing, reinstall the three #8-32 x .31" pan head screws (Figure 6).
- Install the four 15-watt (maximum) candelabra base upright bulbs into the upright sockets (Figure 6).
- Make sure the rubber grommet is properly installed in the coupler cover then slide the coupler cover onto the downrod until it rests on top of the motor housing. Place the ceiling cover over the downrod. Be sure both the ceiling cover and the coupler cover are oriented correctly (Figure 7).
- Route the motor leads through the hanger ball. Reinstall the hanger ball (Figure 8) on the downrod. Reinstall the pin through the two holes in the downrod. Slide the ball upwards and align the ball so the pin is captured in the groove in the top of the hanger ball. Pull the hanger ball up tight against the pin and securely tighten the setscrew in the hanger ball. A loose setscrew could create fan wobble.

WARNING

It is critical that the pin in the hanger ball is properly installed and the setscrew is securely tightened. Failure to verify that the pin and setscrew are properly installed could result in the fan falling.

- The fan comes with blue, yellow, black and white leads that are 80" long. Before installing fan, measure up approximately 6 to 9-inches above top of hanger ball/downrod assembly. Cut off excess leads and strip back insulation 1/2-inch from end of leads.



How to Hang Your Ceiling Fan

⚠ WARNING

Turning off wall switch is not sufficient. To avoid possible electrical shock, be sure electricity is turned off at the main fuse box before wiring. All wiring must be in accordance with National and Local codes and the ceiling fan must be properly grounded as a precaution against possible electrical shock.

⚠ WARNING

The fan must be hung with at least 7' of clearance from floor to blades (Figure 10).

⚠ WARNING

The outlet box and joist must be securely mounted and capable of supporting at least 50 lbs. Use only a U.L. outlet box listed as "Acceptable for Fan Support of 22.7 kg. (50 lbs.) or less".

⚠ WARNING

To reduce the risk of fire, electrical shock, or personal injury, mount fan to outlet box marked "Acceptable for Fan Support of 22.7 kg. (50 lbs.) or less", and use screws supplied with outlet box. Most outlet boxes commonly used for support of light fixtures are not acceptable for fan support and may need to be replaced. Consult a qualified electrician if in doubt.

1. With the branch circuit electricity turned off at the breaker panel or fuse box, securely attach the hanger bracket to the outlet box using the two screws supplied with the outlet box. (Figure 10.)
2. Carefully lift the fan and seat the hanger ball/downrod assembly onto the hanger bracket that was just attached to the outlet box (Figure 10). Rotate the entire fan assembly until the ball groove engages the anti-rotation tab. Be sure the groove in the ball engaged the anti-rotation tab on the hanger bracket (Figure 11).

⚠ WARNING

Hanger bracket must seat firmly against outlet box. If the outlet box is recessed, remove wall board until bracket contacts box. If bracket and/or outlet box are not securely attached, the fan could wobble or fall.

⚠ WARNING

Failure to seat tab in groove could cause damage to electrical wires and possible shock or fire hazard.

⚠ WARNING

To avoid possible fire or shock, do not pinch wires between the hanger ball/downrod assembly and hanger bracket.

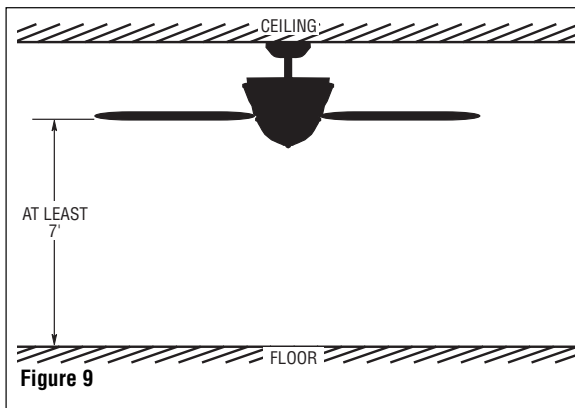


Figure 9

NOTE: CEILING COVER OMITTED FOR CLARITY.

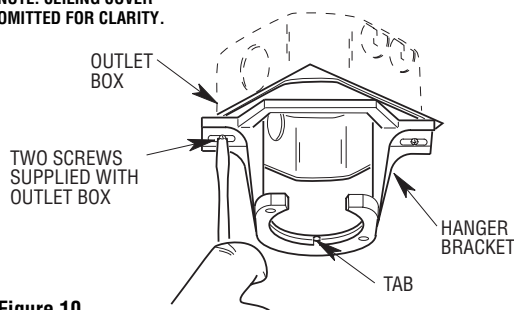


Figure 10

NOTE: CEILING COVER, SUPPLY WIRES AND FAN WIRES OMITTED FOR CLARITY.

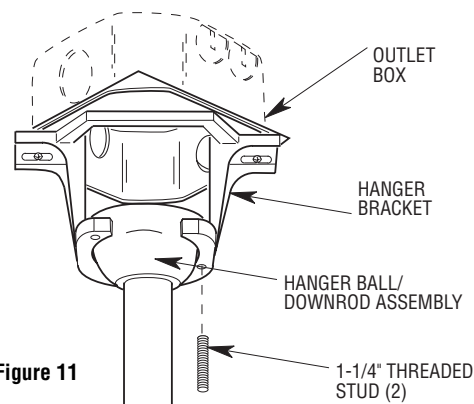


Figure 11

How to Wire Your Ceiling Fan

If you feel that you do not have enough electrical wiring knowledge or experience, have your fan installed by a licensed electrician.

⚠ WARNING

Turning off wall switch is not sufficient. To avoid possible electrical shock, be sure electricity is turned off at the main fuse box before wiring. All wiring must be in accordance with National and Local codes and the ceiling fan must be properly grounded as a precaution against possible electrical shock.

CAUTION: To reduce the risk of electrical shock, disconnect the electrical supply circuit before installing the fan, light kit or receiver.

1. Position the supply wires to the left side of the outlet box (Figure 12); position the fan wires to the right side. Partially insert the remote control receiver (flat side up) until one end rests on the hanger ball as shown in Figure 12.

NOTE: Make all wiring connections using wire connectors (supplied). Make sure that all connections are tight, including ground, and that no bare wire is visible at the wire connectors, except for the ground wire.

2. Refer to Figure 12 and 13 and connect the receiver wires to the supply wires and the fan motor wires as follows:
 - a. Securely connect the green grounding wires from the hanger ball and the hanger bracket to the supply grounding conductor (this may be a bare wire or a wire with green insulation).
 - b. Securely connect the supply white (neutral) wire to the receiver white (AC IN N) wire.
 - c. Securely connect the supply black wire (hot) wire to the receiver black (AC IN L) wire.
 - d. Securely connect the fan motor white wire to the receiver white (TO MOTOR N) wire.
 - e. Securely connect the fan motor black wire to the receiver black (TO MOTOR L) wire.
 - f. Securely connect the fan motor blue wire and yellow wire to the receiver blue (FOR BOTTOM LIGHT) wire.
3. Push the wires and connectors up into the outlet box while inserting the receiver fully into the hanger bracket.
4. Position the antenna wire on top of the receiver.
5. Screw the two threaded studs (supplied) into the tapped holes in the hanger bracket.
6. Lift the ceiling canopy up to the threaded studs and turn until studs protrude through the holes in the ceiling canopy (Figure 14).
7. Secure the ceiling canopy in place by sliding lockwashers over the threaded studs and installing the two knurled knobs (supplied). (Figure 14). Tighten the knurled knobs securely until the ceiling canopy fits snugly against the ceiling and the hole in the ceiling canopy is clear of the downrod.

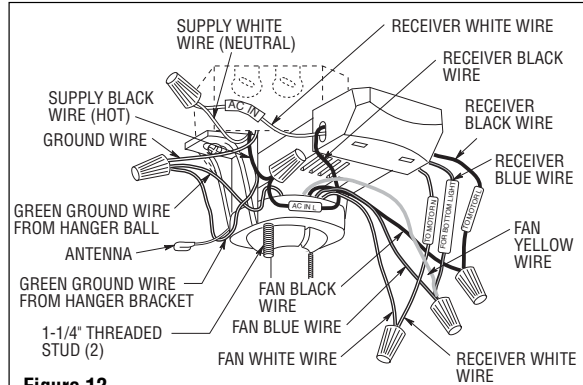


Figure 12

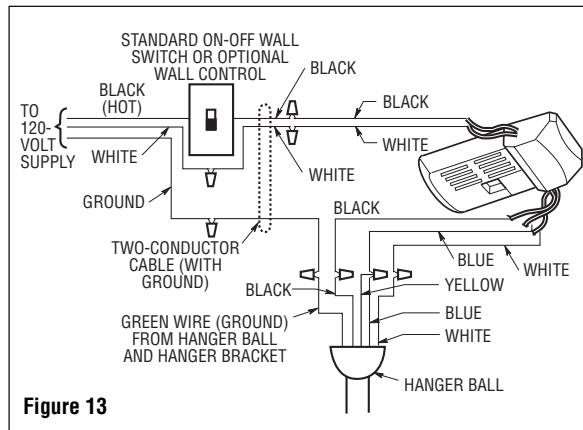


Figure 13

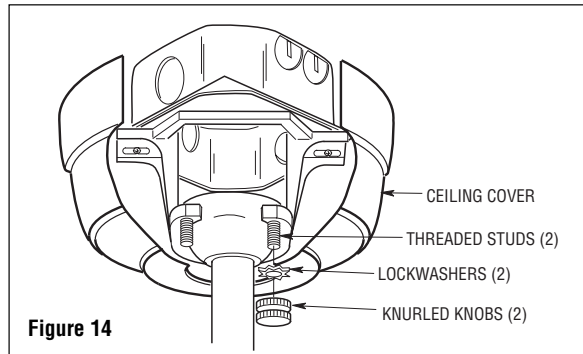


Figure 14

⚠ WARNING

Check to see that all connections are tight, including ground, and that no bare wire is visible at the wire connectors, except for the ground wire. Do not operate fan until blades are in place. Noise and fan damage could result.

⚠ WARNING

To avoid possible fire or shock, make sure that the electrical wires are completely inside the outlet box and not pinched between the ceiling cover and the ceiling.

Lower Light Kit Assembly

1. With the fan assembly safely installed on the mounting bracket, remove and retain the wire connectors from the white and blue wires located on the bottom of the motor (Figure 15).
2. Connect the white wire from the ceiling fan to the white wire of the light kit assembly (Figure 15). Connect the blue wire from the ceiling fan to the black wire of the light kit assembly. Use wire connectors (previously removed) to make connections.
3. Remove one of the one of the three screws from the light kit adapter plate and loosen the remaining two screws (Figure 15).

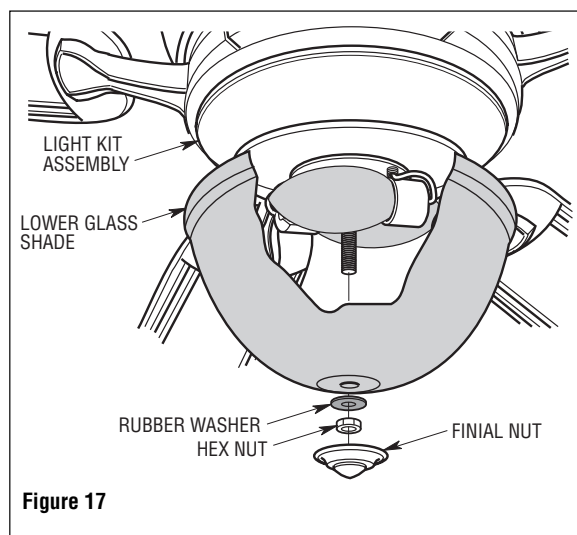
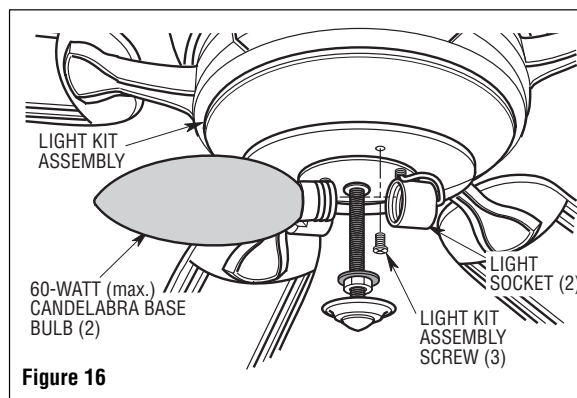
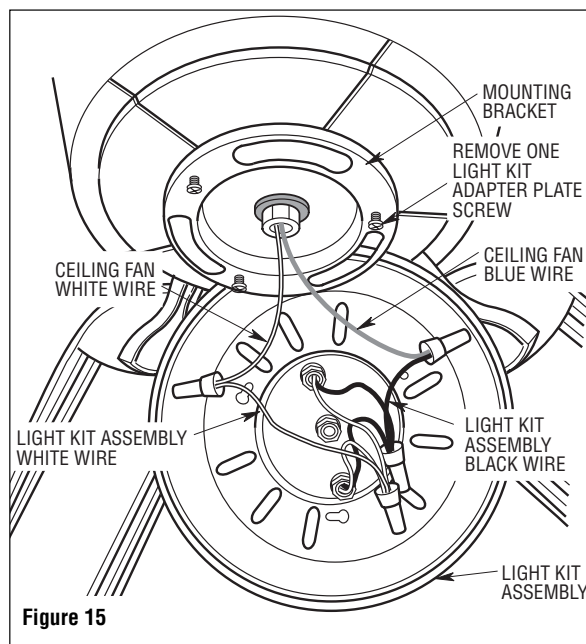
NOTE: Make sure all wires and connector are tucked under the light kit assembly and not pinched between light kit assembly and light kit adapter.

4. Position the light kit assembly under the light kit adapter plate, align the two key slots on the light kit with the two screw heads loosened earlier. Rotate the light kit assembly to engage the two screws into both slots and tighten both screws (Figure 16). Securely re-install the screw, previously removed, into the remaining hole of the light kit assembly.
5. Screw in two 60-watt (maximum) candelabra base bulbs into the downlight assembly sockets (Figure 16).
6. Remove the finial nut, hex nut and rubber washer from the light kit's threaded nipple. Retain for reinstallation.
7. Place the lower glass onto the threaded nipple and seat the glass onto the light kit assembly (Figure 17). While holding the glass in position, tightly re-install the rubber washer, hex nut, and finial nut. Securely re-install the finial nut onto the threaded nipple.

NOTE: Periodically check that the glass bowl is seated correctly onto the light kit assembly and the hex nut and finial nut are tightly fastened.

8. Installation of your ceiling fan is now complete. Restore electrical power to the branch circuit at the fuse box or breaker panel.

Please call Emerson technical support at 1-800-654-3545 if you have any questions about installation and operation of this ceiling fan.



Transmitter and Receiver Instructions

General

Your Emerson Ceiling Fan/Light Remote Control consists of hand-held transmitter and a receiver which is mounted under the fan ceiling cover. The remote control is designed to separately control your ceiling fan speed and light intensity. There are four push buttons (., .., ...,) to set the fan speed and turn the fan off. The light (💡) push button turns the light on and off and controls the light intensity. The blue indicator light will illuminate while any button is pressed, indicating that the battery is good.

The remote control transmitter is powered by two AAA alkaline batteries (included). To prevent possible damage if the batteries should leak, be sure to remove the batteries when the control is not to be used for an extended period of time.

Code switches in the transmitter may be set in 32 different positions. If your fan and light go on and off without using your control, you may be getting interference from other remote units such as garage door openers, car alarms or security systems. To remedy this situations, simply change the transmitter code per the below section.

Preset Memory Feature

Your Emerson receiver is equipped with a preset memory feature. If the AC supply to the receiver is powered through a wall switch, when the switch is turned OFF, the control will remember the light intensity and fan speed. When the switch is turned back ON the light and fan will resume operation as they were prior to the switch being turned OFF.

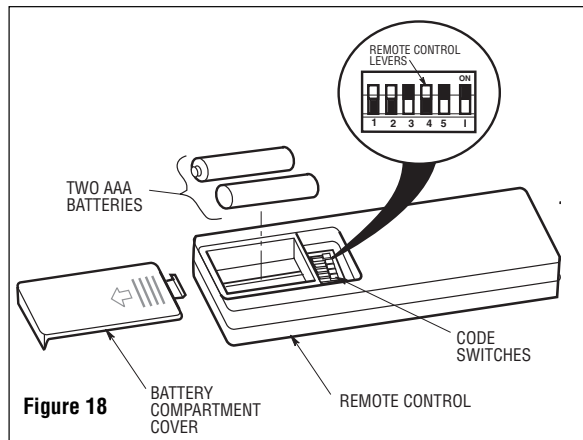
Installation of Battery

1. Remove the battery cover by pressing firmly below the arrow and sliding the cover off the control (Figure 18).
2. Install two AAA alkaline batteries.

Setting Operating Frequency of Transmitter (Figure 18)

Your remote control transmitter has code switches which must be set in one of 32 possible code combinations. The five levers (numbered 1, 2, 3, 4, and 5) on the switches are factory-set in the ON (up) position. Do not use this setting. Change the switch settings as follows:

1. Slide the five switch levers in the remote control (transmitter) to your choice of ON (up) or down positions. Use a ball-point pen or small screwdriver and slide the levers firmly up or down.
2. The sixth switch marked ON and I is for dimming control of lights: Set switch to ON to allow for dimming of the lights. Set switch to I for no dimming of the lights such as for fluorescent bulbs.



3. Reinstall the transmitter battery cover.
4. Restore electrical power to the branch circuit at the circuit breaker or fuse panel.
5. Turn the wall switch "On".
6. Within 1 minute of restoring electricity, push and hold the "Off" (symbol) button for 3-5 seconds to program the receiver with the transmitter code. If turned on, the fans lights will blink when the code is set.
7. Proceed to the next section to learn how to operate your ceiling fan.

Installation of Storage Bracket

A storage bracket is provided for holding your remote control when not in use. If you desire to use the bracket, install it on a wall that is away from excess heat or humidity.




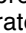
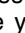



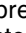

Remote Control Procedures

Operation of Remote Control

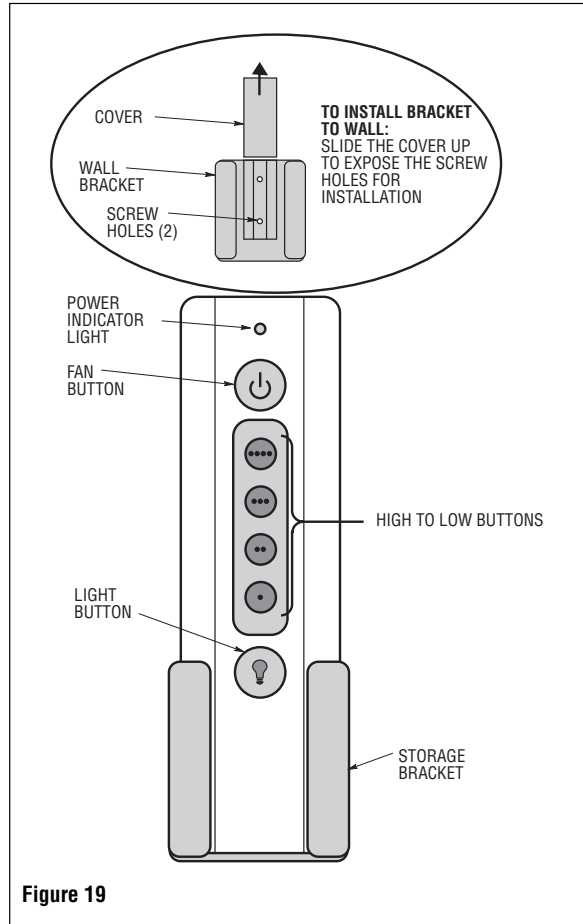
IMPORTANT

Fan installation must be completed, including the installation of the fan blades, before testing of the remote control.

Your remote control has full control of your fan and light (Figure 19).

1. To set the desired fan speed, hold the FAN () button down, then press one of the four buttons (, , , ) to operate your fan from low to high speeds.
2. To turn the light on and off, press the LIGHT () button down, then press one of the four buttons (, , , ) to operate your light intensity from low to high intensities.

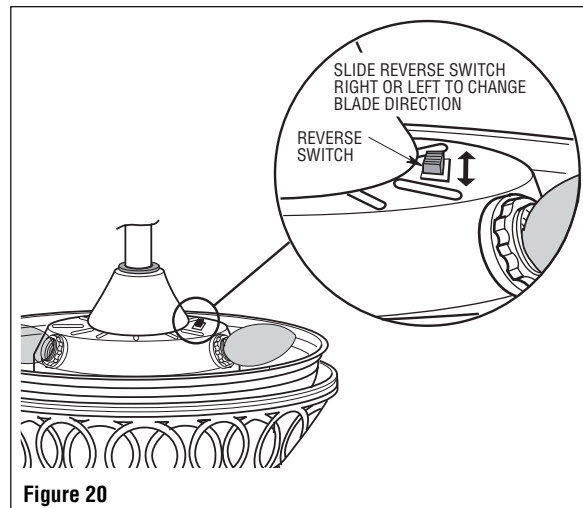
Note: When turning the light on, light will illuminate at the previously selected intensity.



Operation of Reverse Switch

All fans are shipped from the factory with the reversing switch positioned to circulate air downward. If airflow is desired in the opposite direction, turn your fan off and wait for the blades to stop turning, then slide the reversing switch to the opposite position, and turn fan on again. The fan blades will turn in the opposite direction and reverse the airflow (Figure 20).

- Warm weather - (Counterclockwise) A downward air flow creates a cooling effect. This allows you to set your air conditioner on a higher setting without affecting your comfort. The switch is in the left position.
- Cool weather - (Clockwise) An upward air flow moves warm air off the ceiling. This allows you to set your heating unit on a lower setting without affecting your comfort. The switch is in the right position.



Maintenance

IMPORTANT CARE INSTRUCTIONS for your Ceiling Fan

Periodic cleaning of your new ceiling fan is the only maintenance that is needed.

When cleaning, use only a soft brush or lint free cloth to avoid scratching the finish.

Abrasive cleaning agents are not required and should be avoided to prevent damage to finish.

WARNING

Do not use water when cleaning your ceiling fan. It could damage the motor or the blades and create the possibility of an electrical shock.

Accessories

1. Ceiling Fan/Light Controls (see store or catalog).
2. Downrod Extension Kits (see store or catalog).

WARNING

The use of any other control not specifically approved for this fan could result in fire, shock and personal injury.

WARNING

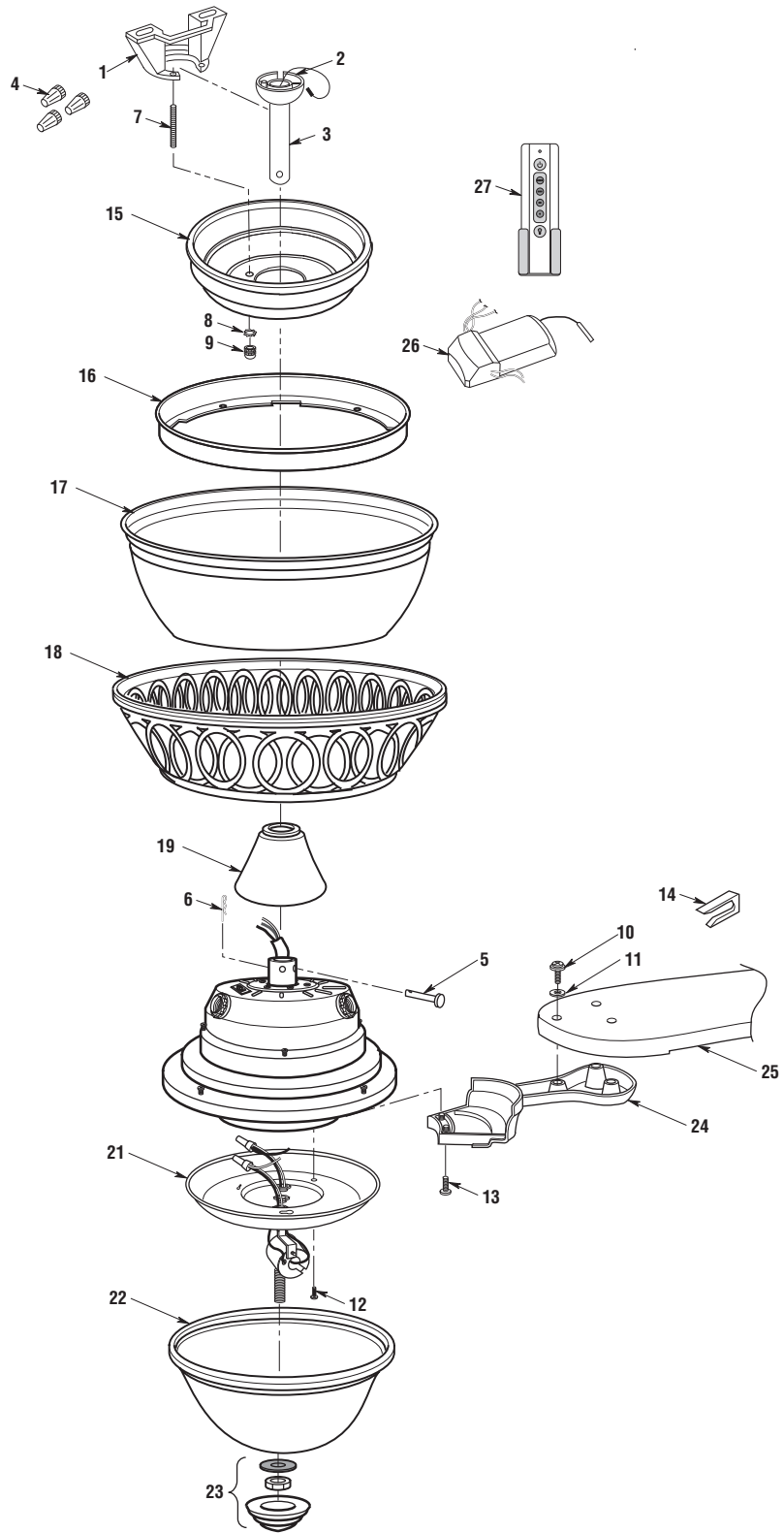
This product is designed to use only those parts supplied with this product and/or any accessories designated specifically for use with this product by Emerson Electric Co. Substitution of parts or accessories not designated for use with this product by Emerson Electric Co. could result in personal injury or property damage.

Trouble Shooting

⚠ WARNING: For your own safety, turn off power at fuse box or circuit breaker before trouble shooting your fan.

TROUBLE	PROBABLE CAUSE	SUGGESTED REMEDY
1. Fan will not start.	1. Fuse or circuit breaker blown. 2. Loose power line connections to the fan, or loose switch wire connections in the switch housing. 3. Dead battery in remote control transmitter. 4. Remote control transmitter not programmed to match control receiver.	1. Check main and branch circuit fuses or circuit breakers. 2. Check line wire connections to fan and switch wire connections in the switch housing. ⚠ WARNING: Make sure main power is turned OFF. 3. Replace battery (red indicator light on transmitter should light when any button is pressed). 4. See Remote Programming Procedures, page 9.
2. Fan sounds noisy.	1. Blades not attached to fan. 2. Loose screws in motor housing. 3. Wire connectors inside switch housing rattling. 4. Screws holding blades to motor are loose.	1. Attach blades to fan before operating. 2. Check to make sure all screws in motor housing are snug (not over-tight). 3. Check to make sure wire connectors in switch housing are not rattling against each other or against the interior wall of the switch housing. ⚠ WARNING: Make sure main power is turned OFF. 4. Tighten screws securely.
3. Fan wobbles excessively.	1. Setscrew in motor coupling is loose. 2. Setscrew in hanger ball/downrod assembly is loose. 3. Screws securing fan blade flanges to motor are loose. 5. Hanger bracket and/or ceiling outlet box is not securely fastened. 6. Fan blades out of balance.	1. Tighten both setscrews securely in the motor coupling. 2. Tighten the setscrew in the hanger ball/downrod assembly. 3. Check to be sure screws which attach the fan blade flanges to the motor are tight. 5. Tighten the hanger bracket screws to the outlet box, and/or secure outlet box. 6. Interchanging an adjacent (side-by-side) blade pair can redistribute the weight and result in smoother operation.

Repair Parts



Repair Parts Listing

Key No.	Description	Model Number
		CF440VNB00
*	Hanger Ball Assembly, Consisting of:	761655-89
1	Hanger Bracket	—
2	Hanger Ball	—
3	Downrod (4.5")	—
*	Parts Bag Containing:	764236
4	Wire Connector (3)	—
5	Pin, Clevis (1)	—
6	Clip, Hairpin (1)	—
7	Threaded Stud, #8-32 x 1-1/4" (2)	—
8	Lockwasher, External Tooth #8 (2)	—
9	Knurled Knob, #8-32 (2)	—
10	Screw, Washer Head Blade, #10-24 x .50" (16)	—
11	Washer, Flat, #10 x .63 (16)	—
12	Screw, Pan Head, #8-32 x .31" (spare)	—
13	Screw, Captive with Lockwasher, 1/4-20 x .56" (spare)	—
14	Balancing Kit (1)	—
15	Cover, Ceiling (1)	764221-VNB
16	Ring, Light Kit Retention (1)	764226-VNB
17	Upper Glass (1)	764222-AMM
18	Upper Decorative Assembly (1)	764261-VNB
19	Motor Coupling Cover (1)	774100-VNB
20	Wiring Harness Assembly (1) (Not Shown)	764235
21	Light Kit Assembly (1)	764231-VNB
22	Lower Light Kit Glass (1)	764233-AMM
23	Finial Nut Hex Nut and Rubber Washer (set of 1)	764239-VNB
24	Blade Flanges (set of 5)	764227-VNB
25	Blades (set of 5)	76429-DM
26	Receiver, Remote Control (1)	RCFP
27	Transmitter, SR401 (1)	764090
—	Owner's Manual	BP7452

Before discarding packaging material, be certain all parts have been removed.

HOW TO ORDER REPAIR PARTS

WHEN ORDERING REPAIR PARTS, ALWAYS GIVE THE FOLLOWING INFORMATION:

- PART NUMBER • PART DESCRIPTION • NAME OF ITEM • MODEL NUMBER

For repair parts, phone 1-800-654-3545.

LIMITED WARRANTY

What The Warranty Covers:

This warranty covers the motor and the other components and accessories of your Emerson ceiling fan against all defects in workmanship and materials. You must be the original purchaser or user of the product to be covered.

What The Period Of Coverage Is:

As it applies to the motor, this warranty will last for the lifetime of your ceiling fan. All other components and accessories are covered by this warranty for one year from the date you purchased your ceiling fan. ANY IMPLIED WARRANTY OF MERCHANTABILITY OR FITNESS FOR A PARTICULAR PURPOSE, MADE WITH RESPECT TO COMPONENTS AND ACCESSORIES IS ALSO LIMITED TO ONE YEAR.

What Will Emerson Electric Co. Do To Correct Problems:

Emerson Electric Co. will replace a defective Emerson Air Comfort Ceiling Fan motor, blade, component or other accessory at no charge to you. If repair of the motor or blades is not practical or possible within a reasonable time and no replacement can be provided, Emerson will refund the actual purchase price of your fan. **WE WILL SHIP THE REPAIRED PRODUCT OR REPLACEMENT TO YOU AT NO CHARGE, BUT YOU ARE RESPONSIBLE FOR ALL COSTS OR REMOVAL, REINSTALLATION AND SHIPPING OF THE PRODUCT TO EMERSON ELECTRIC CO.**

How Can You Get Service:

YOU MUST HAVE PROOF OF YOUR PURCHASE OF THE CEILING FAN TO OBTAIN LIMITED WARRANTY SERVICE. KEEP YOUR RECEIPT OR OTHER PROOF OF PURCHASE. You can return the product to our factory or to your nearest authorized service center.

- To return the product to the factory, obtain a return authorization and service identification tag by writing to Air Comfort Products, Division of Emerson Electric Co., 8100 W. Florissant Ave., St. Louis, MO 63136. Include all model numbers shown on the product with your request.
- To return the product to an authorized service center, call 1-800-654-3545 for the address of the nearest authorized service center.

You will be responsible for all insurance, freight or other transportation charges to our factory or authorized service center. Your Emerson Air Comfort Ceiling Fan should be properly packed to avoid damage in transit since we will not be responsible for any such damage.

What Is Not Covered:

The glass globes and light bulbs of your ceiling fan are not covered by this warranty. This warranty also does not cover any defects, malfunctions or failures caused by:

- Repairs by persons not authorized by Emerson Electric Co.,
- Use of parts or accessories not authorized by Emerson Electric Co.,
- Mishandling, improper installation, modifications or damage to your ceiling fan while in your possession, or
- Unreasonable use, misuse, abuse, including failing to do reasonable and necessary maintenance, and normal wear and tear.

Additionally, this warranty and any implied warranty of merchantability or fitness for a particular purpose are voided when:

- The original purchaser or user ceases to own the product, or
- The fan is moved from its original point of installation.

This warranty is only valid within the 50 states of the United States and the District of Columbia. No other written or oral warranties apply, and no employee, agent, dealer or other person is authorized to give any warranties on behalf of Emerson Electric Co.

REPAIR, REPLACEMENT OR A REFUND ARE THE EXCLUSIVE REMEDIES AVAILABLE UNDER THIS WARRANTY AND EMERSON IS NOT RESPONSIBLE FOR DAMAGES OF ANY KIND, INCLUDING INCIDENTAL AND CONSEQUENTIAL DAMAGES. Incidental damages include but are not limited to such damages as loss of time and loss of use. Consequential damages include but are not limited to the cost of repairing or replacing other property which was damaged if this product does not work properly.

How State Law Relates To The Warranty:

Some states do not allow the exclusion or limitation of incidental or consequential damages so the above exclusion or limitation may not apply to you. This warranty gives you specific legal rights, and you may also have other rights which vary from state to state.



EMERSON

Air Comfort Products

DIVISION OF EMERSON ELECTRIC CO.
8100 W. Florissant • St. Louis, MO 63136