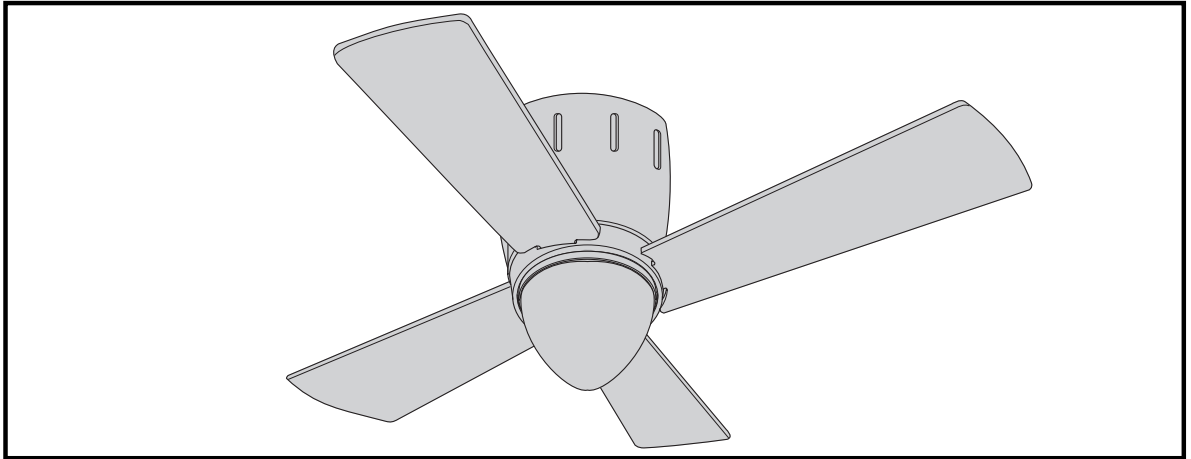


**READ AND SAVE THESE INSTRUCTIONS**



**EMERSON™**



**WYATT™**

**48" Ceiling Fan Owner's Manual**

Model Numbers

**CF530BS00 - Brushed Steel**

**CF530ORB00 - Oil Rubbed Bronze**

**CF530WW00 - Appliance White**

Net Weight: **16.2** Lbs.

Questions, problems, missing parts: Before returning to the store call  
Emerson Electric Customer Service  
8 a.m. - 6 p.m., Eastern, Monday-Friday

**1-800-654-3545**

**[www.emersonfans.com](http://www.emersonfans.com)**

# Table of Contents

Section	Page	Section	Page
Safety Instructions	2	7. Using Your Ceiling Fan	17
1. Unpacking Instructions	3-4	8. Maintenance	17
2. Electrical Requirements	4	9. Accessories	17
3. How to Hang Your Ceiling Fan	5-6	10. Repair Parts	18-19
4. How to Wire Your Ceiling Fan	7-9	11. Trouble Shooting	20
5. Ceiling Fan Assembly	10-13	12. Instruction to the User	21
6. How to Wire Your Wall Control	14-15	Ceiling Fan Limited Warranty	23

## READ AND SAVE THESE INSTRUCTIONS

### Safety Instructions

#### WARNING

TO REDUCE THE RISK OF FIRE, ELECTRICAL SHOCK, OR INJURY TO PERSONS, OBSERVE THE FOLLOWING:

- Use this unit only in a manner intended by the manufacturer. If you have questions, contact the manufacturer.
- Before servicing or cleaning unit, switch power off at service panel and lock service panel disconnecting means to prevent power from being switched on accidentally. When the service disconnecting means cannot be locked, securely fasten a warning device, such as a tag, to the service panel.

- Read your owner's manual carefully and keep it for future reference.
- Be careful with the fan and blades when cleaning, painting, or working near the fan. Always turn off the power to the ceiling fan before servicing.
- Do not put anything into the fan blades while they are turning.

#### Additional Safety Instructions for Installation

- To avoid possible shock, be sure electricity is turned off at the fuse box before wiring, and do not operate fan without blades.
- All wiring must be in accordance with the National Electrical Code "ANSI/NFPA 70-2014" and Local Electrical Codes. Use the National Electrical Code if Local Codes do not exist. The ceiling fan must be grounded as a precaution against possible electrical shock. Electrical installation should be made or approved by a licensed electrician.

- The outlet box and joist must be securely mounted and capable of reliably supporting at least 50 pounds. Use only U.L. outlet boxes listed as "Acceptable for Fan Support of 22.7 kg. (50 lbs.) or less", and use the mounting screws provided with the outlet box. Most outlet boxes commonly used for support of light fixtures are not acceptable for fan support and may need to be replaced. Consult a qualified electrician if in doubt.
- The fan must be mounted with the fan blades at least 7 feet from the floor to prevent accidental contact with the fan blades.
- Follow the recommended instructions for the proper method of wiring your ceiling fan. If you do not know enough about electrical wiring, have your fan installed by a licensed electrician.

**WARNING:** To reduce the risk of electrical shock, this fan must be installed with an isolating wall control/switch.

**NOTE:** This fan is suitable for use with solid-state speed controls.

**WARNING:** This product is designed to use only those parts supplied with this product and/or any accessories designated specifically for use this product by Emerson Electric Co. Substitution of parts or accessories not designated for use with this product by Emerson could result in personal injury or property damage.

**WARNING:** To reduce the risk of personal injury, do not bend the blade flange when installing the blade flanges, balancing the blades or cleaning the fan. Do not insert foreign objects in between rotating fan blades.

**WARNING:** To avoid fire, shock or injury, do not use an Emerson or any other brand of control not specifically approved for this fan.

#### DATE CODE: \_\_\_\_\_

The date code of this fan may be found on the box, stamped in ink on a white label. You should record this data above and keep it in a safe place for future use.

# 1. Unpacking Instructions

## ⚠ WARNING

Do not install or use fan if any part is damaged or missing. Call Toll-Free for replacement parts:

**1-800-654-3545**

## ⚠ WARNING

This product is designed to use only those parts supplied with this product and/or any accessories designated specifically for use with this product by Emerson Electric Co. Substitution of parts or accessories not designated for use with this product by Emerson Electric Co. could result in personal injury or property damage.

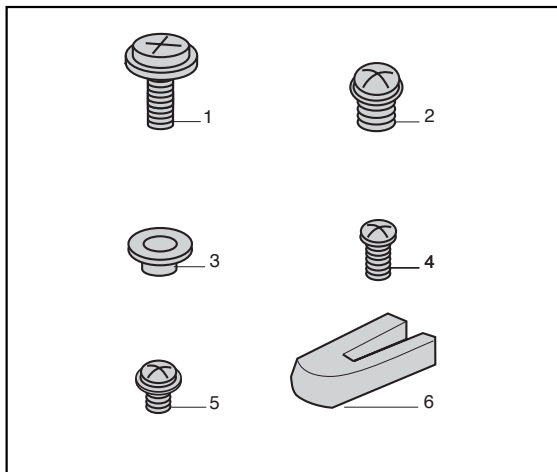
### 1.1

Check to see that you have received the following parts:

**NOTE: If you are uncertain of part description, refer to exploded view illustration below.**

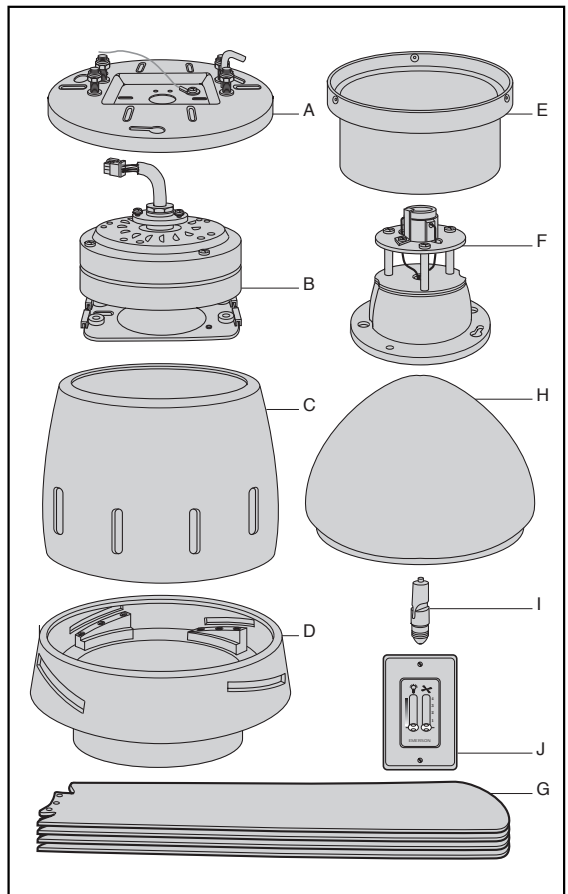
### HARDWARE BAG CONTENTS

Part	Description	Quantity
1	#8-32 x 11mm Truss Head Blade Screws	13
2	1/4-20 x 1/4" Round Head Screws with Lockwashers	6
3	Steel Bushings	4
4	M4 x 6mm Pan Head Screw	1
5	#6-32 x 1/4" Truss Head Screw w/Lockwasher	1
6	Blade Balance Kit	1



### PACKAGE CONTENTS

Part	Description	Quantity
A	Ceiling Mounting Plate	1
B	Fan Motor	1
C	Fan Motor Housing	1
D	Flywheel	1
E	Light Kit Adapter	1
F	Light Kit Assembly	1
G	Fan Blades	4
H	Glass Shade	1
I	50W Mini Candelabra Base Halogen Bulb	1
J	SW90 Wall Control	1



**NOTE: Place the parts from the loose parts bags in a small container to keep them from being lost. If any parts are missing, call 1-800-654-3545 for replacement parts before proceeding.**

# 1. Unpacking Instructions (continued)

This Manual Is Designed to Make it as Easy as Possible for You to Assemble, Install, Operate and Maintain Your Ceiling Fan

## Tools Needed for Assembly

One Phillips head screwdriver	One stepladder
One 1/4" blade screwdriver	One wire stripper
One 3/8" open end wrench	

## Installed Wire Length

Up to 50 ft.  
50-100 ft.

## Wire Size A.W.G.

14  
12

## Materials

Wiring outlet box and box connectors must be of type required by the local code. The minimum wire would be a 3-conductor (2-wire with ground) of following size:

### WARNING

Before assembling your ceiling fan, refer to section on proper method of wiring your fan (page 7). If you feel you do not have enough wiring knowledge or experience, have your fan installed by a licensed electrician.

# 2. Electrical Requirements

Your new ceiling fan will require a grounded electrical supply line of 120 volts AC, 60 Hz, 15 amp circuit.

### WARNING

To reduce the risk of fire, electric shock, or personal injury, mount fan to outlet box marked "Acceptable for Fan Support of 22.7 kg. (50 lbs.) or less", and use screws supplied with outlet box. Most outlet boxes commonly used for support of light fixtures are not acceptable for fan support and may need to be replaced. Consult a qualified electrician if in doubt.

### WARNING

Turning off wall switch is not sufficient. To avoid possible electrical shock, be sure electricity is turned off at the main fuse box before wiring. All wiring must be in accordance with National and Local codes and the ceiling fan must be properly grounded as a precaution against possible electrical shock.

The outlet box must be securely anchored and capable of withstanding a load of at least 50 pounds.

If your fan is to replace an existing ceiling light fixture, turn electricity off at the main fuse box at this time and remove the existing light fixture.

### WARNING

To avoid fire or shock, follow all wiring instructions carefully.

Any electrical work not described in these instructions should be done or approved by a licensed electrician.

Please call Emerson technical support at 1-800-654-3545 if you have any questions about installation and operation of this ceiling fan.

# 3. How to Hang Your Ceiling Fan

## ⚠ WARNING

The fan must be hung with at least 7' of clearance from floor to blades (Figure 1).

## ⚠ WARNING

The outlet box and joist must be securely mounted and capable of supporting at least 50 lbs. Use only a U.L. outlet box listed as "Acceptable for Fan Support of 22.7 kg. (50 lbs.) or less".

## ⚠ WARNING

To reduce the risk of fire, electric shock, or personal injury, mount fan to outlet box marked "Acceptable for Fan Support of 22.7 kg. (50 lbs.) or less", and use screws supplied with outlet box. Most outlet boxes commonly used for support of light fixtures are not acceptable for fan support and may need to be replaced. Consult a qualified electrician if in doubt.

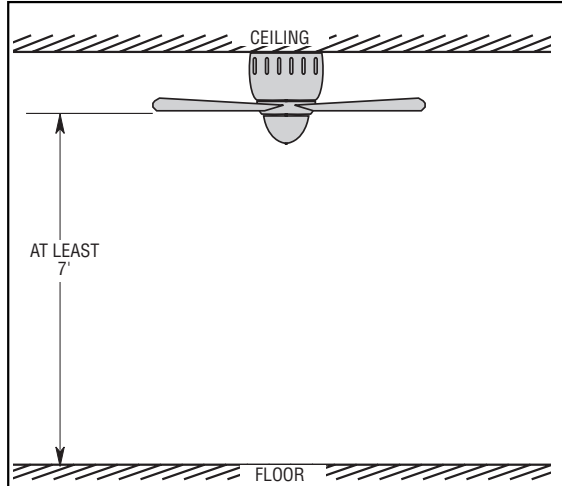


Figure 1

### 3.1

Disconnect electrical power to the branch circuit at the circuit breaker or fuse box before attempting to install the ceiling fan mounting plate on the outlet box.

## ⚠ WARNING

Turning off wall switch is not sufficient. To avoid possible electrical shock, be sure electricity is turned off at the main fuse box before wiring. All wiring must be in accordance with National and Local codes and the ceiling fan must be properly grounded as a precaution against possible electrical shock.

### 3.2

Pull the electrical supply black, blue, white and ground wires through the center opening of the ceiling mounting plate before securing the plate to the outlet box (Figure 2).

Position the ceiling mounting plate onto the outlet box and secure using the two outlet box screws, supplied with outlet box (Figure 2).

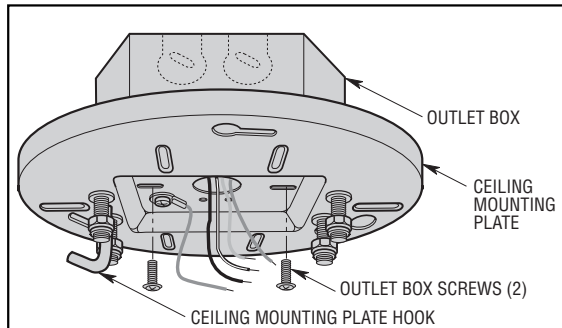
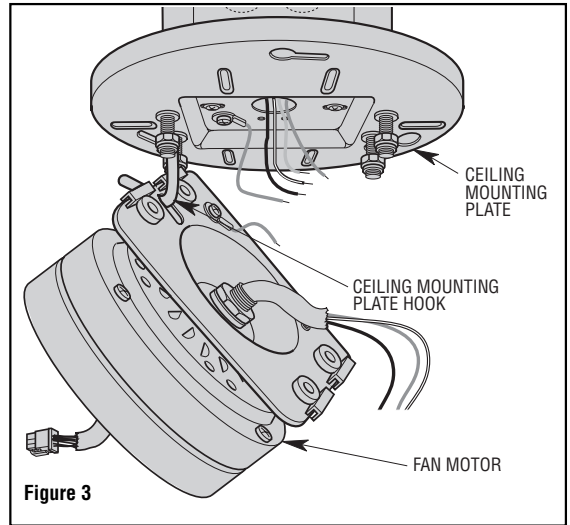


Figure 2

## 3. How to Hang Your Ceiling Fan (continued)

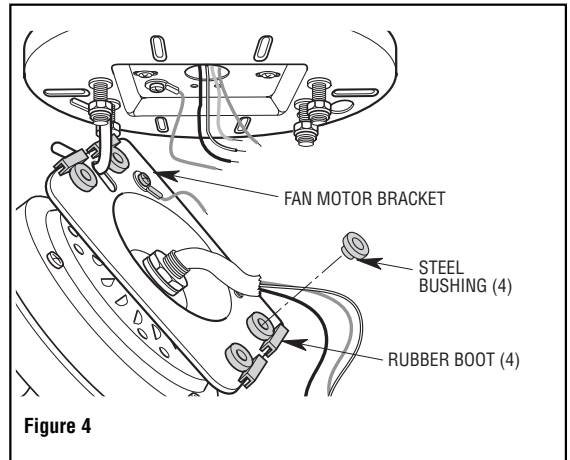
### 3.3

Place the fan motor onto the ceiling mounting plate hook during wiring fan motor assembly to outlet box (Figure 3).



### 3.4

Insert each steel bushing (4 supplied in parts bag) into the four rubber boots until they are flush with the top surface of each rubber boot (Figure 4).



## 4. How to Wire Your Ceiling Fan

### 4.1

If you feel that you do not have enough electrical wiring knowledge or experience, have your fan installed by a licensed electrician.

#### **⚠ WARNING**

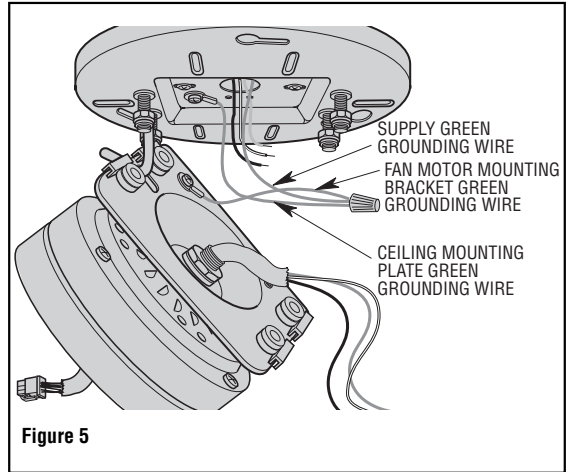
Turning off wall switch is not sufficient. To avoid possible electrical shock, be sure electricity is turned off at the main fuse box before wiring. All wiring must be in accordance with National and Local codes and the ceiling fan must be properly grounded as a precaution against possible electrical shock.

**CAUTION:** To reduce the risk of electrical shock, disconnect the electrical supply circuit before installing the fan, light kit or wall control.

**NOTE:** Make all wiring connections using wire connectors (supplied). Make sure that all connections are tight, including ground, and that no bare wire is visible at the wire connectors, except for the ground wire.

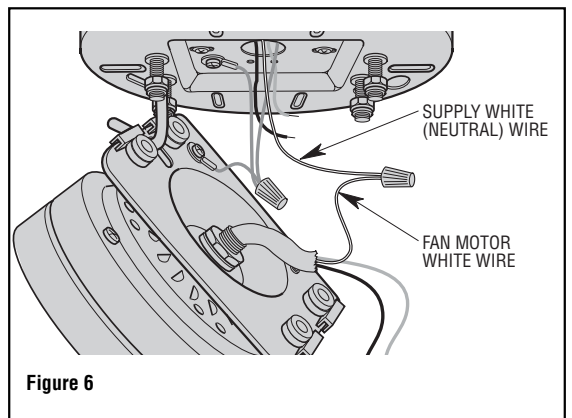
### 4.2

Securely connect the green grounding wire from the fan motor mounting bracket, the green grounding wire from the ceiling mounting plate and the green grounding wire from the supply conductor (this may be a bare wire or a wire with green insulation) (Figure 5).



### 4.3

Securely connect the supply white (neutral) wire to the fan white wire (Figure 6).



# 4. How to Wire Your Ceiling Fan (continued)

## 4.4

Securely connect the supply black wire to the fan black wire (Figure 7).

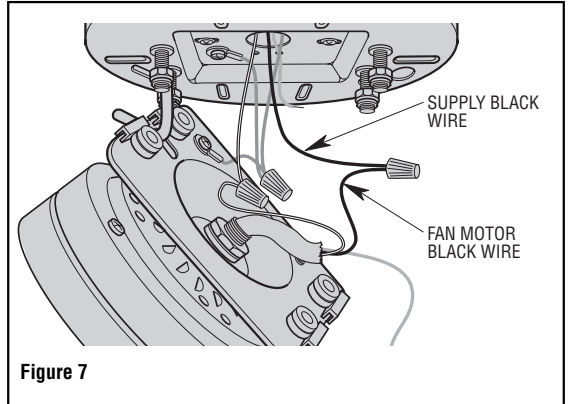


Figure 7

## 4.5

Securely connect the supply red wire to the fan blue wire (Figure 8).

**NOTE:** This fan requires a three conductor wire installation to operate both the fan and light with the included control. The red supply wire indicated is typical in a three conductor cable with ground.

### WARNING

Check to see that all connections are tight, including ground, and that no bare wire is visible at the wire connectors (Figure 9). Do not operate fan until blades are in place. Noise and fan damage could result.

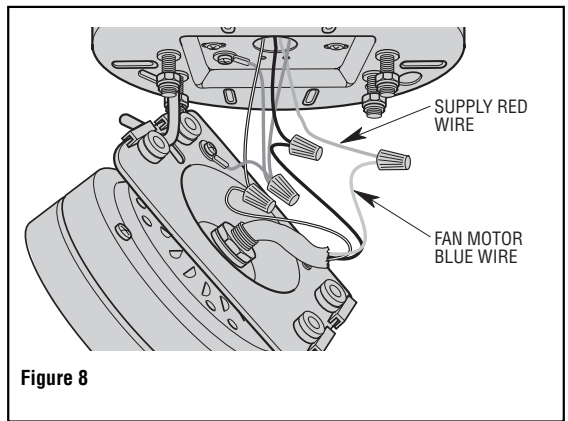


Figure 8

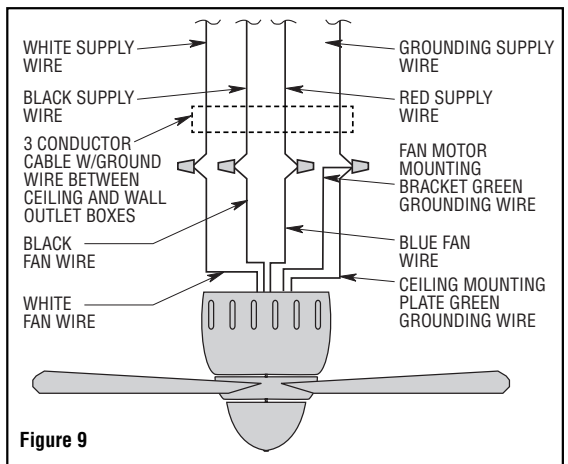


Figure 9



## 4. How to Wire Your Ceiling Fan (continued)

### 4.6

After connections have been made, turn leads upward and carefully push leads into the outlet box, with the white and green leads on one side of the outlet box and the black and blue leads on the other inside of the outlet box (Figure 10).

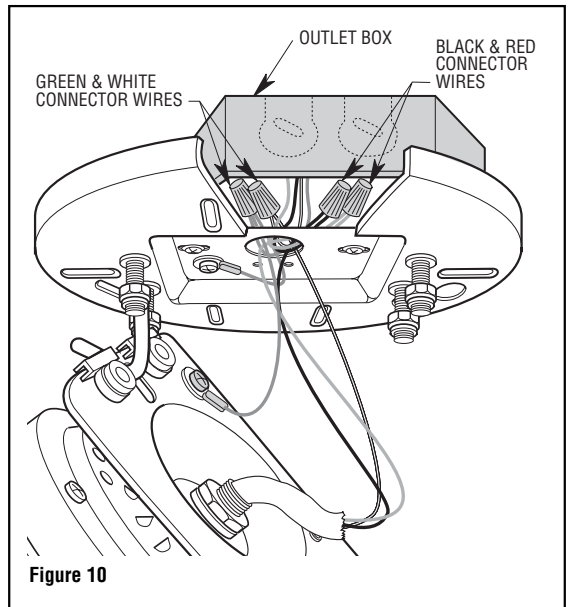


Figure 10

# 5. Ceiling Fan Assembly

## 5.1

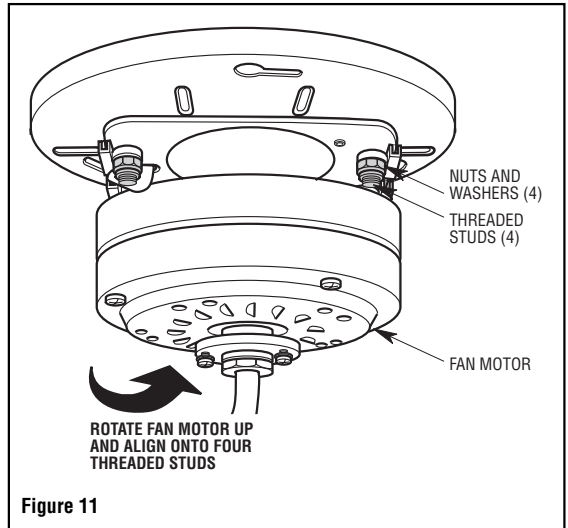
Remove the four nuts and flat washers from the ceiling mounting plate screws (retain for future use).

Rotate the fan motor up and position the motor onto the four ceiling mounting plate threaded studs.

Reinstall the four nuts and flat washers (previously removed) and tighten securely using a 3/8" wrench (Figure 11).

### **⚠ WARNING**

To avoid possible fire or shock, make sure that the electrical wires are completely inside the outlet box and not pinched between the ceiling mounting plate and the fan motor.

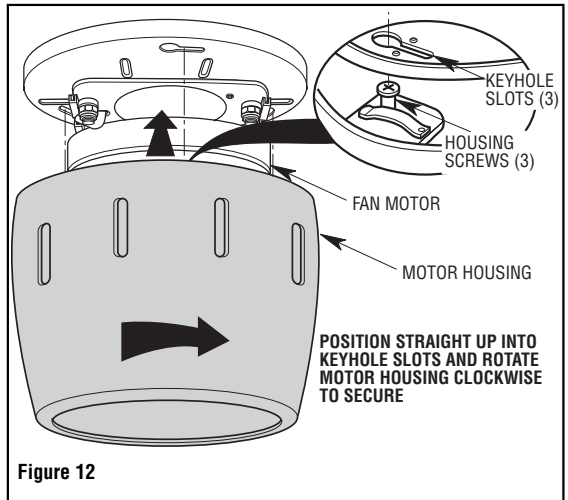


## 5.2

Carefully slide the motor housing over the fan motor.

Position the motor housing protruding screw heads into the three keyhole slots of the ceiling mounting plate (Figure 12).

Rotate the motor housing clockwise to engage the screw heads into the ceiling mounting plate to secure the motor housing (Figure 12).



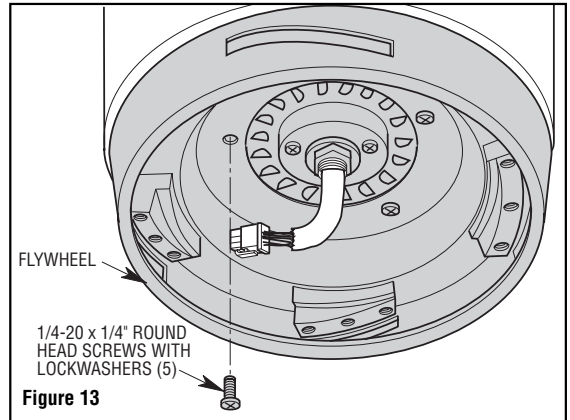
## 5. Ceiling Fan Assembly (continued)

### 5.3

Place the flywheel onto the fan motor.

Align the five screw holes of the flywheel on the fan motor.

Secure the flywheel to the fan motor using the five 1/4-20 x 1/4" round head screws with lockwashers (provided) (Figure 13).



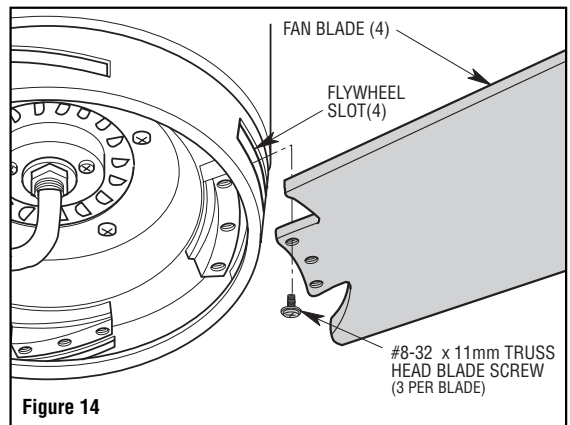
### 5.4

Carefully place the fan blade ("THIS SIDE UP" label should face the mating surface of the flywheel) into the slot of the flywheel (Figure 14).

Securely install the three #8-32 x 11mm truss head blade screws per blade to fan motor (Figure 14).

Complete the remaining three blades installation per the above instructions.

**NOTE: Take care not to scratch flywheel when installing blades**



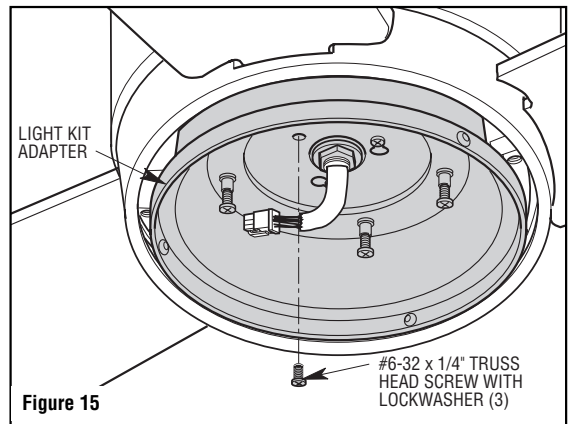
### 5.5

Remove one #6-32 x 1/4" truss head screw with lockwasher (retain for future use). Loosen the two other #6-32 x 1/4" truss head screws with lockwashers for installation of light kit housing adapter (Figure 15).

Slide the fan motor wiring and connector through the center hole of the light kit housing adapter.

Position the light kit housing adapter onto the fan motor. Rotate the light kit housing adapter to engage the two keyhole slots.

Reinstall the previously removed #6-32 x 1/4" truss head screw with lockwasher into the remaining hole of the light kit housing adapter. Tighten the three screws and lockwashers to secure the light kit housing adapter to the fan motor (Figure 15).



## 5. Ceiling Fan Assembly (continued)

### 5.6

The two connectors are keyed and color-coded and must be mated correctly (color-to-color) before they can be engaged.

Engage the wire connector of the light kit fixture with the fan motor wire connector. Make sure each connector latches properly (Figure 16).

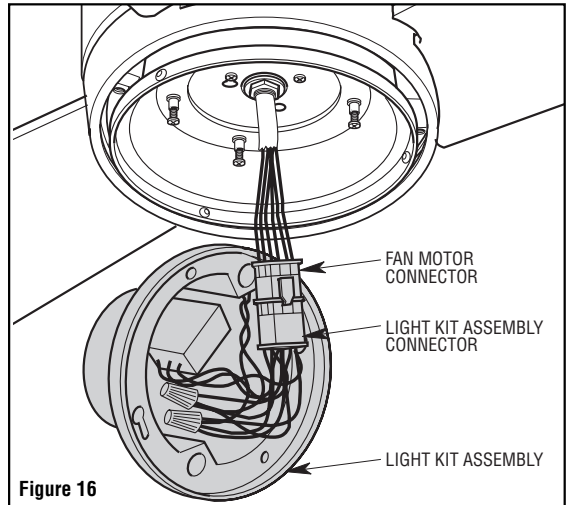


Figure 16

### 5.7

Remove two M4 x 6mm pan head screws (opposite of each other) from the light kit housing adapter in preparation of installing the light kit fixture (Figure 17).

Loosen the remaining two M4 x 6mm pan head screws from the light kit housing. (Figure 17).

Carefully tuck all wires and connectors into the light kit fixture.

Place the light kit fixture onto the light kit housing screws.

Reinstall the previously removed M4 x 6mm pan head screws into the remaining holes of the light kit fixture. Tighten the four M4 x 6mm pan head screws to secure the light kit fixture to the light kit housing adapter (Figure 17).

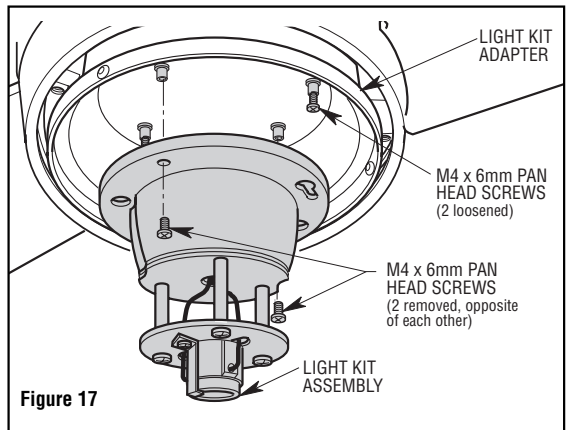


Figure 17

## 5. Ceiling Fan Assembly (continued)

### 5.8

Screw the 50-watt (maximum) halogen mini candelabra base bulb in the light kit fixture socket (Figure 18).

**NOTE: Do not touch halogen mini candelabra base bulb with bare hands. Fingerprints may result in shorter bulb life. Remove fingerprints with rubbing alcohol.**

#### **WARNING**

To avoid risk of burns or other injuries, turn power off and allow lamp to fully cool before attempting to replace the halogen mini candelabra base bulb.

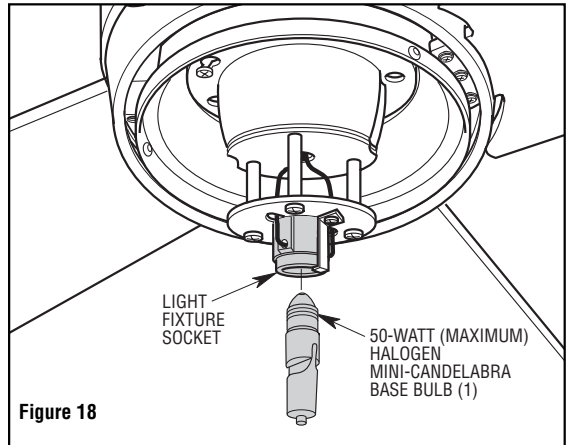


Figure 18

### 5.9

Place the glass shade into the opening in the light kit assembly, aligning the three flat areas on the top edge of the glass with the three raised dimples on the light kit assembly and turn the glass shade clockwise until it stops (Figure 19).

**NOTE: Periodically check that the glass shade is seated fully clockwise in the light kit assembly.**

Please call Emerson technical support at 1-800-654-3545 if you have any questions about installation and operation of this ceiling fan.

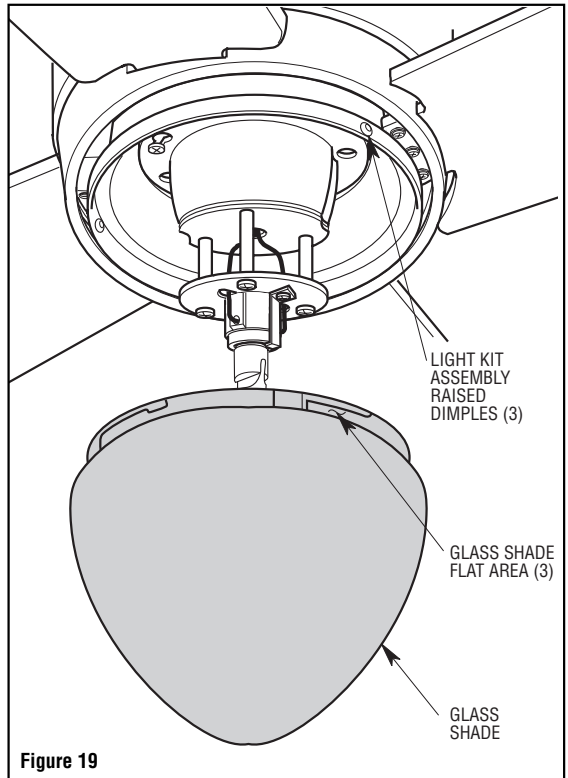


Figure 19

# 6. How to Wire Your Wall Control

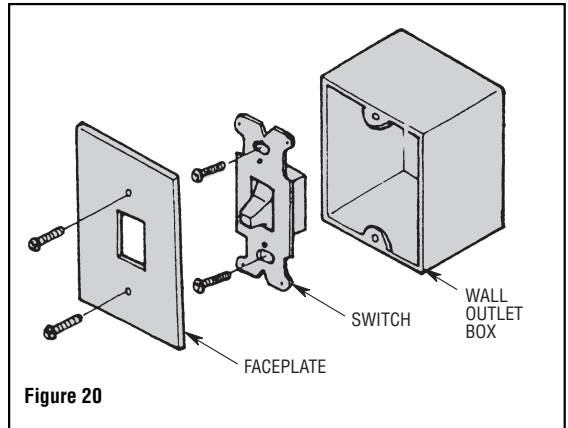
## 6.1

**NOTE:** Installation of this control requires that a three-conductor cable with ground wire be run between the control wall box and the ceiling fan outlet.

After electricity has been turned off at the main fuse box or circuit breaker panel, remove the existing wall plate and switch (Figure 20).

### **⚠ WARNING**

To avoid risk of burns or other injuries, turn power off and allow lamp to fully cool before attempting to replace the halogen mini candelabra base bulb.

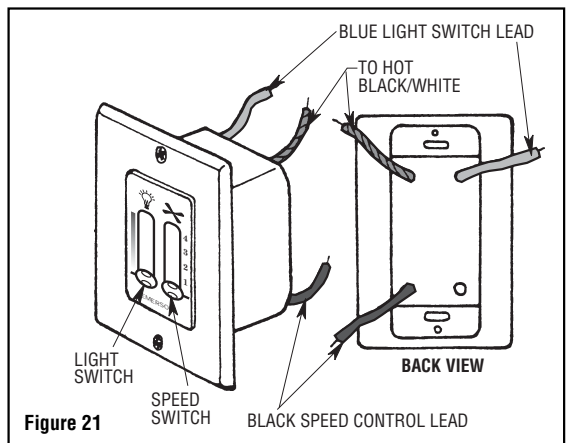


## 6.2

Set all knobs on the fan/light control in the off (down) position (Figure 21).

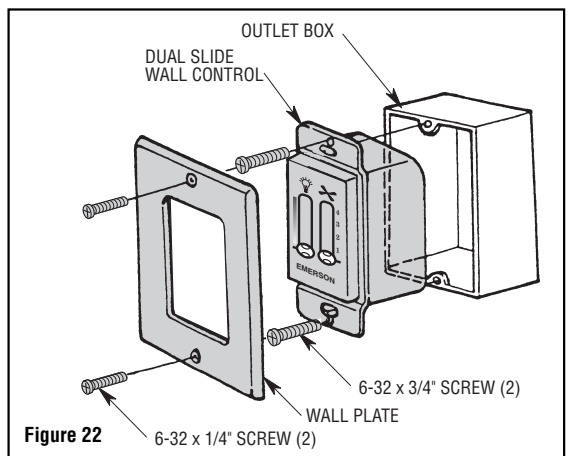
Make the following wire connections (Figure 21) and secure with wire connectors supplied:

- Black wire from fan to black wire from fan/light control.
- White wire from fan to white wire from the 120V AC supply source.
- Blue wire from fan to blue wire from fan/light control.
- Black/white wire from fan/light control to black wire from the 120V AC supply source.



## 6.3

Attach the fan/light control to the outlet (wall) box using two 6-32 x 3/4" screws supplied (Figure 22). Install the wall plate using two 6-32 x 1/4" screws supplied.



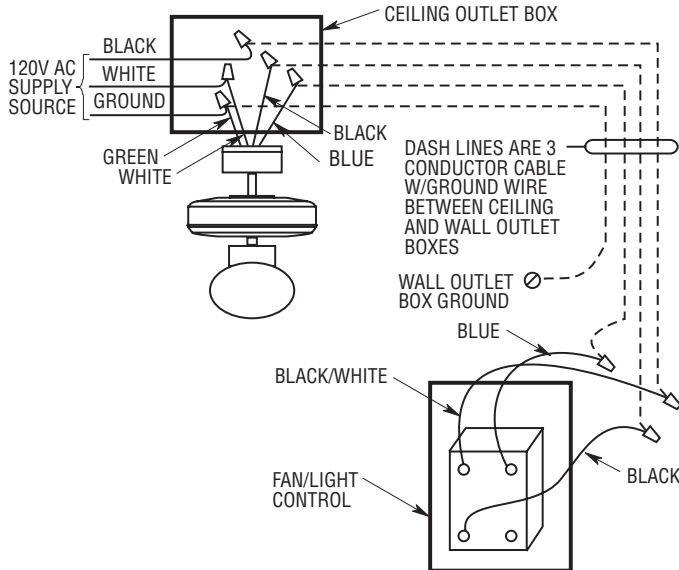
## 6. How to Wire Your Wall Control (continued)

**NOTE:** Refer to Schematic “A” or “B”, depending upon the location of your 120V AC supply source (Figure 23).

**NOTE:** This wiring configuration will control accent/light and accessory downlight together. For other possible wiring/switch combinations to control accent light and downlight, consult a licensed electrician or see other Emerson accessory control.

### Schematic “A”

**CONNECTIONS REQUIRED WHEN SUPPLY VOLTAGE IS FED INTO CEILING OUTLET BOX.**



### Schematic “B”

**CONNECTIONS REQUIRED WHEN SUPPLY VOLTAGE IS FED INTO WALL OUTLET BOX.**

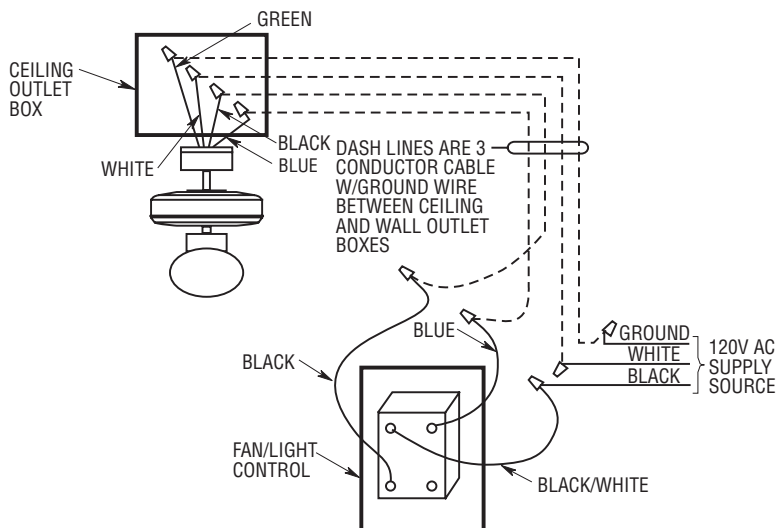


Figure 23

# 7. Using Your Ceiling Fan

## 7.1

### IMPORTANT

Fan installation must be completed, including the installation of the fan blades, before testing of the controls.

Restore electrical power to the outlet box by turning the electricity on at the main fuse box.

Check the operation of the fan by sliding the bar of the control through the four positions marked 1 - 4 ("0" position is OFF) (Figure 24).

Check the intensity of the light by sliding the bar of the control through the four positions marked 1 - 4 ("0" position is OFF) (Figure 24).

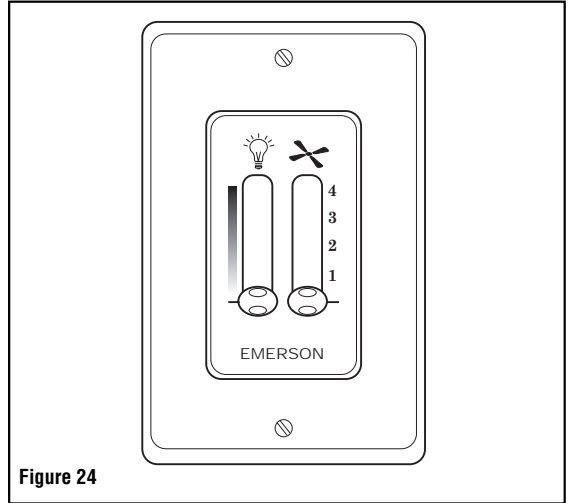


Figure 24

## 7.2

**NOTE: Remove the glass shade from the light kit assembly, to expose the reverse switch.**

All fans are shipped from the factory with the reversing switch positioned to circulate air downward. If airflow is desired in opposite direction, turn your fan OFF and wait for the blades to stop turning, then slide the reversing switch to the opposite position, and turn fan on again (Figure 25).

The fan blades will turn in the opposite direction and reverse the airflow.

### Reverse Switch Information

Season	Rotation Direction	Switch Position
Summer	Counter-Clockwise	Down
Winter	Clockwise	Up

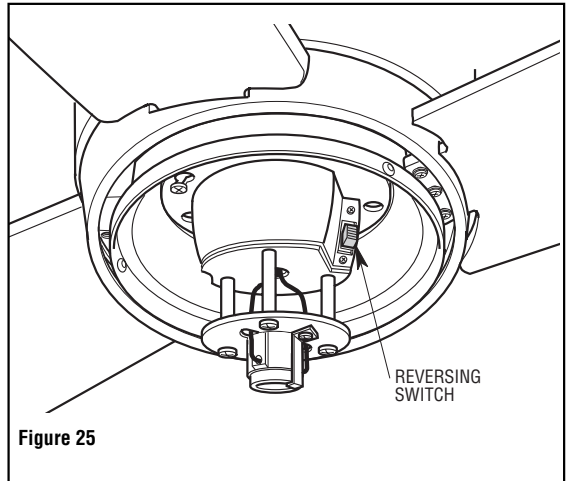


Figure 25



## 8. Maintenance

### IMPORTANT CARE INSTRUCTIONS for your Ceiling Fan

Periodic cleaning of your new ceiling fan is the only maintenance that is needed.

When cleaning, use only a soft brush or lint free cloth to avoid scratching the finish.

Abrasive cleaning agents are not required and should be avoided to prevent damage to finish.

### **WARNING**

Do not use water when cleaning your ceiling fan. It could damage the motor or the blades and create the possibility of an electrical shock.

## 9. Accessories

1. Ceiling Fan/Light Controls (see store or catalog).

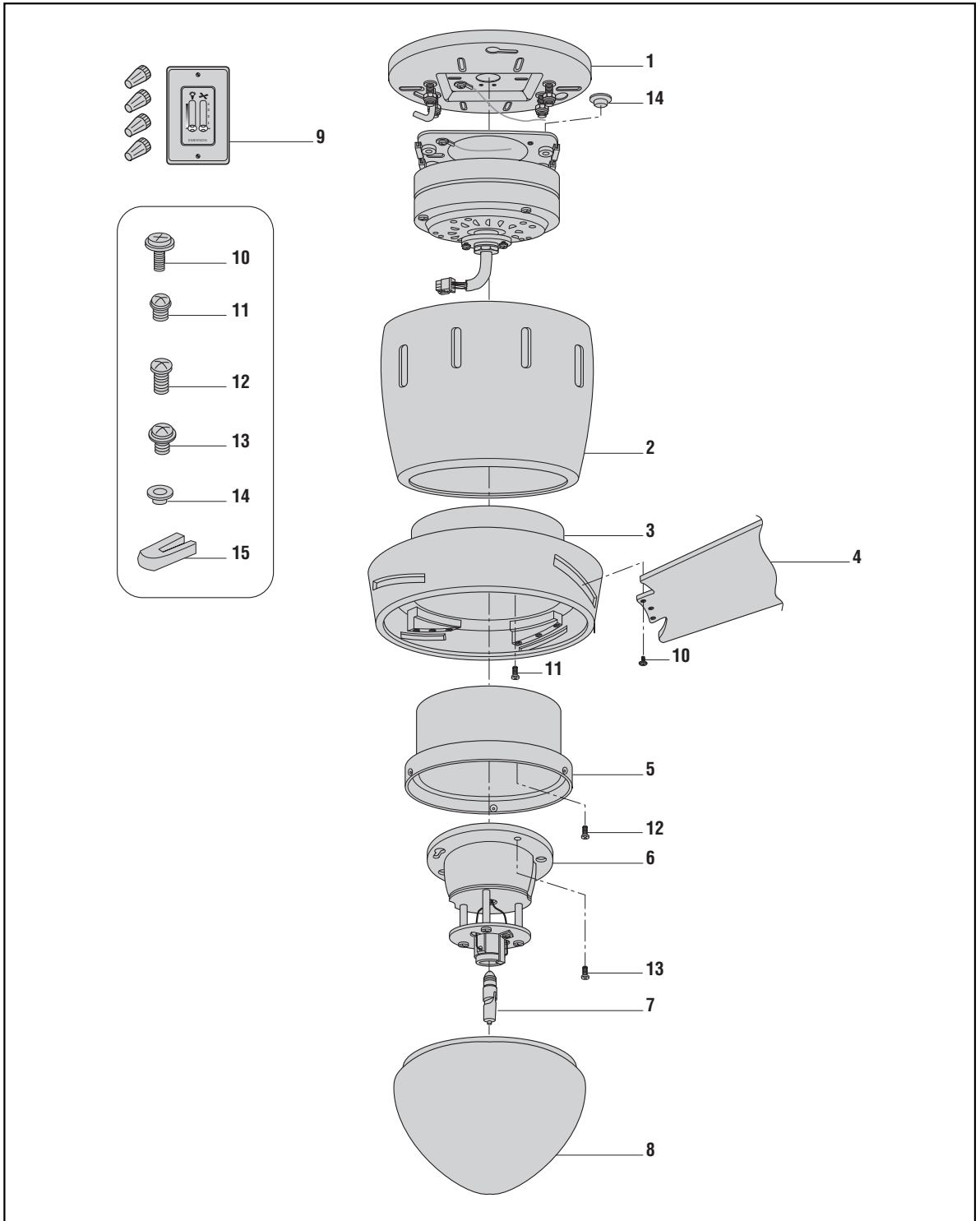
### **WARNING**

The use of any other control not specifically approved for this fan could result in fire, shock and personal injury.

### **WARNING**

This product is designed to use only those parts supplied with this product and/or any accessories designated specifically for use with this product by Emerson Electric Co. Substitution of parts or accessories not designated for use with this product by Emerson Electric Co. could result in personal injury or property damage.

# 10. Repair Parts



# 10. Repair Parts Listing

Key No.	Description	Model Numbers		
		CF530BS00	CF530ORB00	CF530WW00
1	Ceiling Mounting Plate (1)	764539	764539	764539
2	Fan Motor Housing (1)	764541-BS	764541-ORB	764541-WW
3	Flywheel (1)	764545-BS	764545-ORB	764545-WW
4	Fan Blades (set of 4)	764548-BS	764548-ORB	764548-WW
5	Light Kit Adapter (1)	764540	764540	764540
6	Light Kit Assembly (1)	764550	764550	764550
7	50W Mini-Candelabra Base Halogen Bulb (1)	—	—	—
8	Glass Shade (1)	764554-OM	764554-OM	764554-OM
9	Wall Control (1)	SW90W	SW90W	SW90W
*	Parts Bag Containing:	764556	764556-1	764556
10	Screw, Truss Head Blade, #8 - 32 x 11mm (13)	—	—	—
11	Screw, Round Head, 1/4-20 x 1/4" with Lockwasher (6)	—	—	—
12	Screw, Pan Head, #6-32 x 1/4" with Lockwasher (1)	—	—	—
13	Screw, Pan Head, M4 x 6mm (1)	—	—	—
14	Steel Bushing (4)	—	—	—
15	Balancing Kit (1)	—	—	—
—	Owner's Manual	BP7484	BP7484	BP7484

**Before discarding packaging material, be certain all parts have been removed.**

## HOW TO ORDER REPAIR PARTS

WHEN ORDERING REPAIR PARTS, ALWAYS GIVE THE FOLLOWING INFORMATION:

- PART NUMBER
- NAME OF ITEM
- PART DESCRIPTION
- MODEL NUMBER

The model number of your Fan will be found on a label attached to the top housing.

For repair parts, phone 1-800-654-3545.

# 11. Trouble Shooting

**⚠ WARNING: FOR YOUR OWN SAFETY TURN OFF POWER AT FUSE BOX OR CIRCUIT BREAKER BEFORE TROUBLE SHOOTING YOUR FAN.**

TROUBLE	PROBABLE CAUSE	SUGGESTED REMEDY
1. Fan will not start.	<ol style="list-style-type: none"> <li>1. Fuse or circuit breaker blown.</li> <li>2. Loose electrical connections to the fan.</li> </ol>	<ol style="list-style-type: none"> <li>1. Check main and branch circuit fuses or circuit breakers.</li> <li>2. Check all wire connections on the fan.</li> </ol> <p><b>⚠ WARNING: Make sure main power is turned OFF.</b></p>
2. Fan sounds noisy.	<ol style="list-style-type: none"> <li>1. Blades are not tightly fastened to the fan.</li> <li>2. Loose screws in fan motor.</li> <li>3. Light fixture connectors are rattling inside the light kit housing adapter.</li> </ol>	<ol style="list-style-type: none"> <li>1. Check all blade screws for tightness.</li> <li>2. Check to make sure all screws in fan motor are snug (not over-tight).</li> <li>3. Reposition the connectors and carefully reassemble the cover</li> </ol> <p><b>⚠ WARNING: Make sure main power is turned OFF.</b></p>
3. Fan wobbles excessively.	<ol style="list-style-type: none"> <li>1. Blades are not tightly fastened to the fan.</li> <li>2. Fan blades out of balance.</li> </ol>	<ol style="list-style-type: none"> <li>1. Check all blade screws for tightness.</li> </ol> <p><b>⚠ WARNING: Make sure main power is turned OFF.</b></p> <ol style="list-style-type: none"> <li>2. Interchange an adjacent (side-by-side) blade pair to redistribute the weight. Locate the supplied blade balancing kit and follow the included instructions.</li> </ol>
4. Lamp will not illuminate.	<ol style="list-style-type: none"> <li>1. Loose electrical connectors.</li> <li>2. The lamp is burnt out.</li> <li>3. Lamp turns on and then turns off.</li> </ol>	<ol style="list-style-type: none"> <li>1. Shut off the branch circuit electricity at the fuse box or breaker panel and check the receiver electrical connectors for proper installation.</li> <li>2. Turn the electricity off and replace the lamp with a new 50W maximum lamp.</li> <li>3. The build in circuit breaker is tripping. Check that the lamp is 50W maximum.</li> </ol> <p><b>CAUTION: Turn the lights off before touching halogen lamps, they are very hot and can burn your fingers.</b></p>

## 12. Instruction to the User (if device contains a digital device)

This equipment has been tested and found to comply with the limits for a class B digital device, pursuant to part 15 of the FCC Rules. These limits are designed to provide reasonable protection against harmful interference in a residential installation. This equipment generates, uses and can radiate radio frequency energy and if not installed and used in accordance with the instructions, may cause harmful interference to radio communications. However, there is no guarantee that interference will not occur in a particular installation. If this equipment does cause harmful interference to radio or television reception, which can be determined by turning the equipment off and on, the user is encouraged to try to correct the interference by one or more of the following measures:

- Reorient or relocate the receiving antenna.
- Increase the separation between the equipment and receiver.
- Connect the equipment into an outlet on a circuit different from that to which the receiver is connected.
- Consult the dealer or an experienced radio/TV technician for help.

This equipment has been certified to comply with the limits for a class B computing device, pursuant to FCC Rules. In order to maintain compliance with FCC regulations, shielded cables must be used with this equipment. Operation with non-approved equipment or unshielded cables is likely to result in interference to radio and TV reception. The user is cautioned that changes and modifications made to the equipment without the approval of manufacturer could void the user's authority to operate this equipment.

This Class B digital apparatus meets all requirements of the Canadian Interference-Causing Equipment Regulations.

# Notes

# Emerson Air Comfort Ceiling Fan Limited Warranty

## **What The Limited Warranty Covers:**

This limited warranty is offered by Air Comfort Products division of Emerson Electric Co. ("Emerson" "we" or "us") located at the address stated below to the original retail purchaser ("you" or "your") of an Emerson Air Comfort Ceiling Fan product ("Emerson Ceiling Fan") and covers the motor and the other components and accessories of the Emerson Ceiling Fan against all defects in workmanship and materials.

## **What The Period Of Coverage Is:**

This limited warranty will cover the Emerson Ceiling Fan motor for the expected lifetime of your Emerson Ceiling Fan (when operated in accordance with your Owner's Manual or other instructions provided by Emerson to you with the Emerson Ceiling Fan). All other components and accessories of the Emerson Ceiling Fan are covered by this limited warranty for a period of one (1) year from its date of original retail purchase. ANY IMPLIED WARRANTY, INCLUDING WITHOUT LIMITATION, ANY IMPLIED WARRANTY OF MERCHANTABILITY OR FITNESS FOR A PARTICULAR PURPOSE THAT IS AVAILABLE TO YOU UNDER THE LAWS OF YOUR STATE OR PROVINCE SHALL COVER THE MOTOR FOR THE EXPECTED LIFETIME OF THE MOTOR (SUBJECT TO PROPER USE), AND FOR ONE YEAR WITH RESPECT TO COMPONENTS AND ACCESSORIES.

## **No Other Express or Implied Warranty Applies:**

THE LIMITED WARRANTIES PROVIDED ABOVE ARE THE SOLE AND EXCLUSIVE WARRANTIES PROVIDED BY EMERSON TO YOU FOR YOUR EMERSON CEILING FAN, AND ARE IN LIEU OF ALL OTHER WARRANTIES, WRITTEN OR ORAL, EXPRESS OR IMPLIED, WHETHER ARISING BY OPERATION OF LAW OR OTHERWISE, WHETHER OR NOT THE PURPOSE HAS BEEN DISCLOSED AND WHETHER OR NOT THE EMERSON CEILING FAN HAS BEEN SPECIFICALLY DESIGNED OR MANUFACTURED FOR YOUR USE OR PURPOSE. EMERSON HEREBY DISCLAIMS ANY AND ALL IMPLIED WARRANTIES, INCLUDING WITHOUT LIMITATION, IMPLIED WARRANTIES OF MERCHANTABILITY OR FITNESS FOR A PARTICULAR PURPOSE FOR COMPONENTS AND ACCESSORIES AS OF THE EXPIRATION OF THE ONE YEAR WARRANTY PERIOD FOR SUCH COMPONENTS AND ACCESSORIES. IMPLIED WARRANTIES OF MERCHANTABILITY OR FITNESS FOR A PARTICULAR PURPOSE FOR THE MOTOR PORTION OF THE EMERSON CEILING FAN ARE LIKEWISE DISCLAIMED BY EMERSON AT SUCH TIME THAT THE EXPECTED LIFETIME OF THE EMERSON CEILING FAN UNDER NORMAL USAGE HAS BEEN REACHED. EXCLUSIONS OR LIMITATIONS OF IMPLIED WARRANTIES MAY VARY FROM STATE TO STATE AND PROVINCE TO PROVINCE SO THE ABOVE LIMITATIONS MAY NOT APPLY TO YOU.

## **What We Will Do To Correct Problems:**

If during the one (1) year warranty period the motor or any component or accessory of your Emerson Ceiling Fan is defective in materials or workmanship, or if during the expected lifetime of the Emerson Ceiling Fan (when used in accordance with the User Manual or other instructions) the motor is defective in materials or workmanship, you must contact Emerson during the applicable warranty period. If the defect is covered by warranty, Emerson will repair or replace the defective motor, component or other accessory at no charge to you. If repair of the motor, component or accessory is not practical or possible within a reasonable time and no replacement Emerson Ceiling Fan can be provided, Emerson will refund to you the actual purchase price of your Emerson Ceiling Fan. We will ship the repaired or the replacement Emerson Ceiling Fan to you at no charge, but you are responsible for all costs of removal and reinstallation of your Emerson Ceiling Fan.

## **How You Can Receive Warranty Service:**

You must be the original retail purchaser and have proof of your purchase of the Emerson Ceiling Fan to obtain your remedy under this limited warranty. You can return your Emerson Ceiling Fan to your place of purchase, or you can call Emerson Customer Service at 1-800-237-6511 to obtain a return authorization and service identification tag. In order for us to confirm that your Emerson Ceiling Fan is still under warranty, please retain your receipt or other proof of purchase and have that information readily available when returning your Emerson Ceiling Fan to your place of purchase, or upon calling Emerson Customer Service. If you call Emerson Customer Service, prior to your call please be prepared to provide all model numbers shown on your Emerson Ceiling Fan. Once we have processed your return authorization request, we will provide you with a postage paid return label which should be affixed to the Emerson Ceiling Fan package you ship to the address listed at the end of this limited warranty. The return label will be sent to the mailing address you provide to us by phone.

## **What Is Not Covered:**

### **This limited warranty does not extend to and expressly excludes:**

- The glass globes and light bulbs of your Emerson Ceiling Fan,
- Loss or damage to the motor or any component or accessory caused by normal wear and tear, rather than due to defects in materials or workmanship,
- Loss or damage resulting from conditions beyond our reasonable control, including without limitation, repairs not made at our factory or authorized service center, use of parts or accessories not provided to you as part of this warranty by our factory or authorized service center, mishandling, unreasonable use, misuse, abuse, modifications or other damage caused by you or a third party to your Emerson Ceiling Fan while not in our possession,
- Loss or damage resulting from improper installation, or other failure to comply with instructions in your Owner's Manual.

This limited warranty is deemed null and void upon the occurrence of either of the following events:

- You cease to own the Emerson Ceiling Fan product, or
- The Emerson Ceiling Fan is moved from its original point of installation.

This limited warranty is only valid within the 50 United States, the District of Columbia, and Canada. No other written or oral warranties apply, and no employee, agent, dealer or other person is authorized to give any warranties on behalf of Air Comfort Products or Emerson Electric Co.

## **Limitation of Liability**

REPAIR, REPLACEMENT OR A REFUND ARE THE EXCLUSIVE REMEDIES AVAILABLE TO YOU UNDER THIS LIMITED WARRANTY. TO THE EXTENT PERMITTED BY LAW, IN NO EVENT SHALL EMERSON OR ANY EMERSON AUTHORIZED DEALER BE LIABLE FOR ANY INCIDENTAL, SPECIAL, INDIRECT, OR CONSEQUENTIAL DAMAGES, INCLUDING ANY ECONOMIC LOSS, WHETHER RESULTING FROM NONPERFORMANCE, USE, MISUSE OR INABILITY TO USE THE EMERSON CEILING FAN OR FOR THE NEGLIGENCE OF EMERSON OR AN EMERSON AUTHORIZED DEALER. EMERSON SHALL NOT BE LIABLE FOR DAMAGES CAUSED BY DELAY IN PERFORMANCE AND IN NO EVENT, REGARDLESS OF THE FORM OF THE CLAIM OR CAUSE OF ACTION (WHETHER BASED IN CONTRACT, INFRINGEMENT, NEGLIGENCE, STRICT LIABILITY, OTHER TORT OR OTHERWISE), SHALL EMERSON'S OR ANY EMERSON AUTHORIZED AGENT'S LIABILITY TO YOU OR ANY INDIVIDUAL USING THE EMERSON CEILING FAN EXCEED THE PRICE PAID BY THE ORIGINAL OWNER FOR THE EMERSON CEILING FAN. The term "consequential damages" shall include, but not be limited to, loss of anticipated profits, business interruption, loss of use or revenue, cost of capital or loss or damage to property or equipment.

## **How State and Provincial Law Relates To The Warranty:**

Some states and provinces do not allow the exclusion or limitation of incidental or consequential damages so the above exclusion or limitation may not apply to you. This limited warranty gives you specific legal rights, and you may also have other rights which vary from state to state or province to province.

emersonfans.com

Please contact 1-800-654-3545 for further assistance

ETL Model No.: CF530



# **EMERSON**<sup>TM</sup>

## **Air Comfort Products**

DIVISION OF EMERSON ELECTRIC CO.  
8100 W. Florissant • St. Louis, MO 63136

Questions, problems, missing parts: Before returning to the store call  
Emerson Electric Customer Service  
8 a.m. - 6 p.m., Eastern, Monday-Friday

**1-800-654-3545**

**[www.emersonfans.com](http://www.emersonfans.com)**

Retain this manual for future use.