

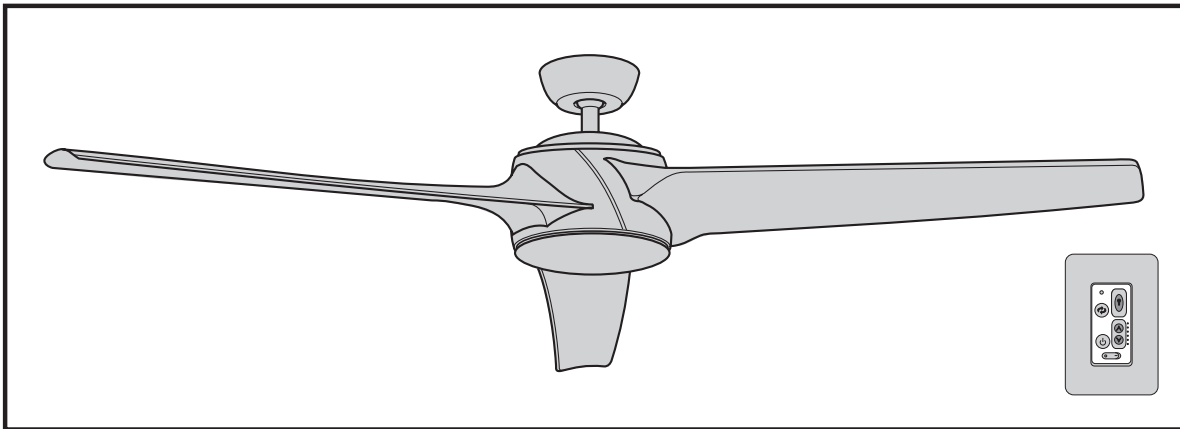


READ AND SAVE THESE INSTRUCTIONS



EMERSON™

CONTEMPORARY



LURAY ECO™

**60" Damp Location
Ceiling Fan Owner's Manual**

Model Numbers

CF860BQ00 - Barbeque Black

CF860PT00 - Platinum

CF860WW00 - Appliance White



Net Weight: 20.02 Lbs.



Questions, problems, missing parts: Before returning to the store call
Emerson Electric Customer Service - 8 a.m. - 6 p.m., Eastern, Monday-Friday

1-800-654-3545

www.emersonfans.com

- Español - página 34
- Français - page 67

Part No. F40BP75150000
Revision: 160104

Form No. BP7515
ETL Model No.: CF860

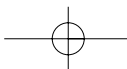


Table of Contents

Section	Page	Section	Page
Safety Instructions	.2	10. Programming the Receiver Operating Frequency & High Speed Conditioning of Fan Control	.26
1. Unpacking Instructions	.3-4	11. Using Your Ceiling Fan	.27
2. Electrical Requirements	.4	12. Maintenance	.28
3. Ceiling Fan Assembly	.5-10	13. Accessories	.28
4. How to Hang Your Ceiling Fan	.10-11	14. Energy Efficient Use of Ceiling Fans	.28
5. Light Kit Assembly	.12	15. Troubleshooting	.29
6. Optional Installation of No-Light Plate Assembly	.13-14	16. Repair Parts	.30-31
7. How to Wire Your Ceiling Fan	.14-16	Ceiling Fan Limited Warranty	.33
8. Light Kit Assembly Replacement	.17-20	Spanish	.34
9. Wall Control Installation	.21-25	French	.67

READ AND SAVE THESE INSTRUCTIONS

Safety Instructions

WARNING

TO REDUCE THE RISK OF FIRE, ELECTRICAL SHOCK, OR INJURY TO PERSONS, OBSERVE THE FOLLOWING:

- a. Use this unit only in a manner intended by the manufacturer. If you have questions, contact the manufacturer.
- b. Before servicing or cleaning unit, switch power off at service panel and lock service panel disconnecting means to prevent power from being switched on accidentally. When the service disconnecting means cannot be locked, securely fasten a warning device, such as a tag, to the service panel.

1. Read your owner's manual carefully and keep it for future reference.
2. Be careful of the fan and blades when cleaning, painting, or working near the fan. Always turn off the power to the ceiling fan before servicing.
3. Do not put anything into the fan blades while they are turning.

Additional Safety Instructions for Installation

1. To avoid possible shock, be sure electricity is turned off at the fuse box before wiring, and do not operate fan without blades.
2. All wiring must be in accordance with the National Electrical Code "ANSI/NFPA 70-2014" and Local Electrical Codes. Use the National Electrical Code if Local Codes do not exist. The ceiling fan must be grounded as a precaution against possible electrical shock. Electrical installation should be made or approved by a licensed electrician.
3. The outlet box and joist must be securely mounted and capable of reliably supporting at least 50 pounds. Use only U.L. outlet boxes listed as "Acceptable for Fan Support of 22.7kg. (50 lbs.) or less", and use the mounting screws provided with the outlet box. Most outlet boxes

commonly used for support of light fixtures are not acceptable for fan support and may need to be replaced. Consult a qualified electrician if in doubt.

4. The downrod furnished with the fan provides the minimum recommended floor to fan blade clearance for an 8 foot ceiling.
5. The fan must be mounted with the fan blades at least 7 feet from the floor to prevent accidental contact with the fan blades.
6. Follow the recommended instructions for the proper method of wiring your ceiling fan. If you do not know enough about electrical wiring, have your fan installed by a licensed electrician.

NOTE: This fan is suitable for use with solid-state speed controls.

NOTE: All setscrews must be checked and re-tightened where necessary before installation.

WARNING

To reduce the risk of electrical shock, this fan must be installed with an isolating wall control/switch.

To reduce the risk of fire or electrical shock, this fan should only be used with fan speed control, Model No. FR-Y786N-04, manufactured by Rhine Electric Co., Ltd.

This product is designed to use only those parts supplied with this product and/or any accessories designated specifically for use this product by Emerson Electric Co. Substitution of parts or accessories not designated for use with this product by Emerson could result in personal injury or property damage.

To reduce the risk of personal injury, do not bend the blade flange when installing the blade flanges, balancing the blades or cleaning the fan. Do not insert foreign objects in between rotating fan blades..

1. Unpacking Instructions

⚠ WARNING

Do not install or use fan if any part is damaged or missing. Call Toll-Free:

1-800-654-3545

⚠ WARNING

This product is designed to use only those parts supplied with this product and/or any accessories designated specifically for use with this product by Emerson Electric Co. Substitution of parts or accessories not designated for use with this product by Emerson Electric Co. could result in personal injury or property damage.

1.1

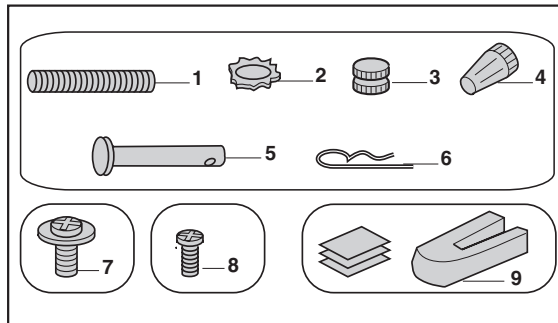
Open carton containing fan. Remove top half of styrofoam unit. Remove parts and check to see that you have received the following parts:

NOTE: If you are uncertain of part description, refer to exploded view illustration.

NOTE: Place the parts from the loose parts bags in a small container to keep them from being lost. If any parts are missing, call 1-800-654-3545 for replacement parts before proceeding.

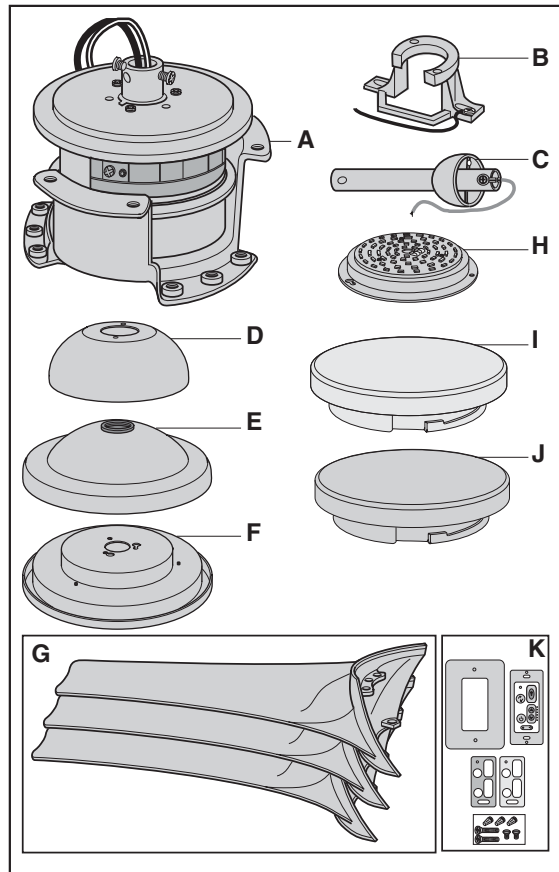
HARDWARE CONTENTS

Part	Description	Quantity
1	Threaded Studs, #8-32 x 1-1/4"	2
2	Lockwashers, External Tooth, #8	2
3	Knurled Knobs, #8-32	2
4	Wire Connectors	5
5	Clevis Pin	1
6	Hairpin Clip	1
7	Washer Head Screws, #8-32 x .50"	16
8	Pan Head Screws, #6-32 x .375" (Spares)	2
9	Blade Balance Kit	1



PACKAGE CONTENTS

Part	Description	Quantity
A	Fan Motor Assembly	1
B	Hanger Bracket	1
C	Hanger Ball/4.5" Downrod	1
D	Ceiling Cover	1
E	Motor Coupler Cover	1
F	Light Kit Adapter	1
G	Fan Blades	3
H	Light Kit Assembly	1
I	Shade	1
J	No-Light Plate	1
K	Wall Control	1



1. Unpacking Instructions (Continued)

This Manual Is Designed to Make it as Easy as Possible for You to Assemble, Install, Operate and Maintain Your Ceiling Fan

THIS FAN IS SUITABLE FOR DAMP LOCATIONS SUCH AS COVERED PORCHES, COVERED PATIOS, AND COVERED DECKS...ANYWHERE THERE IS A ROOF OVERHEAD. USE ONLY WITH LIGHT KITS MARKED SUITABLE FOR USE IN DAMP LOCATIONS.

Tools Needed for Assembly

- One Phillips head screwdriver
- One 1/4" blade screwdriver
- One stepladder
- One wire stripper

Materials

Wiring outlet box and box connectors must be of type required by the local code. The minimum wire would be a 3-conductor (2-wire with ground) of following size:

Installed Wire Length	Wire Size A.W.G.
Up to 50 ft.	14
50-100 ft.	12

Your Emerson Ceiling Fan comes supplied with a DC Receiver and Fan Wall Control. This system allows you to regulate your ceiling fan speed and light control.

This Emerson Ceiling Fan may be used with the following accessory (purchased separately): SR600 Remote Control.

WARNING

Before assembling your ceiling fan, refer to section on proper method of wiring your fan (page 14). If you feel you do not have enough wiring knowledge or experience, have your fan installed by a licensed electrician.

2. Electrical Requirements

Your new ceiling fan will require a grounded electrical supply line of 120 volts AC, 60 Hz, 15 amp circuit.

The outlet box must be securely anchored and capable of withstanding a load of at least 50 pounds.

If your fan is to replace an existing ceiling light fixture, turn electricity off at the main fuse box at this time and remove the existing light fixture.

WARNING

To reduce the risk of fire, electric shock, or personal injury, mount fan to outlet box marked "Acceptable for Fan Support of 22.7kg. (50 lbs.) or less", and use screws supplied with outlet box. Most outlet boxes commonly used for support of light fixtures are not acceptable for fan support and may need to be replaced. Consult a qualified electrician if in doubt.

WARNING

To avoid fire or shock, follow all wiring instructions carefully. Any electrical work not described in these instructions should be done or approved by a licensed electrician.

WARNING

Turning off wall switch is not sufficient. To avoid possible electrical shock, be sure electricity is turned off at the main fuse box before wiring. All wiring must be in accordance with National and Local codes and the ceiling fan must be properly grounded as a precaution against possible electrical shock.

Please call Emerson technical support at 1-800-654-3545 if you have any questions about installation and operation of this ceiling fan.

3. Ceiling Fan Assembly

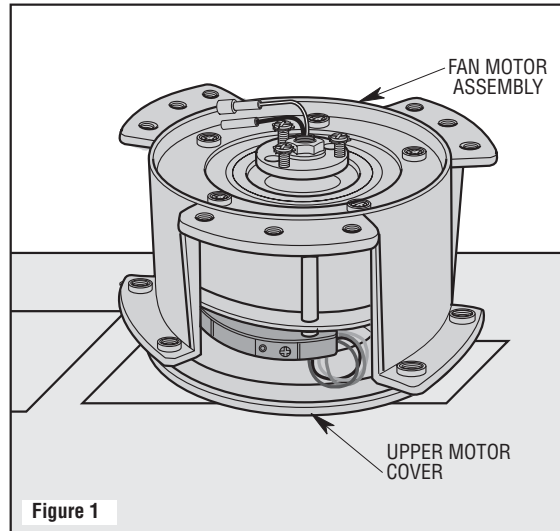
3.1

Flip the upper foam pad over and place on a stable working surface.

Remove the fan motor assembly from the protective plastic bag.

Place fan motor assembly on top of the foam pad with the upper motor cover supporting the weight of the motor (Figure 1).

This will permit access for the blades to be installed.



3.2

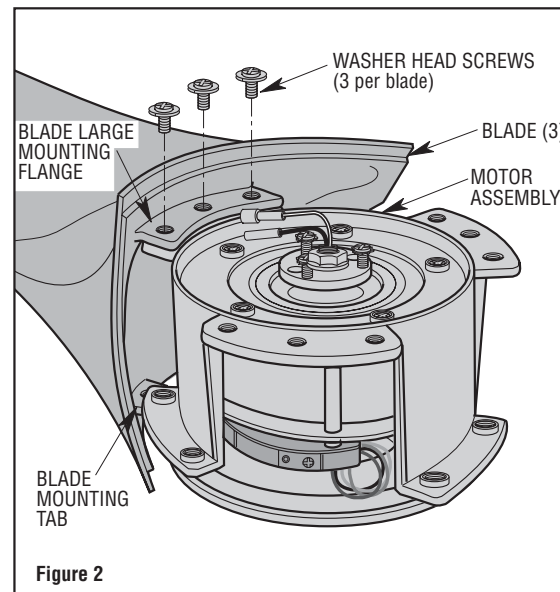
Note- The blades will have screws installed from the top and bottom into the motor assembly.

Carefully place the first blade onto the motor assembly such that the large mounting flange with three holes aligns with the three matching holes of the motor (Figure 2). The two bottom blade mounting tabs should align with the mating mounting ears on the other side of the motor.

Install three screws into the blade holes and loosely fasten to the motor with a Phillips tip screw driver.

Repeat this for each of the other two blades. Be careful to align the edge of each blade with the edge(s) of the adjoining blades to avoid scratching the paint. Reposition the blades as needed to form a concentric circle with uniform gaps between the blades.

After all three blades are installed and aligned, completely tighten the nine screws. You may hear a popping noise as the blade edges mate together.



⚠ WARNING

To reduce the risk of personal injury, do not bend the blade assemblies when installing, balancing the blades or cleaning the fan. Do not insert foreign objects in between rotating fan blades.

3. Ceiling Fan Assembly (Continued)

3.3

Remove one of the three pan head screws from the motor assembly hub, retain the screw for future use. Loosen the remaining two screws (Figure 3).

Place the two motor assembly wires through the large center hole of the light kit adapter (Figure 3).

Position the light kit adapter key hole slots onto the two loosened screw heads. Rotate the switch housing adapter clockwise to engage the two screws. Verify that the serrated washers are not trapped between the light kit adapter and the motor hub. Reinstall the previously removed screw.

Retighten all three screws to securely attach the light kit adapter to the motor assembly.

A spare #6-32 x .375" pan head screw is in the parts bag.

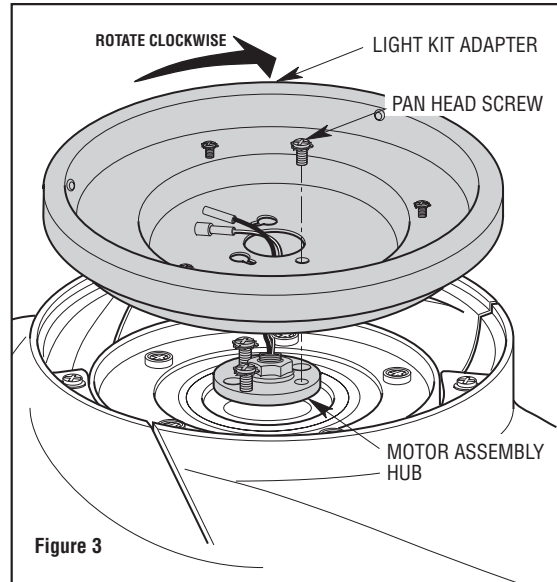


Figure 3

3.4

Grasp the motor by the light kit adapter and upper motor cover, and carefully turn the partially assembled ceiling fan over and place directly on top of the foam pad such that the light kit adapter is supporting the weight of the fan. The blades should be free to rotate.(Figure 4).

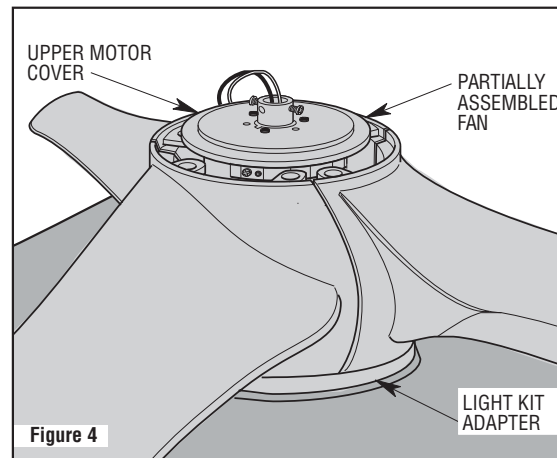


Figure 4

3. Ceiling Fan Assembly (Continued)

3.5

NOTE: Installation of the blade will be complete after this step:

Align the two blade tab holes of one blade with the threaded holes of the motor and install a washer head screw into each hole (Figure 5).

Loosely fasten each screw into the motor ear. It will be necessary push on the blade with your hand to align the holes. Have patience during this step.

Repeat the washer head screw installation for each of the remaining blades.

Fully tighten all six screws when the mating blade edges are aligned and appear equally spaced.

NOTE: Installation of the three blade assemblies will form the ceiling fan housing. The blades can be adjusted by loosening the fifteen washer head screws and repositioning the blades. Fully re-tighten all fifteen screws when finished with adjustments.

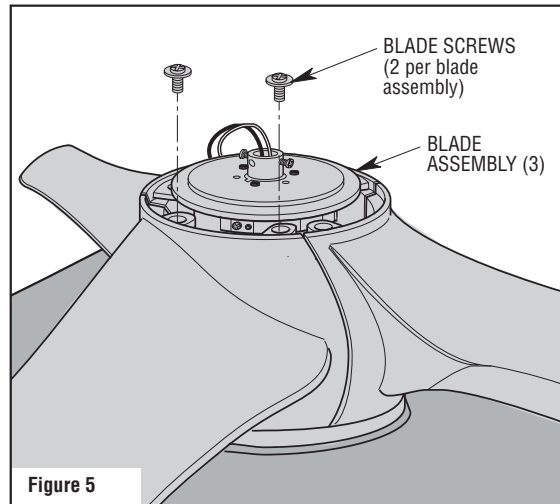


Figure 5

3.6

Remove the hanger ball by loosening the Phillips head setscrew in the hanger ball until the ball falls freely down the 4.5" downrod (Figure 6).

Remove the pin from the 4.5" downrod, then remove the hanger ball (Figure 6).

Retain the pin and hanger ball for reinstallation in Step 3.12.

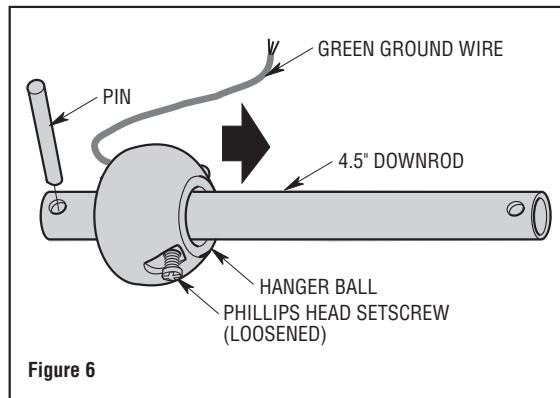
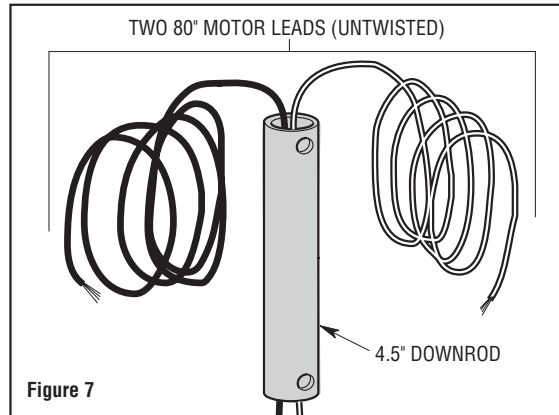


Figure 6

3. Ceiling Fan Assembly (Continued)

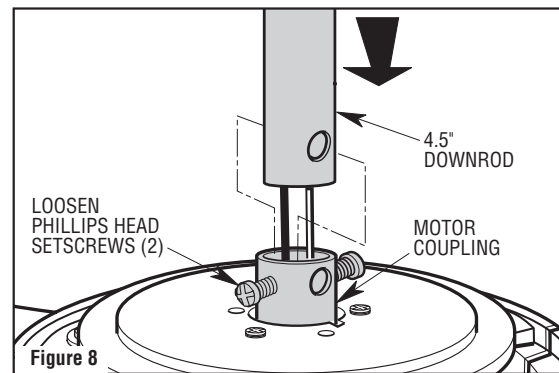
3.7

Separate, untwist and unkink the two 80" motor leads. Route the two motor leads through the 4.5" downrod (Figure 7).



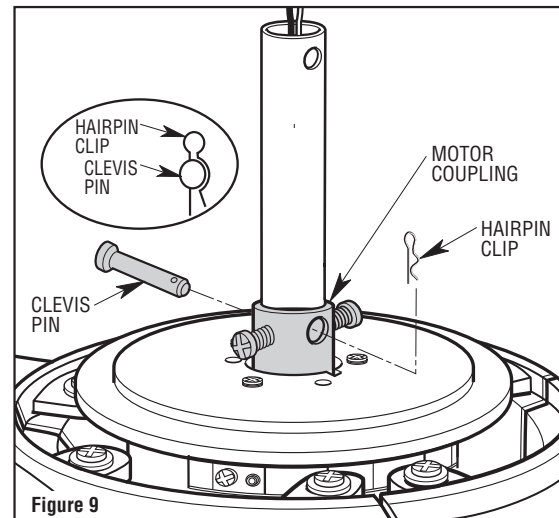
3.8

Loosen the two Phillips head setscrews in the motor coupler for installation of the downrod (Figure 8).
Seat the downrod in the motor coupler (Figure 8).
Rotate and align the downrod holes with all the holes in the motor coupler (Figure 8).



3.9

Align the clevis pin holes in the downrod with the holes in the motor coupler.
Install the clevis pin and secure with the hairpin clip (Figure 9).
The clevis pin must go through the holes in the motor coupler. It is critical that the clevis pin in the motor coupler is properly installed and securely tightened.
Evenly retighten the two Phillips head setscrews to secure the downrod to the motor coupling in a vertical position (Figure 9).



⚠ WARNING

It is critical that the clevis pin and setscrews in the motor coupler are properly installed and securely tightened. Failure to verify that the pin and setscrews are properly installed could result in the fan falling.

3. Ceiling Fan Assembly (Continued)

3.10

Make sure the grommet is properly installed in the motor coupler cover, then slide the motor coupler cover on the downrod until it rests on the motor housing (Figure 10).

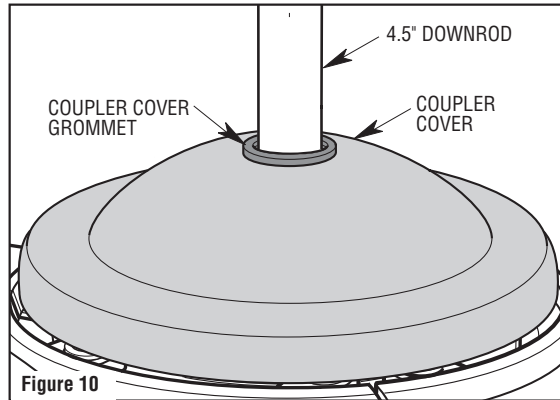


Figure 10

3.11

Place the ceiling cover over the downrod (Figure 11).

Be sure that the ceiling cover and the motor coupler cover are both oriented correctly (Figure 11).

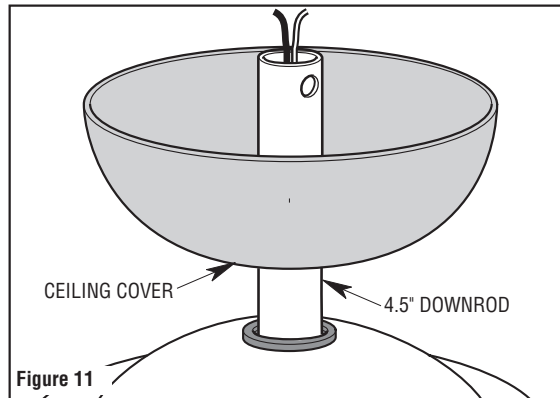


Figure 11

3.12

Route the two 80" motor leads through the hanger ball (Figure 12).

Reinstall the hanger ball on the downrod as follows:

Position the pin through the two holes in the downrod and align the hanger ball so the pin is captured in the groove in the top of the hanger ball (Figure 12).

Pull the hanger ball up tight against the pin and securely tighten the setscrew in the hanger ball (Figure 12).

Loose setscrew could create fan wobble.

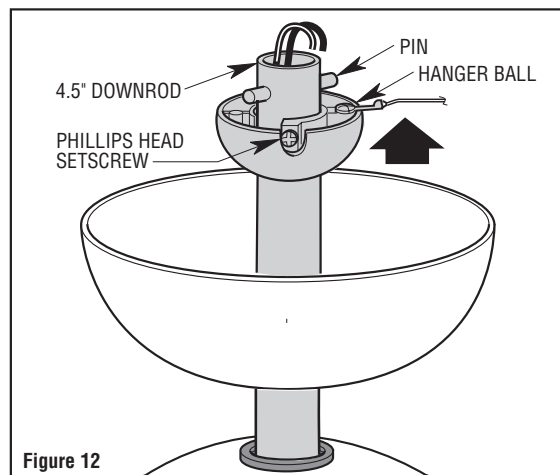


Figure 12

3. Ceiling Fan Assembly (Continued)

3.13

The fan comes with black and white leads that are 80-inches long.

Measure up approximately 6 to 9-inches above top of hanger ball/4.5" downrod assembly (Figure 13).

Cut off excess leads and strip back insulation 1/2-inch from end of leads.

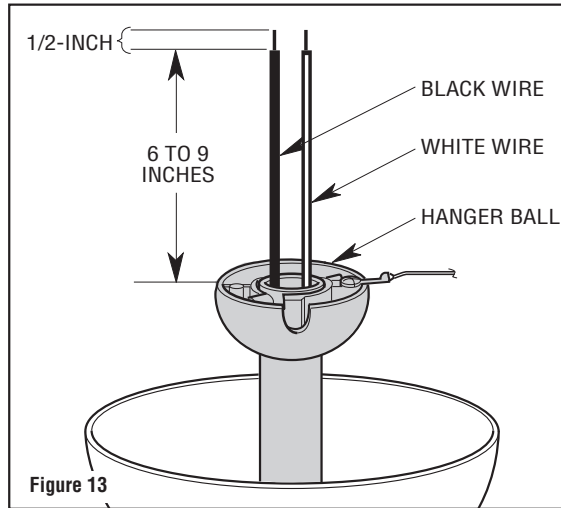


Figure 13

4. How to Hang Your Ceiling Fan

⚠ WARNING

The fan must be hung with at least 7' of clearance from floor to blades (Figure 14).

⚠ WARNING

To avoid possible electrical shock, be sure electricity is turned off at the main fuse box before wiring.

NOTE: If you are not sure if the outlet box is grounded, contact a licensed electrician for advice, as it must be grounded for safe operation.

⚠ WARNING

Turning off wall switch is not sufficient. To avoid possible electrical shock, be sure electricity is turned off at the main fuse box before wiring. All wiring must be in accordance with National and Local codes and the ceiling fan must be properly grounded as a precaution against possible electrical shock.

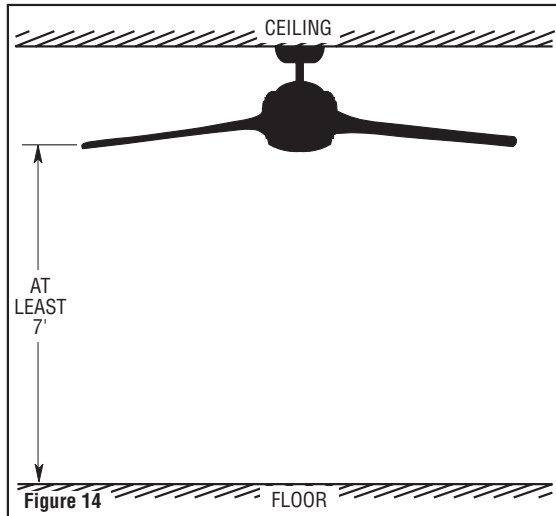


Figure 14

⚠ WARNING

To avoid fire or shock, follow all wiring instructions carefully.

Any electrical work not described in these instructions should be done or approved by a licensed electrician.

4. How to Hang Your Ceiling Fan (Continued)

⚠ WARNING

The outlet box and joist must be securely mounted and capable of supporting at least 50 lbs. Use only a U.L. outlet box listed as "Acceptable for Fan Support of 22.7 kg. (50 lbs.) or less".

⚠ WARNING

To reduce the risk of fire, electric shock, or personal injury, mount fan to outlet box marked "Acceptable for Fan Support of 22.7 kg. (50 lbs.) or less", and use screws supplied with outlet box. Most outlet boxes commonly used for support of light fixtures are not acceptable for fan support and may need to be replaced. Consult a qualified electrician if in doubt.

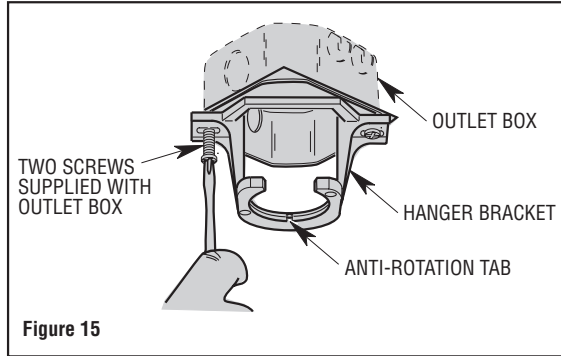


Figure 15

⚠ WARNING

Hanger bracket must seat firmly against outlet box. If the outlet box is recessed, remove wall board until bracket contacts box. If bracket and/or outlet box are not securely attached, the fan could wobble or fall.

4.1

Securely attach the hanger bracket to the outlet box using the two screws supplied with the outlet box. (Figure 15).

4.2

Carefully lift the partially assembled ceiling fan and seat the hanger ball/downrod assembly on the hanger bracket that was just attached to the outlet box (Figure 16).

Be sure the groove in the ball is engaged with the anti-rotation tab on the hanger bracket (Figure 16).

NOTE: Be very careful not to bend the blade assemblies while hanging the partially assembled ceiling fan.

⚠ WARNING

Failure to seat tab in groove could cause damage to electrical wires and possible shock or fire hazard.

⚠ WARNING

To avoid possible fire or shock, do not pinch wires between the hanger ball/downrod assembly and hanger bracket.

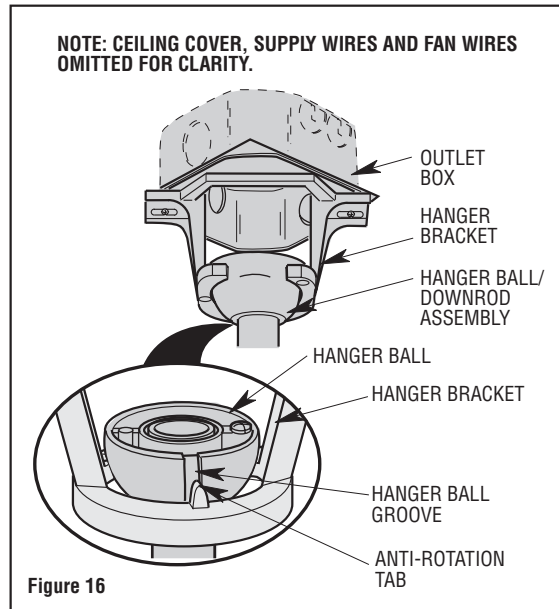


Figure 16

5. Light Kit Assembly

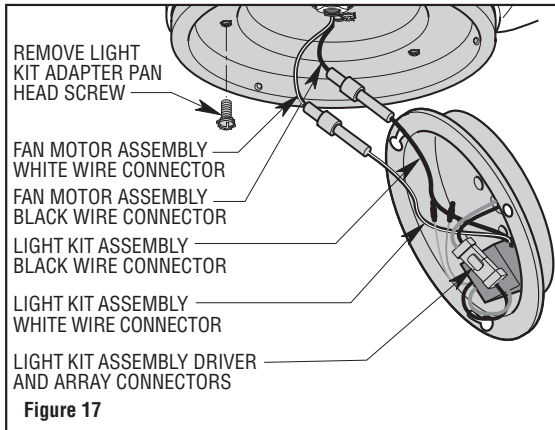
5.1

Remove one of the three screws in the Light Kit Adapter and loosen the remaining two screws (Figure 17).

Retain the screw for future use.

Engage the fan motor assembly black wire connector into the black wire connector of the Light Kit Assembly (Figure 17). The connection is complete when you hear a soft click.

Engage the fan motor assembly white wire connector into the white wire connector of the Light Kit Assembly (Figure 17). The connection is complete when you hear a soft click.



5.2

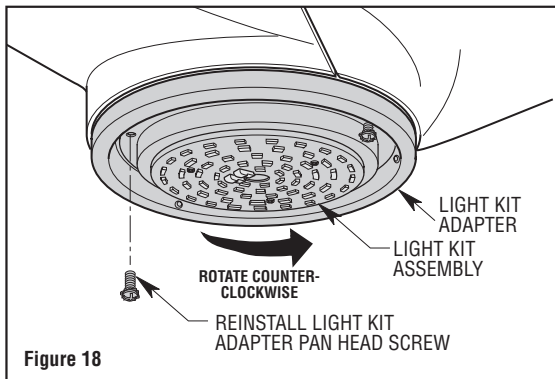
Carefully tuck all the wires into the Light Kit Assembly.

Position the Light Kit Assembly key hole slots onto the two loosened screw heads. Rotate the Light Kit Assembly counter-clockwise to engage the two screw heads (Figure 18). Verify that the serrated washers are not trapped between the Light Kit Assembly and the Light Kit Adapter.

Reinstall the previously removed screw.

Tighten all three screws to securely attach the Light Kit Assembly to the Light Kit Adapter.

A spare Light Kit Adapter #6-32 x .375" pan head screw is in the parts bag.



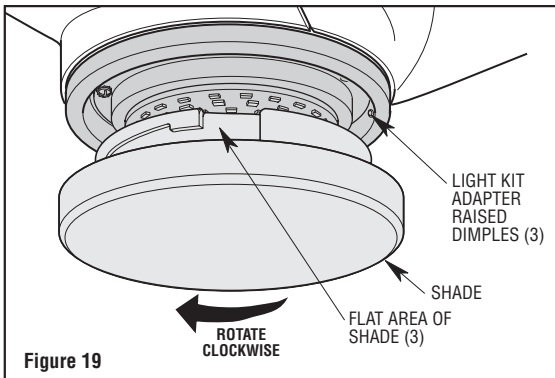
! WARNING

To avoid possible fire or shock, do not pinch wires between the Light Kit Assembly and the Light Kit Adapter.

5.3

Place the shade into the opening of the Light Kit Adapter, aligning the three flat areas on the top edge of the shade with the three raised dimples on the Light Kit Adapter and turn the shade clockwise until it stops (Figure 19).

NOTE: Periodically check that the shade is seated fully clockwise in the Light Kit Adapter.



6. Optional Installation of No-Light Plate Assembly

6.1

Removal of the Shade from the Light Kit Adapter:

Rotate the Shade counter-clockwise to loosen from the Light Kit Adapter (Figure 20).

Remove the Shade from the Light Kit Adapter (Figure 20).

Store Shade in a safe location for future installation.

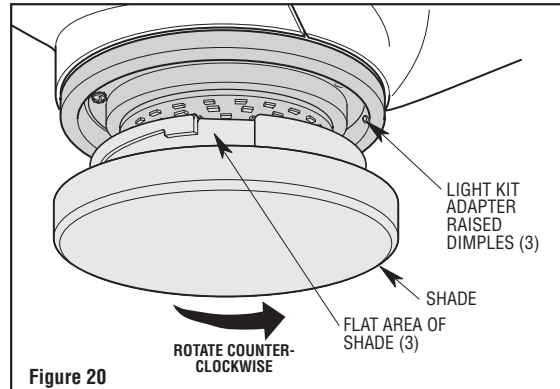


Figure 20

6.2

Removal of the Light Kit Assembly from the Light Kit Adapter:

Loosened the Light Kit Adapter #6-32 x .375" two pan head screws located in the key hole slots.

Remove the remaining Light Kit Adapter #6-32 x .375" pan head screw (Figure 21). Retain for future use.

Rotate the Light Kit Assembly clockwise to disengage the two screw heads in the key hole slots for removal of Light Kit Assembly.

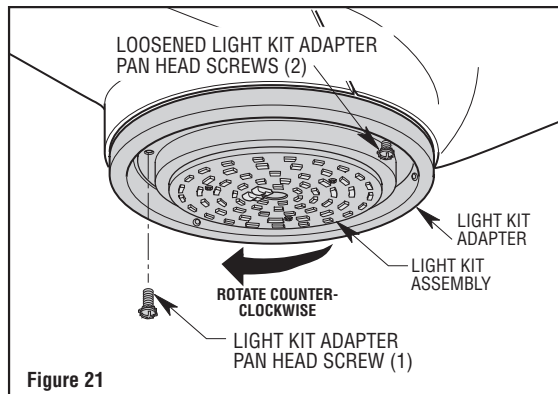


Figure 21

6.3

Disengage the fan motor assembly black wire connector into the black wire connector of the Light Kit Assembly (Figure 22).

Disengage the fan motor assembly white wire connector into the white wire connector of the Light Kit Assembly (Figure 22).

Store Light Kit Assembly in a safe location for future installation.

Reinstall the #6-32 x .375" pan head screw into the Light Kit Adapter.

Tighten securely the three #6-32 x .375" pan head screws.

A spare Light Kit Assembly #6-32 x .375" pan head screw is in the parts bag.

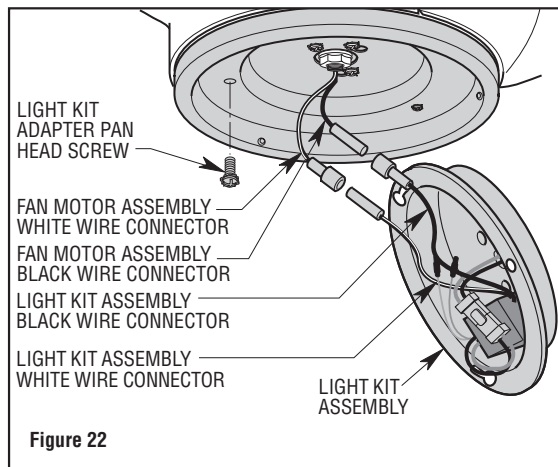


Figure 22

6. Optional Installation No-Light Plate Assembly (Continued)

6.4

Carefully tuck all the wires into the Light Kit Adapter.

Place the no-light plate into the opening of the Light Kit Adapter, aligning the three flat areas on the top edge of the no-light plate with the three raised dimples on the Light Kit Adapter and turn the plate clockwise until it stops (Figure 23).

NOTE: The no-light plate is equipped with an interference device that will not allow it to be installed if the light kit assembly is not removed.

NOTE: Periodically check that the no-light plate is seated fully clockwise in Light Kit Adapter.

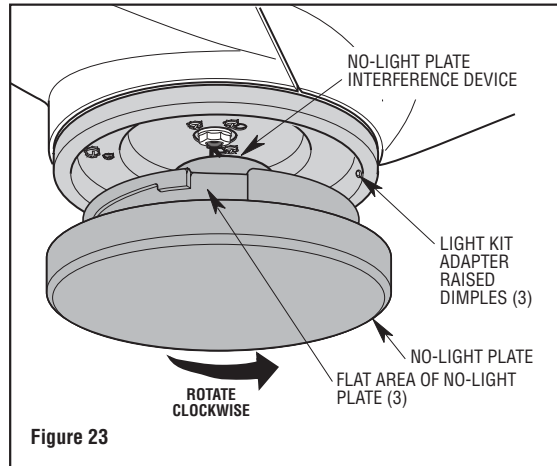


Figure 23

7. How to Wire Your Ceiling Fan

If you feel that you do not have enough electrical wiring knowledge or experience, have your fan installed by a licensed electrician.

⚠ WARNING

To avoid possible electrical shock, be sure electricity is turned off at the main fuse box before wiring.

NOTE: If you are not sure if the outlet box is grounded, contact a licensed electrician for advice, as it must be grounded for safe operation.

⚠ WARNING

Turning off wall switch is not sufficient. To avoid possible electrical shock, be sure electricity is turned off at the main fuse box before wiring. All wiring must be in accordance with National and Local codes and the ceiling fan must be properly grounded as a precaution against possible electrical shock.

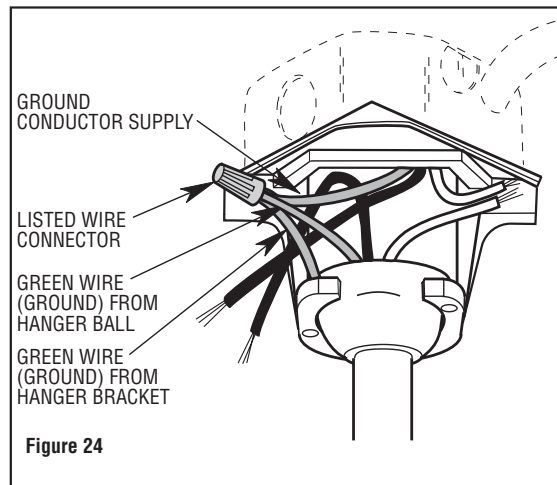


Figure 24

⚠ WARNING

This product is designed to use only those parts supplied with this product and/or any accessories designated specifically for use with this product by Emerson Electric Co. Substitution of parts or accessories not designated for use with this product by Emerson Electric Co. could result in personal injury or property damage.

7.1

Connect the green grounding lead from the hanger ball and the green grounding lead from the hanger bracket to the grounding conductor of supply (this may be a bare wire or wire with green colored insulation). Securely connect wires with wire connectors (supplied) (Figure 24).

7. How to Wire Your Ceiling Fan (Continued)

7.2

Securely connect the fan motor white wire to the supply white (neutral) wire using wire connector (supplied) (Figure 25).

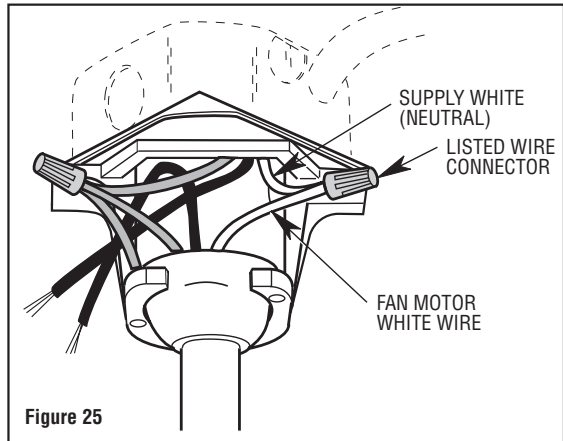


Figure 25

7.3

Securely connect the fan motor black wire to the supply black (hot) wire using wire connector (supplied) (Figure 26).

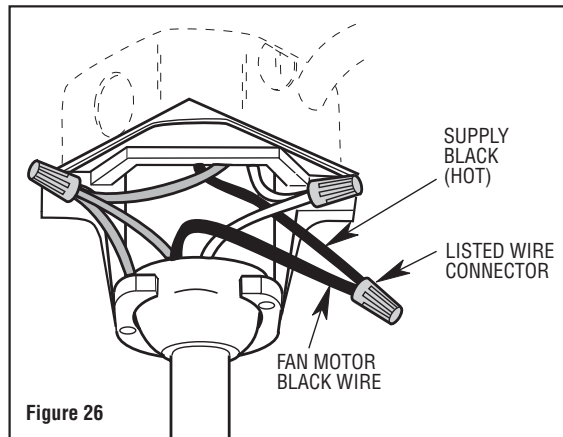


Figure 26

7.4

After connections have been made, turn leads upward and carefully push leads into the outlet box, with the white and green leads on one side of the outlet box and position the black lead on the other side of the outlet box (Figure 27).

⚠ WARNING

Check to see that all connections are tight, including ground, and that no bare wire is visible at the wire connectors, except for the ground wire. Do not operate fan until blades are in place. Noise and fan damage could result.

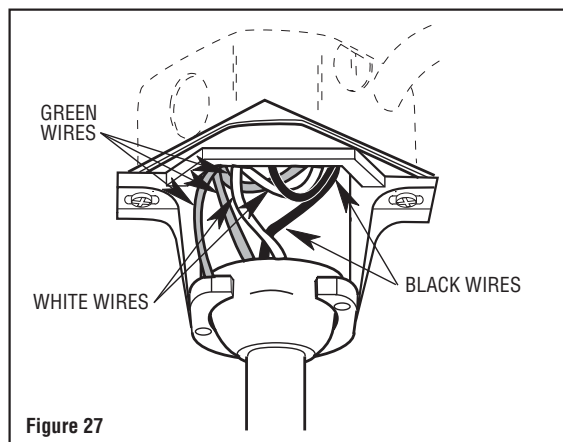


Figure 27

7. How to Wire Your Ceiling Fan (Continued)

7.5

Screw the two threaded studs (supplied) into the tapped holes in the hanger bracket (Figure 28).

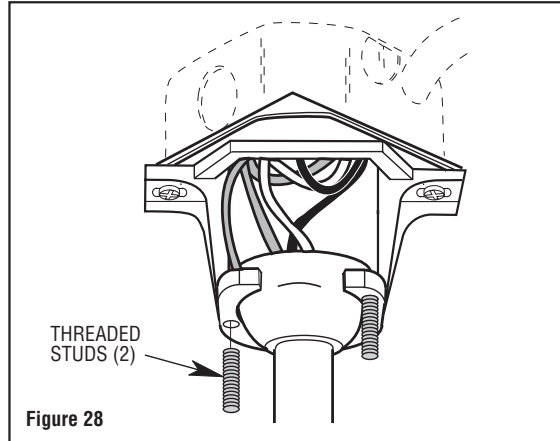


Figure 28

7.6

Lift the ceiling cover up to the threaded studs and turn until studs protrude through the holes in the ceiling cover (Figure 29).

Secure the ceiling cover in place by sliding lockwashers over the threaded studs and installing the two knurled knobs (supplied). (Figure 29).

Tighten the knurled knobs securely until the ceiling cover fits snugly against the ceiling and the hole in the ceiling cover is clear of the downrod.

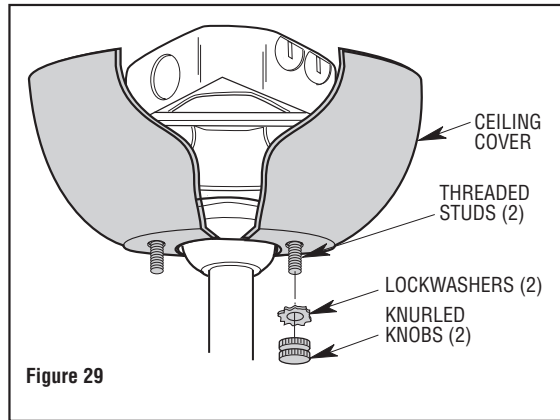


Figure 29

! WARNING

To avoid possible fire or shock, make sure that the electrical wires are completely inside the outlet box and not pinched between the ceiling cover and the ceiling.

8. Light Kit Assembly Replacement

Repair of the Light Kit can be Accomplished By; 1) Replacing the Entire Light Kit Assembly or; 2) Replacing the Driver or Array Components Individually.

8.1

METHOD 1- REPLACING THE ENTIRE LIGHT KIT ASSEMBLY.

WARNING

To avoid possible electrical shock, be sure electricity is turned off at the main fuse box before wiring.

NOTE: If you are not sure if the outlet box is grounded, contact a licensed electrician for advice, as it must be grounded for safe operation.

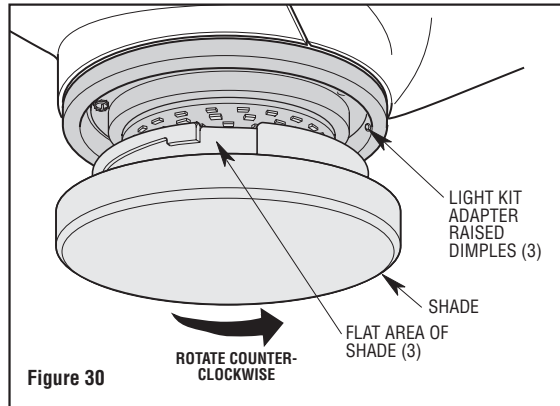
WARNING

Turning off wall switch is not sufficient. To avoid possible electrical shock, be sure electricity is turned off at the main fuse box before wiring. All wiring must be in accordance with National and Local codes and the ceiling fan must be properly grounded as a precaution against possible electrical shock.

8.2

Rotate and remove the shade counter-clockwise to expose the Light Kit Assembly (Figure 30).

Retain shade for future use.

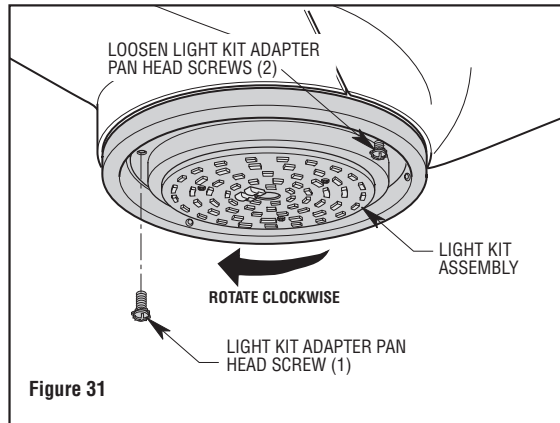


8.3

Loosen the two Light Kit Adapter #6-32 x .375" pan head screws located in the key hole slots.

Remove the remaining Light Kit Adapter #6-32 x .375" pan head screw (Figure 31). Retain for future use.

Rotate the Light Kit Assembly clockwise to disengage the two screw heads in the key hole slots for removal of Light Kit Assembly.



8. Light Kit Assembly Replacement (Continued)

8.4

Disengage the fan motor assembly black wire connector from the black wire connector of the new Light Kit Assembly (Figure 32).

Disengage the fan motor assembly white wire connector from the white wire connector of the new Light Kit Assembly (Figure 32).

8.5

Install new Light Kit Assembly by reversing Steps 8.4 through 8.2.

8.6

Restore electricity and verify function of the Light Kit.

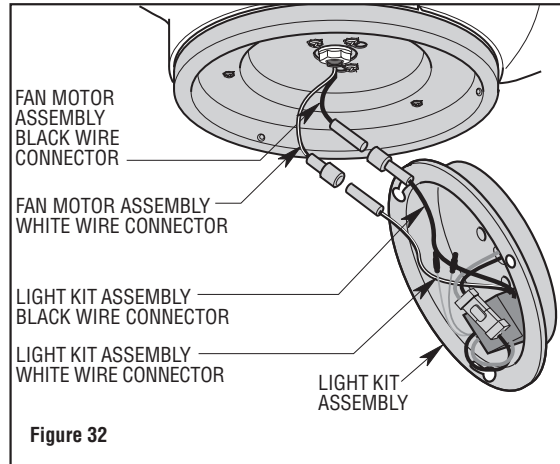


Figure 32

8.7

Method 2A - Replacing the Driver Assembly.

Remove the Light Kit Assembly from the Ceiling Fan per Instructions 8.2 through 8.4.

If Replacing Only the LED Array, Proceed to Instruction 8.12.

8.8

Squeeze and unclip the Light Kit Assembly Driver two pin connector off of the Light Kit Assembly Array connector (Figure 33).

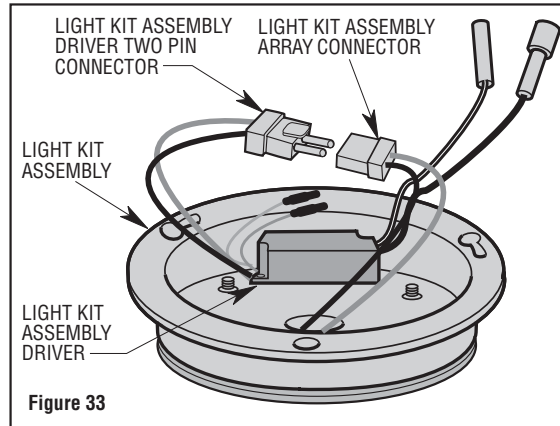


Figure 33

8.9

Gently pull up on the Light Kit Assembly Driver to unstick the adhesive foam tape from the bottom of the Driver (Figure 34).

Remove the old Light Kit Assembly Driver.

Discard the Light Kit Assembly in the correct recycle bin.

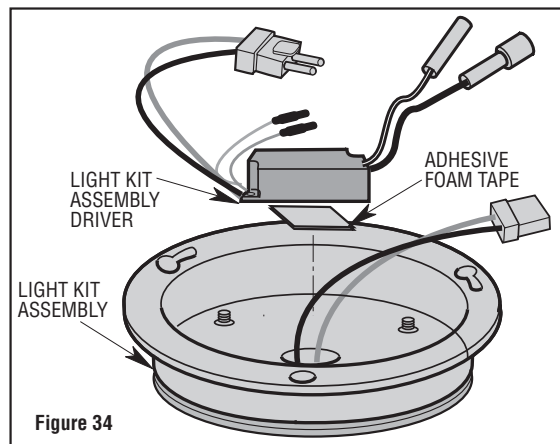


Figure 34

8. Light Kit Assembly Replacement (Continued)

8.10

Remove the paper backing from the adhesive foam tape on the bottom of the new Light Kit Assembly Driver.

Place the new Light Kit Assembly Driver into the assembly, aligning it directly where the old Driver had been (Figure 35).

Press firmly on the Light Kit Assembly Driver to adhere it to the Light Kit Assembly.

If Also Replacing the LED Array, Proceed to Instruction 8.12

If Finished - Re-connect the Light Kit Assembly Driver two pin connector to the Light Kit Assembly Array connector (Figure 35).

Reassemble the repaired Light Kit to the Light Kit Adapter by reversing Steps 8.4 through 8.2.

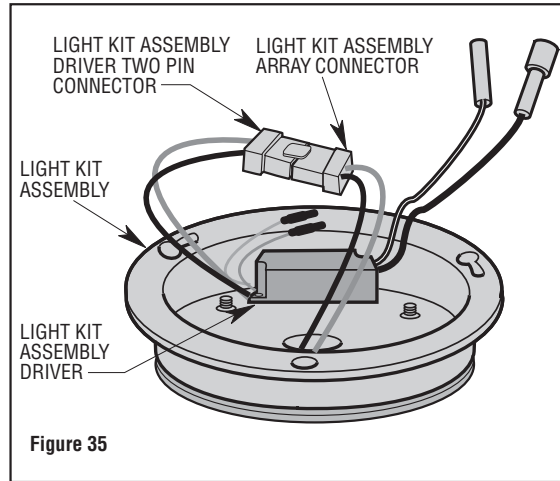


Figure 35

8.11

Restore electricity and verify function of the light kit.

8.12

Method 2B - Replacing the Array Assembly.

Remove the Light Kit Assembly from the Ceiling Fan per Instructions 8.2 through 8.4.

8.13

Squeeze and unclip the Light Kit Assembly Driver two pin connector off of the Light Kit Assembly Array connector (Figure 36).

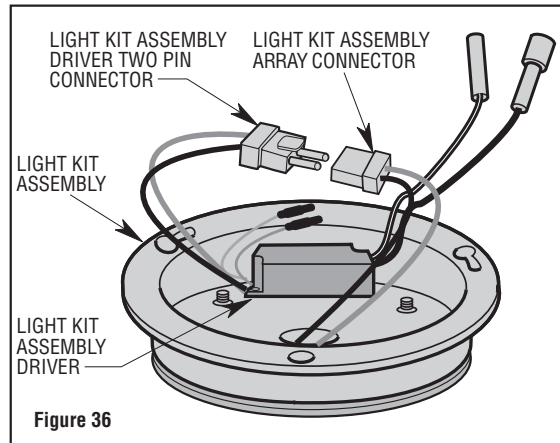


Figure 36

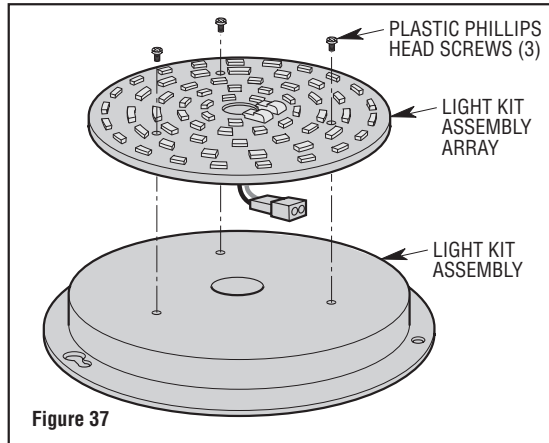
8. Light Kit Assembly Replacement (Continued)

8.14

Unscrew the three plastic Phillips head screws securing the Light Kit Assembly Array to the Light Kit Assembly (Figure 37).

Remove the Light Kit Assembly Array from the assembly.

Discard the Light Kit Assembly Array and three plastic screws in the correct recycle bin.



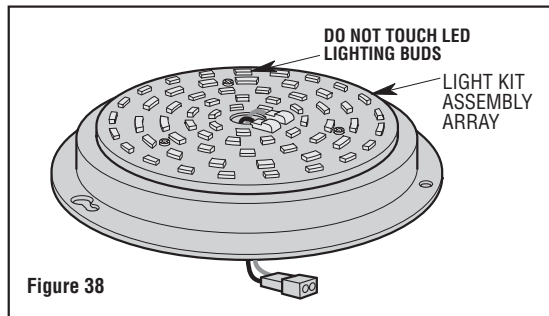
8.15

Slide the new Light Kit Assembly Array connector through the center hole of the Light Kit Assembly.

Position the new Light Kit Assembly Array onto the Light Kit Assembly.

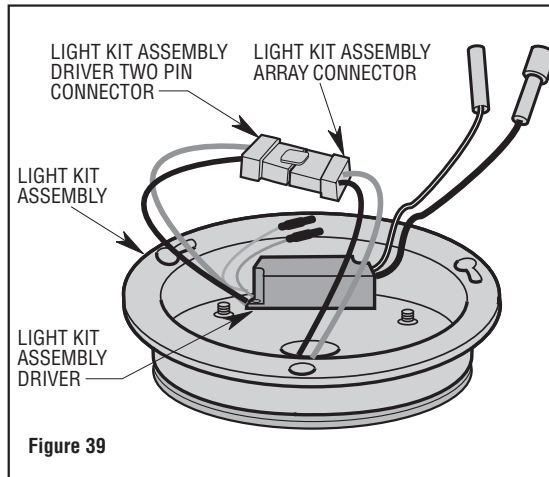
NOTE: Handle the new Light Kit Assembly Array around the edges of the Light Kit Assembly. Being careful not to touch the LED diodes, located on the Light Kit Assembly Array.

Reattach the new Light Kit Assembly Array by installing the three plastic Phillips head screws (provided with new replacement kit) (Figure 38).



8.16

Reconnect the Light Kit Assembly Driver two pin connector to the Light Kit Assembly Array connector (Figure 39).



8. Light Kit Assembly Replacement (Continued)

8.17

Reconnect the fan motor assembly black wire connector into the black wire connector of the Light Kit Assembly (Figure 40). The connection is complete when you hear a soft click.

Reconnect the fan motor assembly white wire connector into the white wire connector of the Light Kit Assembly (Figure 40). The connection is complete when you hear a soft click.

8.18

Install Repaired Light Kit Assembly by reversing Steps 8.3 through 8.2.

8.18

Restore electricity and verify function of the light kit.

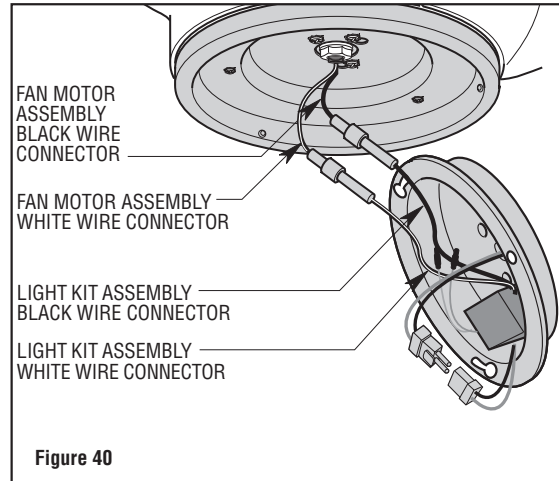


Figure 40

9. Wall Control Installation

9.1

Your Emerson Ceiling Fan/Light Control consists of wall mounted transmitter and a receiver located inside the motor assembly. The control is designed to remotely operate your ceiling fan speed, light intensity and direction of rotation.

Code switches in the transmitter may be set in 32 different positions. If your fan and light turn on and off without using your control, you may be getting interference from other remote units such as garage door openers, car alarms or security systems. To remedy this situations, simply change the code switches in your transmitter per the instructions of Section 9.3.

9.2

Preset Memory Feature: Your Emerson receiver is equipped with a preset memory feature. If the AC supply to the receiver is powered OFF through a wall switch, the control will remember the light intensity and fan speed. When the switch is turned back ON the light and fan will resume operation as they were prior to the switch being turned OFF.

9. Wall Control Installation (Continued)

9.3

Your wall control has code switches which must be set in one of 32 possible code combinations (Figure 41). The five levers (numbered 1, 2, 3, 4, and 5) on the switches are factory-set in the ON (up) position. Change the switch settings as follows:

Slide the five switch levers in the wall control to your choice of ON (up) or down positions. Use a ball-point pen or small screwdriver and slide the levers firmly up or down.

The sixth switch marked ON and I is for dimming control of lights: Set switch to ON to allow for dimming of the lights. Set switch to I for no dimming of the light kit.

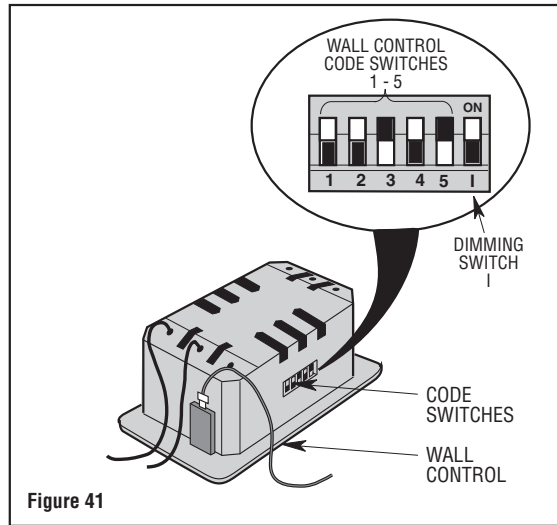


Figure 41

! WARNING

Turning off wall switch is not sufficient. To avoid possible electrical shock, be sure electricity is turned off at the main fuse or circuit breaker box before wiring. All wiring must be in accordance with National and Local codes and the ceiling fan must be properly grounded as a precaution against possible electrical shock.

CAUTION:

To reduce the risk of electrical shock, disconnect the electrical supply circuit before installing the fan, light kit or receiver.

NOTE: Make all wiring connections using wire connectors (supplied). Make sure that all connections are tight, including ground, and that no bare wire is visible at the wire connectors, except for the ground wire.

9.4

Disconnect electrical power to the branch circuit at the circuit breaker or fuse box before attempting to install the ceiling fan wall control into the outlet box.

9.5

This control is designed to operate only one ceiling fan

NOTE: Electric connections should be in accordance with the National Electrical Codes and all Local Codes. Before starting, disconnect power to the circuit at the fuse box or circuit breaker panel.

Remove the faceplate and screws from the existing wall switch. Pull switch out from wall outlet box.

Determine the “hot” wire and the “load” wire and disconnect these wires from existing control (Figure 42).

Do not attempt to disconnect any wires not already connected to existing control.

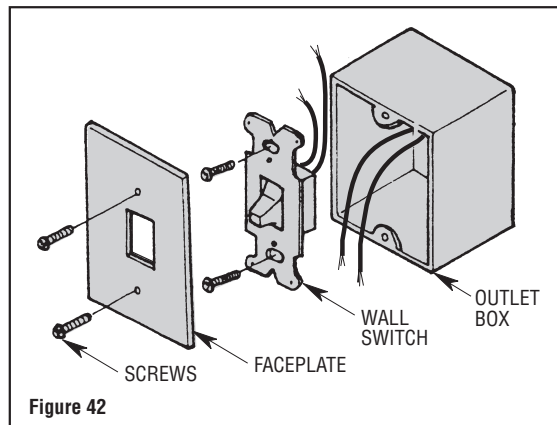


Figure 42

9. Wall Control Installation (Continued)

9.6

Disconnect electrical power to the branch circuit at the circuit breaker or fuse box before attempting to install the ceiling fan wall control into the outlet box.

Before installing wall control, place wall control in "OFF" mode by pushing "ON/OFF" switch to the "OFF" position.

⚠ WARNING

Do not connect any neutral (white) wire to this control. Incorrect wiring will damage this control.

Connect one black wire of wall control to the "hot" wire. Securely connect wires with wire connectors supplied (Figure 43).

Connect one black wire of wall switch to the "load" (black) wire in wall box. Securely connect wires with wire connector supplied.

⚠ WARNING

Check to see that all connections are tight and that no bare wires are visible at the wire connectors.

Screw wall control into wall box using the supplied screws. Leave wall control in "OFF" mode until fan installation is completed.

The wall control is supplied with a white, ivory, and almond color switch covers. Choose the finish that best suits your needs and snap the cover onto the wall control (Figure 43).

Install decorator wall plate using the two screws provided with wall plate. Leave wall control in "OFF" mode until fan installation is completed (Figure 43).

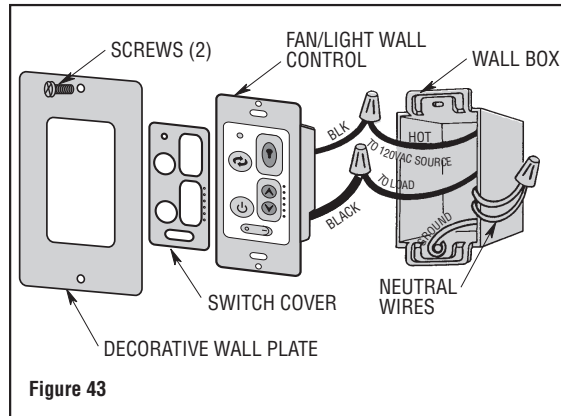


Figure 43

SINGLE-POLE INSTALLATION

(One fan controlled by one wall control)
(See Figure 44).

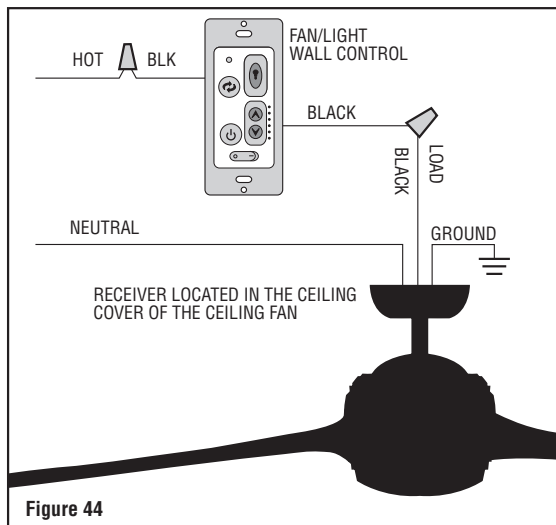


Figure 44

⚠ WARNING

Turning off wall switch is not sufficient. To avoid possible electrical shock, be sure electricity is turned off at the main fuse or circuit breaker box before wiring. All wiring must be in accordance with National and Local codes and the ceiling fan must be properly grounded as a precaution against possible electrical shock.

⚠ WARNING

Do not connect any neutral (white) wire to this control. Incorrect wiring will damage this control.

⚠ WARNING

Check to see that all connections are tight and that no bare wires are visible at the wire connectors.

9. Wall Control Installation (Continued)

3-WAY INSTALLATION

(One fan controlled by two different wall controls)
(See Figures 45 and 46).

⚠ WARNING

Turning off wall switch is not sufficient. To avoid possible electrical shock, be sure electricity is turned off at the main fuse or circuit breaker box before wiring. All wiring must be in accordance with National and Local codes and the ceiling fan must be properly grounded as a precaution against possible electrical shock.

9.6

Disconnect electrical power to the branch circuit at the circuit breaker or fuse box before attempting to install the ceiling fan wall control into the outlet box.

At all wall box locations remove faceplates and screws from existing controls. Pull controls out from wall boxes and determine which wall box contains the “hot” lead and which wall box contains the “load” wire. Also, identify traveler wires which are common to both wall boxes. Disconnect wires from existing controls only. Do not attempt to disconnect any wires not already connected to existing controls.

Before installing wall control, place wall control in “OFF” mode by pushing “ON/OFF” switch to the “OFF” position.

⚠ WARNING

Do not connect any neutral (white) wire to this control. Incorrect wiring will damage this control.

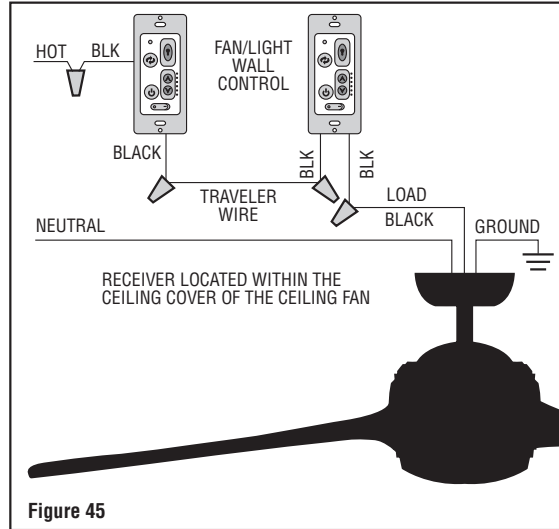


Figure 45

Install a wall control in the wall box containing the “hot” wire first. Connect the black wire of the wall control to the “hot” wire. Securely connect wires with wire connectors supplied.

Connect one black wire of the wall control to both remaining traveler wires in the wall box and secure with wire connector supplied.

⚠ WARNING

Check to see that all connections are tight and that no bare wires are visible at the wire connectors.

9. Wall Control Installation (Continued)

3-WAY WIRING DIAGRAM: NEW CONSTRUCTION

NOTE: Retrofit 3-way installations are likely to include two traveler wires between the two wall boxes. In new construction, only one traveler wire is required (See Figure 46).

⚠ WARNING

Turning off wall switch is not sufficient. To avoid possible electrical shock, be sure electricity is turned off at the main fuse or circuit breaker box before wiring. All wiring must be in accordance with National and Local codes and the ceiling fan must be properly grounded as a precaution against possible electrical shock.

9.7

Disconnect electrical power to the branch circuit at the circuit breaker or fuse box before attempting to install the ceiling fan wall control into the outlet box.

Screw wall control into wall box using the supplied screws. Leave wall control in "OFF" mode until fan installation is completed.

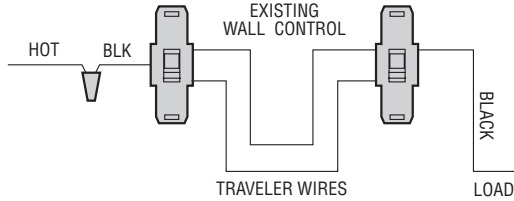
⚠ WARNING

Do not connect any neutral (white) wire to this control. Incorrect wiring will damage this control.

The wall control is supplied with a white, ivory, and almond color switch covers. Choose the finish that best suits your needs and snap the cover onto the wall control (Figure 46).

Next, install the other wall control into the wall box containing the load wire. Connect the black wire of the wall control to the traveler wire(s) already connected to the black wire (in the other wall box). Secure with wire connectors supplied.

STANDARD WIRING FOR EXISTING 3-WAY CONTROLS



3-WAY WIRING DIAGRAM: RETROFIT

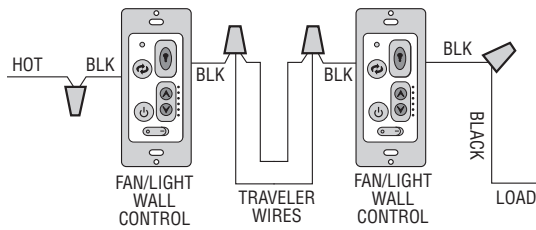


Figure 46

Connect one black wire of the wall control to the "load" (black) wire and secure with wire connector supplied.

Connect one black wire of the wall control to both remaining traveler wires in the wall box and secure with wire connector supplied.

⚠ WARNING

Check to see that all connections are tight and that no bare wires are visible at the wire connectors.

10. Programming the Receiver Operating Frequency & High Speed Conditioning of Fan Control

-- Important - Read This Section Carefully and Follow the High Speed Conditioning Instructions Closely --

PROGRAMMING THE RECEIVER OPERATING FREQUENCY & HIGH SPEED CONDITIONING OF FAN CONTROL

IMPORTANT: Ceiling fan blades **MUST** be installed before high speed conditioning can begin.

NOTE: If using a 3-way switch installation, ensure that both wall controls are using the same switch code.

10.1

Turn the wall switch ON/OFF switch to the "OFF" position.

Restore electricity to the ceiling fan branch circuit at the circuit breaker or fuse box

Flip the wall control's ON/OFF switch to "ON" position.

Within one minute of flipping the switch to "ON", push and hold the FAN OFF button (Ⓞ) for 3 to 5 seconds to set the code in the receiver. The ceiling fan lights (if installed) will blink to indicate the wall control code has been paired with the receiver.

IMPORTANT: Immediately after successful pairing, the ceiling fan will automatically begin high speed conditioning of the motor. During conditioning, the electronic motor control software is calculating speeds for the 2nd through 5th speed settings based on the blades that were installed on the fan.

The fan will run for approximately 1 minute in the upward direction then reverse direction to down flow and run an additional 1 minute. When conditioning is complete, the fan will come to complete stop.

IMPORTANT: Do not interrupt the conditioning until the fan comes to a complete stop in approximately 3 minutes. All functions of the control will be rejected during conditioning.

High speed conditioning is now complete.

10.2

If programming is unsuccessful, retry the previous instructions after cycling the wall control ON/OFF switch to restart the 1 minute programming time period.

If still unsuccessful, shut off the electricity at the fuse box or breaker panel and change the wall control frequency (Section 9.3, Page 22).

After changing the frequency settings, repeat instructions in Section 10.1 within one minute of restoring the electricity.

11. Using Your Ceiling Fan

⚠ WARNING

Fan installation must be completed, including the installation of the fan blades, before testing the wall control.

Your wall control has full control of your fan and light (Figure 47).

NOTE: Prior to operation of the fan and light from the wall control, set the fan speed to HIGH (---) and turn the light ON (⏻).

11.1

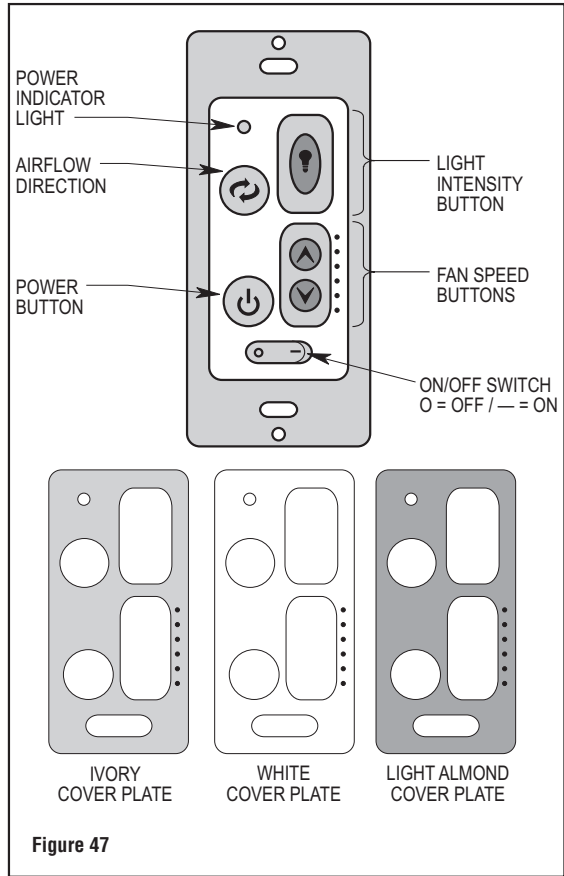
To set the desired fan speed, press the (⏻) button to decrease the speed and the (⏹) to increase the speed. The LED display will light up to indicate the new speed selected.

To turn the light on and off, press and release the LIGHT (⏻) button. To set the light intensity, press and hold the LIGHT (⏻) button. The light will turn on at the light intensity previously selected (Figure 47).

If airflow is desired in the opposite direction, press the (↻) button on the wall control. The fan must be operating at any speed for the reverse button to function. The blades will turn in the opposite direction and reverse the airflow.

Your wall control comes complete with your choice of three wall cover plates; ivory, white and light almond (Figure 47).

Your fan is now wired to be turned on and off from the fan switch.



12. Maintenance

IMPORTANT CARE INSTRUCTIONS for your Ceiling Fan

Periodic cleaning of your new ceiling fan is the only maintenance that is needed.

When cleaning, use only a soft brush or lint free cloth to avoid scratching the finish.

Abrasive cleaning agents are not required and should be avoided to prevent damage to finish.

WARNING

Do not use water when cleaning your ceiling fan. It could damage the motor or the blades and create the possibility of an electrical shock.

13. Accessories

See your local Emerson dealer, www.emersonfans.com or the Emerson Ceiling Fan catalog for these accessories:

- Ceiling Fan Controls
- Downrod Extension Kits

WARNING

The use of any other control not specifically approved for this fan could result in fire, shock and personal injury.

WARNING

This product is designed to use only those parts supplied with this product and/or any accessories designated specifically for use with this product by Emerson Electric Co. Substitution of parts or accessories not designated for use with this product by Emerson Electric Co. could result in personal injury or property damage.

14. Energy Efficient Use of Ceiling Fans

Ceiling fan performance and energy savings rely heavily on the proper installation and use of the ceiling fan. Here are a few tips to ensure quality and product performance.

Choosing the Appropriate Mounting Location. Ceiling fans should be installed, or mounted, in the middle of the room and at least 2.1 m above the floor and 46 cm from the walls. If ceiling height allows, install the fan 2.5 m - 2.75 m above the floor for optimal airflow. Consult your Emerson Retailer for optional mounting accessories.

Using the Ceiling Fan Year Round. In the summer, use the ceiling fan in the counter-clockwise direction. The airflow produced by the ceiling fan creates a wind-chill effect, making you "feel" cooler. Select a fan speed that provides a comfortable breeze, lower speeds consume less energy. In the winter, reverse the motor and operate the ceiling fan at low speed in the clockwise direction. This produces a gentle updraft, which forces warm air near the ceiling down into the occupied space. Remember to adjust your thermostat when using your ceiling fan - additional energy and dollar savings could be realized with this simple step!

Turn Off When Not in the Room. Ceiling fans cool people, not rooms. If the room is unoccupied, turn off the ceiling fan to save energy.

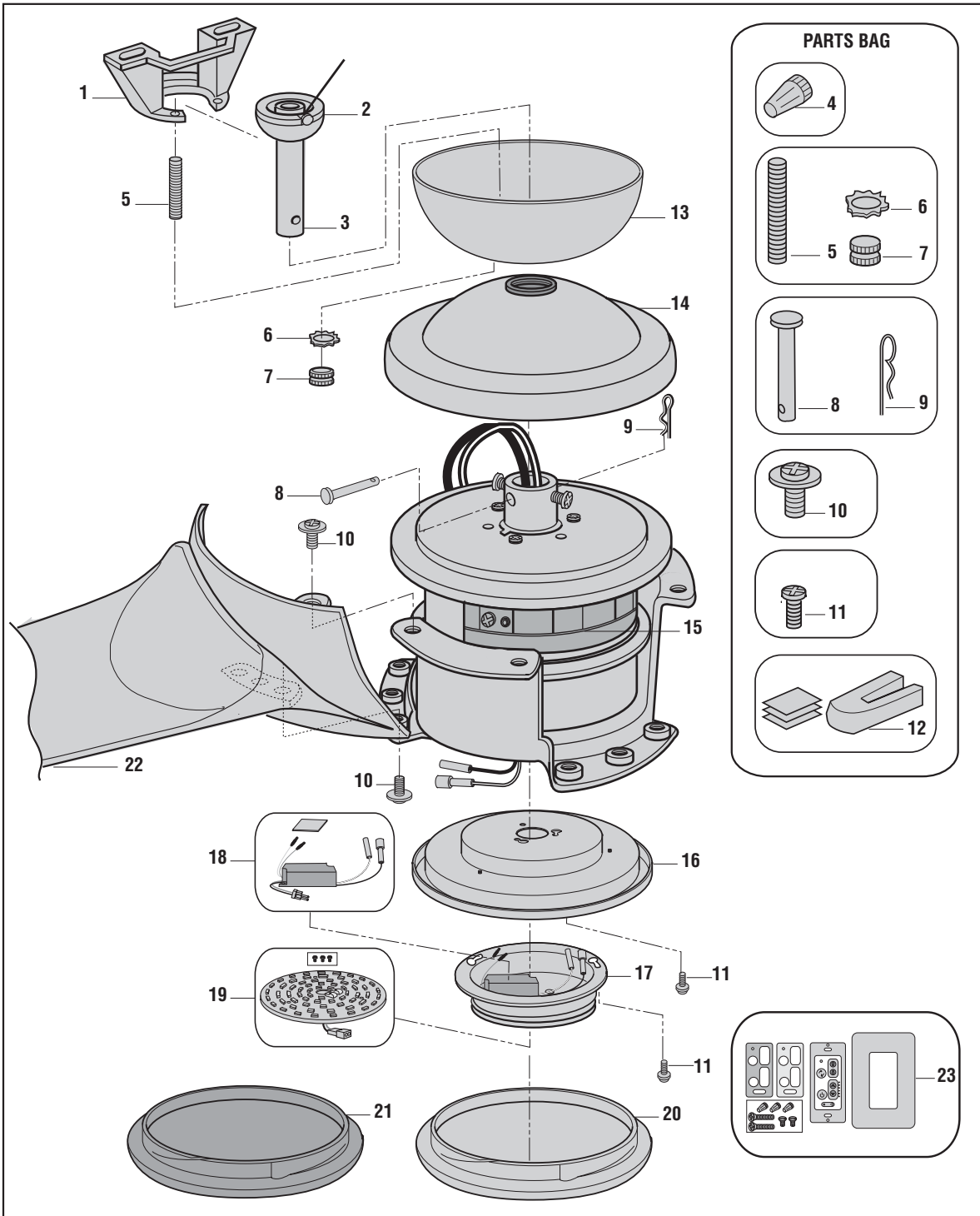
15. Troubleshooting

▲ WARNING

FOR YOUR OWN SAFETY TURN OFF POWER AT FUSE BOX OR CIRCUIT BREAKER BEFORE TROUBLESHOOTING YOUR FAN.

TROUBLE	PROBABLE CAUSE	SUGGESTED REMEDY
1. Fan will not start.	1. Loose electrical connections in the ceiling cover.	1. Check the electrical connections at the ceiling cover. ▲ WARNING Make sure main power is turned OFF.
2. Fan sounds noisy.	1. Blades not attached to fan. 2. Wire connectors inside switch housing assembly are rattling. 3. Screws holding blades to motor are loose.	1. Attach blades to fan before operating. 2. Check to make sure wire connectors in switch housing assembly are not rattling against each other or against the interior wall of the switch housing assembly. ▲ WARNING Make sure main power is turned OFF. 3. Tighten screws securely.
3. Fan wobbles excessively.	1. Setscrews in motor coupler are loose. 2. Setscrew in hanger ball/downrod assembly is loose. 3. Screws securing fan blades to motor are loose. 4. Hanger bracket and/or ceiling outlet box is not securely fastened.	1. Tighten both setscrews securely in the motor coupler. 2. Tighten the setscrew in the hanger ball/downrod assembly. 3. Check to be sure screws which attach the fan blades to the motor are tight. 4. Tighten the hanger bracket screws to the outlet box, and/or secure outlet box.

16. Repair Parts



16. Repair Parts Listing

Key No.	Description	Model Numbers		
		CF860BQ00	CF860PT00	CF860WW00
*	Hanger Ball Assembly, Consisting of:	761655- 19	761655-101	761655-0
1	Hanger Bracket (1)	—	—	—
2	Hanger Ball (1)	—	—	—
3	4.5" Downrod (1)	—	—	—
*	Parts Bag Containing:	764748-BLOX	764748-CHRM	764748-CRM
4	Wire Connectors (5)	—	—	—
5	Studs, Threaded, #8-32 x 1-1/4" (2)	—	—	—
6	Lockwashers, External Tooth, #8 (2)	—	—	—
7	Knobs, Knurled, #8-32 (2)	—	—	—
8	Pin, Clevis (1)	—	—	—
9	Clip, Hairpin (1)	—	—	—
10	Washer Head Screw, #8-32 x .50" (16)	—	—	—
11	Pan Head Screw, #6-32 x .375" (Spares) (2)	—	—	—
12	Blade Balancing Kit (1)	—	—	—
13	Ceiling Cover (1)	764733-BQ	764733-PT	764733-WW
14	Motor Coupler Cover (1)	764734-BQ	764734-PT	764734-WW
15	DC Motor Controller (1)	764779	764779	764779
16	Light Kit Adapter (1)	764739-BQ	764739-PT	764739-WW
17	Light Kit Assembly (1)	764740	764740	764740
18	Driver Assembly (1)	764776	764776	764776
19	Array Assembly (1)	764742	764742	764742
20	Shade (1)	764747	764747	764747
21	No-Light Plate (1)	764745-BQ	764745-PT	764745-WW
22	Fan Blades (Matched Set of 3)	764737-BQ	764737-PT	764737-WW
23	Wall Control (1)	SW605	SW605	SW605
—	Owner's Manual	BP7515	BP7515	BP7515

Before discarding packaging material, be certain all parts have been removed.

HOW TO ORDER REPAIR PARTS

WHEN ORDERING REPAIR PARTS, ALWAYS GIVE THE FOLLOWING INFORMATION:

- PART NUMBER • NAME OF ITEM
- PART DESCRIPTION • MODEL NUMBER

The model number of your Fan will be found on a label attached to the top housing.

For repair parts, phone 1-800-654-3545.

INSTRUCTION TO THE USER (if device contains a digital device)

This equipment has been tested and found to comply with the limits for a class B digital device, pursuant to part 15 of the FCC Rules. These limits are designed to provide reasonable protection against harmful interference in a residential installation. This equipment generates, uses and can radiate radio frequency energy and if not installed and used in accordance with the instructions, may cause harmful interference to radio communications. However, there is no guarantee that interference will not occur in a particular installation. If this equipment does cause harmful interference to radio or television reception, which can be determined by turning the equipment off and on, the user is encouraged to try to correct the interference by one or more of the following measures:

- Reorient or relocate the receiving antenna.
- Increase the separation between the equipment and receiver.
- Connect the equipment into an outlet on a circuit different from that to which the receiver is connected.
- Consult the dealer or an experienced radio/TV technician for help.

This equipment has been certified to comply with the limits for a class B computing device, pursuant to FCC Rules. In order to maintain compliance with FCC regulations, shielded cables must be used with this equipment. Operation with non-approved equipment or unshielded cables is likely to result in interference to radio and TV reception. The user is cautioned that changes and modifications made to the equipment without the approval of manufacturer could void the user's authority to operate this equipment.

This Class B digital apparatus meets all requirements of the Canadian Interference-Causing Equipment Regulations.

Emerson Air Comfort Ceiling Fan Limited Warranty

What The Limited Warranty Covers:

This limited warranty is offered by Air Comfort Products division of Emerson Electric Co. ("Emerson" "we" or "us") located at the address stated below to the original retail purchaser ("you" or "your") of an Emerson Air Comfort Ceiling Fan product ("**Emerson Ceiling Fan**") and covers the motor and the other components and accessories of the Emerson Ceiling Fan against all defects in workmanship and materials.

What The Period Of Coverage Is:

This limited warranty will cover the Emerson Ceiling Fan motor for the expected lifetime of your Emerson Ceiling Fan (when operated in accordance with your Owner's Manual or other instructions provided by Emerson to you with the Emerson Ceiling Fan). LED drivers are covered for a period of three (3) years, and any LED array is covered for a period of five (5) years. All other components and accessories of the Emerson Ceiling Fan are covered by this limited warranty for a period of one (1) year. All warranty periods begin on the date of original retail purchase. ANY IMPLIED WARRANTY, INCLUDING WITHOUT LIMITATION, ANY IMPLIED WARRANTY OF MERCHANTABILITY OR FITNESS FOR A PARTICULAR PURPOSE THAT IS AVAILABLE TO YOU UNDER THE LAWS OF YOUR STATE OR PROVINCE SHALL COVER THE MOTOR FOR THE EXPECTED LIFETIME OF THE MOTOR (SUBJECT TO PROPER USE), AND FOR ONE YEAR WITH RESPECT TO COMPONENTS AND ACCESSORIES.

No Other Express or Implied Warranty Applies:

THE LIMITED WARRANTIES PROVIDED ABOVE ARE THE SOLE AND EXCLUSIVE WARRANTIES PROVIDED BY EMERSON TO YOU FOR YOUR EMERSON CEILING FAN, AND ARE IN LIEU OF ALL OTHER WARRANTIES, WRITTEN OR ORAL, EXPRESS OR IMPLIED, WHETHER ARISING BY OPERATION OF LAW OR OTHERWISE, WHETHER OR NOT THE PURPOSE HAS BEEN DISCLOSED AND WHETHER OR NOT THE EMERSON CEILING FAN HAS BEEN SPECIFICALLY DESIGNED OR MANUFACTURED FOR YOUR USE OR PURPOSE. EMERSON HEREBY DISCLAIMS ANY AND ALL IMPLIED WARRANTIES, INCLUDING WITHOUT LIMITATION, IMPLIED WARRANTIES OF MERCHANTABILITY OR FITNESS FOR A PARTICULAR PURPOSE FOR COMPONENTS AND ACCESSORIES AS OF THE EXPIRATION OF THE ONE YEAR WARRANTY PERIOD FOR SUCH COMPONENTS AND ACCESSORIES. IMPLIED WARRANTIES OF MERCHANTABILITY OR FITNESS FOR A PARTICULAR PURPOSE FOR THE MOTOR PORTION OF THE EMERSON CEILING FAN ARE LIKewise DISCLAIMED BY EMERSON AT SUCH TIME THAT THE EXPECTED LIFETIME OF THE EMERSON CEILING FAN UNDER NORMAL USAGE HAS BEEN REACHED. EXCLUSIONS OR LIMITATIONS OF IMPLIED WARRANTIES MAY VARY FROM STATE TO STATE AND PROVINCE TO PROVINCE SO THE ABOVE LIMITATIONS MAY NOT APPLY TO YOU.

What We Will Do To Correct Problems:

If during the one (1) year warranty period the motor or any component or accessory of your Emerson Ceiling Fan is defective in materials or workmanship, or if during the expected lifetime of the Emerson Ceiling Fan (when used in accordance with the User Manual or other instructions) the motor is defective in materials or workmanship, you must contact Emerson during the applicable warranty period. If the defect is covered by warranty, Emerson will repair or replace the defective motor, component or other accessory at no charge to you. If repair of the motor, component or accessory is not practical or possible within a reasonable time and no replacement Emerson Ceiling Fan can be provided, Emerson will refund to you the actual purchase price of your Emerson Ceiling Fan. We will ship the repaired or the replacement Emerson Ceiling Fan to you at no charge, but you are responsible for all costs of removal and reinstallation of your Emerson Ceiling Fan.

How You Can Receive Warranty Service:

You must be the original retail purchaser and have proof of your purchase of the Emerson Ceiling Fan to obtain your remedy under this limited warranty. You can return your Emerson Ceiling Fan to your place of purchase, or you can call Emerson Customer Service at 1-800-237-6511 to obtain a return authorization and service identification tag. In order for us to confirm that your Emerson Ceiling Fan is still under warranty, please retain your receipt or other proof of purchase and have that information readily available when returning your Emerson Ceiling Fan to your place of purchase, or upon calling Emerson Customer Service. If you call Emerson Customer Service, prior to your call please be prepared to provide all model numbers shown on your Emerson Ceiling Fan. Once we have processed your return authorization request, we will provide you with a postage paid return label which should be affixed to the Emerson Ceiling Fan package you ship to the address listed at the end of this limited warranty. The return label will be sent to the mailing address you provide to us by phone.

What Is Not Covered:

This limited warranty does not extend to and expressly excludes:

- The glass globes and light bulbs of your Emerson Ceiling Fan,
- Loss or damage to the motor or any component or accessory caused by normal wear and tear, rather than due to defects in materials or workmanship,
- Loss or damage resulting from conditions beyond our reasonable control, including without limitation, repairs not made at our factory or authorized service center, use of parts or accessories not provided to you as part of this warranty by our factory or authorized service center, mishandling, unreasonable use, misuse, abuse, modifications or other damage caused by you or a third party to your Emerson Ceiling Fan while not in our possession,
- Loss or damage resulting from improper installation, or other failure to comply with instructions in your Owner's Manual.

This limited warranty is deemed null and void upon the occurrence of either of the following events:

- You cease to own the Emerson Ceiling Fan product, or
- The Emerson Ceiling Fan is moved from its original point of installation.

This limited warranty is only valid within the 50 United States, the District of Columbia, and Canada. No other written or oral warranties apply, and no employee, agent, dealer or other person is authorized to give any warranties on behalf of Air Comfort Products or Emerson Electric Co.

Limitation of Liability

REPAIR, REPLACEMENT OR A REFUND ARE THE EXCLUSIVE REMEDIES AVAILABLE TO YOU UNDER THIS LIMITED WARRANTY. TO THE EXTENT PERMITTED BY LAW, IN NO EVENT SHALL EMERSON OR ANY EMERSON AUTHORIZED DEALER BE LIABLE FOR ANY INCIDENTAL, SPECIAL, INDIRECT, OR CONSEQUENTIAL DAMAGES, INCLUDING ANY ECONOMIC LOSS, WHETHER RESULTING FROM NONPERFORMANCE, USE, MISUSE OR INABILITY TO USE THE EMERSON CEILING FAN OR FOR THE NEGLIGENCE OF EMERSON OR AN EMERSON AUTHORIZED DEALER. EMERSON SHALL NOT BE LIABLE FOR DAMAGES CAUSED BY DELAY IN PERFORMANCE AND IN NO EVENT, REGARDLESS OF THE FORM OF THE CLAIM OR CAUSE OF ACTION (WHETHER BASED IN CONTRACT, INFRINGEMENT, NEGLIGENCE, STRICT LIABILITY, OTHER TORT OR OTHERWISE), SHALL EMERSON'S OR ANY EMERSON AUTHORIZED AGENT'S LIABILITY TO YOU OR ANY INDIVIDUAL USING THE EMERSON CEILING FAN EXCEED THE PRICE PAID BY THE ORIGINAL OWNER FOR THE EMERSON CEILING FAN. The term "consequential damages" shall include, but not be limited to, loss of anticipated profits, business interruption, loss of use or revenue, cost of capital or loss or damage to property or equipment.

How State and Provincial Law Relates To The Warranty:

Some states and provinces do not allow the exclusion or limitation of incidental or consequential damages so the above exclusion or limitation may not apply to you. This limited warranty gives you specific legal rights, and you may also have other rights which vary from state to state or province to province.

emersonfans.com

Please contact 1-800-654-3545 for further assistance
ETL Model No.: CF860

SERIAL NUMBER: _____ **DATE CODE:** _____

The serial number of this fan can be found on the nameplate on top of the fan housing. The date code can be found on the carton, stamped in ink on a white label. You should record this data above and keep it in a safe place for future use.



EMERSONTM

Air Comfort Products

DIVISION OF EMERSON ELECTRIC CO.
8100 W. Florissant • St. Louis, MO 63136

Questions, problems, missing parts: Before returning to the store call
Emerson Electric Customer Service
8 a.m. - 6 p.m., Eastern, Monday-Friday

1-800-654-3545

www.emersonfans.com

Retain this manual for future use.