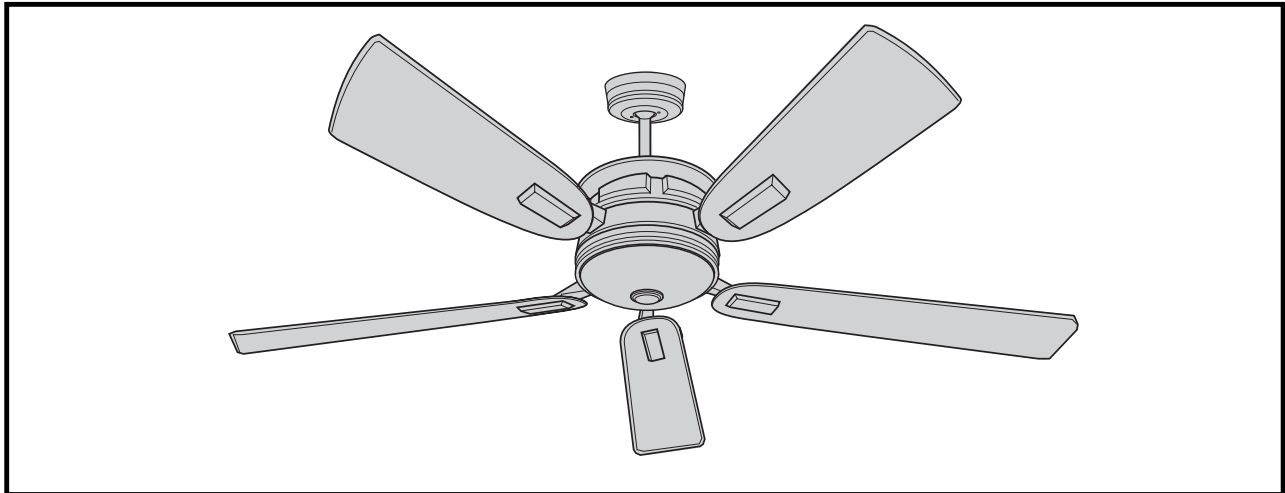


READ AND SAVE THESE INSTRUCTIONS



EMERSON™



HIGHGROVE™

52" Ceiling Fan Owner's Manual

Model Numbers

CF990BS00 - Brushed Steel

CF990VNB00 - Venetian Bronze

Net Weight: **27.5** Lbs.

Questions, problems, missing parts: Before returning to the store call
Emerson Electric Customer Service
8 a.m. - 6 p.m., EST, Monday-Friday

1-800-654-3545

www.emersonfans.com

Part No. F40BP74640000
Revision: 130701

Form No. BP7464
ETL Model No.: CF990

READ AND SAVE THESE INSTRUCTIONS

Safety Instructions

WARNING

TO REDUCE THE RISK OF FIRE, ELECTRICAL SHOCK, OR INJURY TO PERSONS, OBSERVE THE FOLLOWING:

- a. Use this unit only in a manner intended by the manufacturer. If you have questions, contact the manufacturer.
 - b. Before servicing or cleaning unit, switch power off at service panel and lock service panel disconnecting means to prevent power from being switched on accidentally. When the service disconnecting means cannot be locked, securely fasten a warning device, such as a tag, to the service panel.
1. Read your owner's manual carefully and keep it for future reference.
 2. Be careful of the fan and blades when cleaning, painting, or working near the fan. Always turn off the power to the ceiling fan before servicing.
 3. Do not put anything into the fan blades while they are turning.
 4. Do not operate reversing switch until fan blades have come to a complete stop.

Additional Safety Instructions for Installation

1. To avoid possible shock, be sure electricity is turned off at the fuse box before wiring, and do not operate fan without blades.
2. All wiring must be in accordance with the National Electrical Code "ANSI/NFPA 70-2011" and Local Electrical Codes. Use the National Electrical Code if Local Codes do not exist. The ceiling fan must be grounded as a precaution against possible electrical shock. Electrical installation should be made or approved by a licensed electrician.

3. The outlet box and joist must be securely mounted and capable of reliably supporting at least 50 pounds. Use only U.L. outlet boxes listed as "Acceptable for Fan Support of 15.9kg. (35 lbs.) or less", and use the mounting screws provided with the outlet box. Most outlet boxes commonly used for support of light fixtures are not acceptable for fan support and may need to be replaced. Consult a qualified electrician if in doubt.
4. The downrod furnished with the fan provides the minimum recommended floor to fan blade clearance for an 8 foot ceiling.
5. The fan must be mounted with the fan blades at least 7 feet from the floor to prevent accidental contact with the fan blades.
6. Follow the recommended instructions for the proper method of wiring your ceiling fan. If you do not know enough about electrical wiring, have your fan installed by a licensed electrician.

WARNING: To reduce the risk of electrical shock, this fan must be installed with an isolating wall control/switch.

NOTE: This fan is suitable for use with solid-state speed controls.

WARNING: This product is designed to use only those parts supplied with this product and/or any accessories designated specifically for use this product by Emerson Electric Co. Substitution of parts or accessories not designated for use with this product by Emerson could result in personal injury or property damage.

WARNING: To reduce the risk of personal injury, do not bend the blade flange when installing the blade flanges, balancing the blades or cleaning the fan. Do not insert foreign objects in between rotating fan blades.

NOTE: All setscrews must be checked and re-tightened where necessary before installation.

DATE CODE: _____

The date code of this fan may be found on the box, stamped in ink on a white label. You should record this data above and keep it in a safe place for future use.

Unpacking Instructions

⚠ WARNING

Do not install or use fan if any part is damaged or missing. Call Toll-Free:

1-800-654-3545

⚠ WARNING

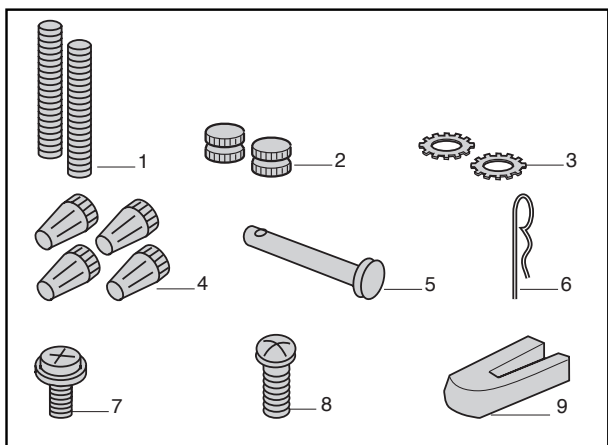
This product is designed to use only those parts supplied with this product and/or any accessories designated specifically for use with this product by Emerson Electric Co. Substitution of parts or accessories not designated for use with this product by Emerson Electric Co. could result in personal injury or property damage.

1. Check to see that you have received the following parts:

NOTE: If you are uncertain of part description, refer to exploded view illustration.

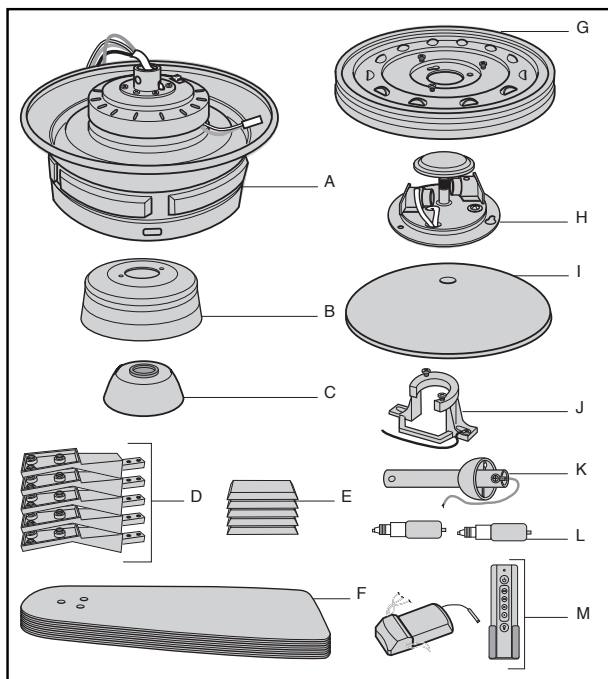
HARDWARE CONTENTS

Part	Description	Quantity
1	Threaded Studs, #8-32 x 1-1/4"	2
2	Knurled Knobs, #8-32	2
3	Lockwashers, External Tooth #8	2
4	Wire Connectors, 12 ga.	4
5	Clevis Pin	1
6	Hairpin Clip	1
7	#10-32 x 7/16" Washer Head Blade Screws	16
8	1/4 x 9/16" Round Head Lock Tie Flange Screws	11
9	Blade Balance Kit	1



PACKAGE CONTENTS

Part	Description	Quantity
A	Fan Motor Assembly	1
B	Ceiling Canopy	1
C	Coupler Cover	1
D	Blade Flanges	5
E	Fan Blades	5
F	Blade Medallions	5
G	Lower Housing	1
H	Light Kit Assembly/Finial Nut	1
I	Lower Glass	1
J	Hanger Bracket	1
K	Hanger Ball/4.5" Downrod Assembly	1
L	50-Watt Mini Candelabra Halogen Light Bulbs	2
M	Receiver & 4-Speed Hand Control	1



NOTE: Place the parts from the loose parts bags in a small container to keep them from being lost. If any parts are missing, contact your local retailer or catalog outlet for replacement before proceeding.

2. Remove the fan assembly from the protective plastic bag. Place the fan assembly into the upper foam pad with the top of the motor facing up.

The upper foam pad serves as a holder for the fan during the first stages of assembly.

emersonfans.com

Please contact 1-800-654-3545 for further assistance

ETL Model No.: CF990

This Manual Is Designed to Make it as Easy as Possible for You to Assemble, Install, Operate and Maintain Your Ceiling Fan

Tools Needed for Assembly

One Phillips head screwdriver	One stepladder
One 1/4" blade screwdriver	One wire stripper

<u>Installed Wire Length</u>	<u>Wire Size A.W.G.</u>
Up to 50 ft.	14
50-100 ft.	12

Materials

Wiring outlet box and box connectors must be of type required by the local code. The minimum wire would be a 3-conductor (2-wire with ground) of following size:

! WARNING

Before assembly your ceiling fan, refer to section on proper method of wiring your fan (page 10). If you feel you do not have enough wiring knowledge or experience, have your fan installed by a licensed electrician.

Ceiling Fan Assembly

! WARNING

Turning off wall switch is not sufficient. To avoid possible electrical shock, be sure electricity is turned off at the main fuse box before wiring. All wiring must be in accordance with National and Local codes and the ceiling fan must be properly grounded as a precaution against possible electrical shock.

1. Remove the hanger ball by loosening the setscrew in the hanger ball until the ball falls freely down the downrod (Figure 1). Remove the pin from the downrod, then remove the hanger ball. Retain the pin and hanger ball for reinstallation in Step 5.
2. Loosen setscrew in motor coupling if necessary. Separate, untwist and unkink the four 80" motor leads. Route the motor lead wires through the downrod. Align the clevis pin holes in the downrod with the holes in the motor coupling. Install the clevis pin and secure with the hairpin clip (Figure 2). The clevis pin must go through the holes in the motor coupling and the holes in the downrod. Be sure to push the straight leg of the hairpin clip through the hole near the end of the clevis pin until the curved portion of the hairpin clip snaps around the clevis pin. The hairpin clip must be properly installed to prevent the clevis pin from working loose. Pull on the downrod to make sure the clevis pin is properly installed.

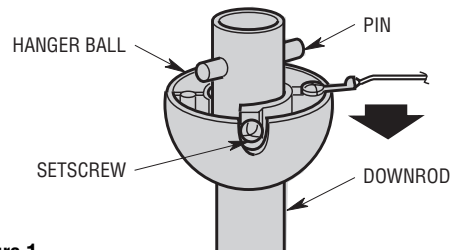


Figure 1

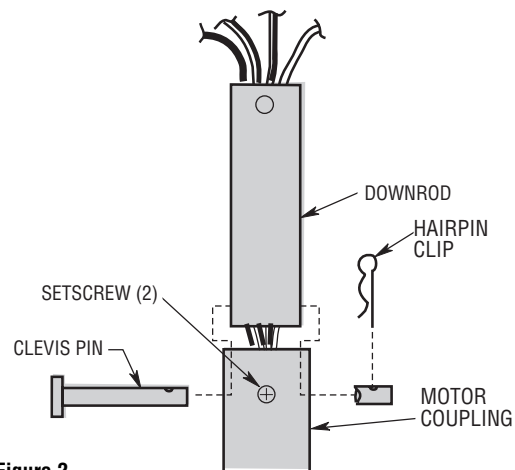


Figure 2

! WARNING

It is critical that the clevis pin in the motor coupler is properly installed and the setscrew securely tightened. Failure to verify that the pin and setscrew are properly installed could result in the fan falling.

Ceiling Fan Assembly (continued)

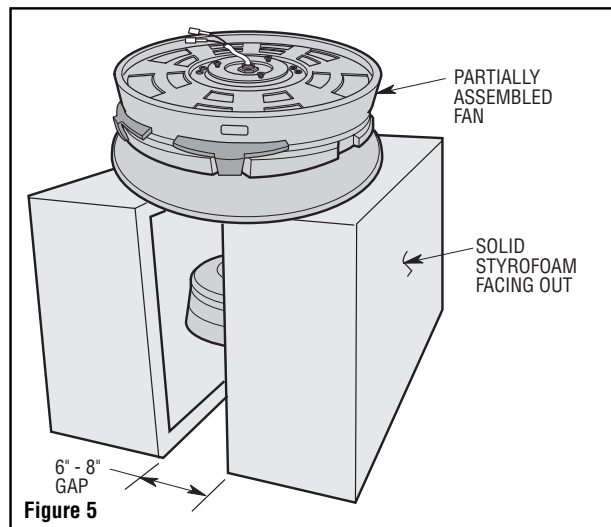
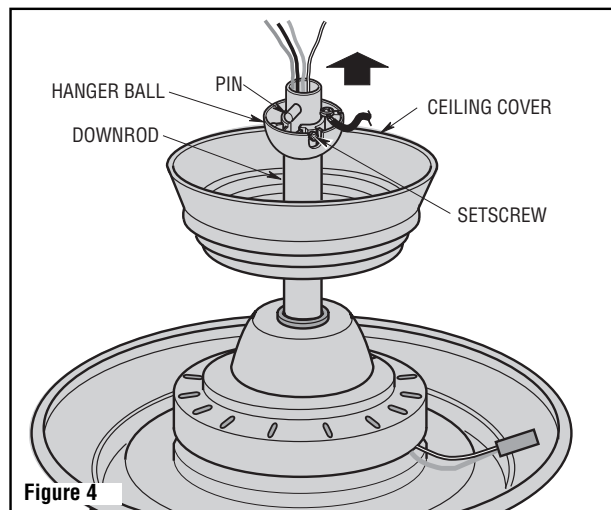
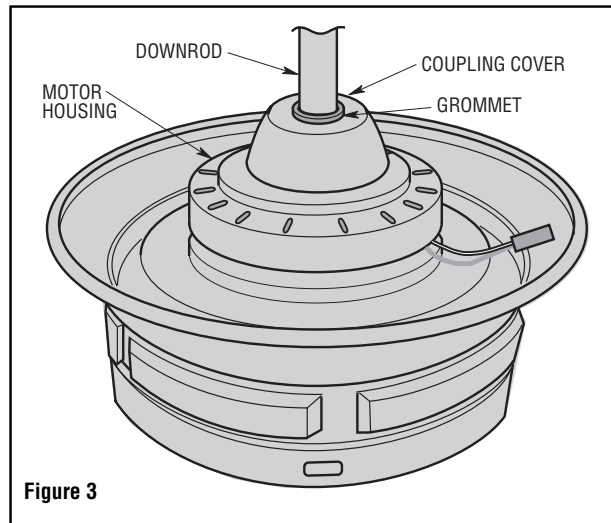
3. While pulling up on the downrod, securely tighten the two setscrews in the motor coupling (Figure 2).

NOTE: The setscrews must be properly installed as described above, or fan wobble could result.

WARNING

It is critical that the pin in the hanger ball is properly installed and the setscrew securely tightened. Failure to verify that the pin and setscrew are properly installed could result in the fan falling.

4. Make sure the grommet is properly installed in the coupling cover then slide the coupling cover on the downrod until it rests on the motor housing (Figure 3).
5. Place the ceiling cover over the downrod. Be sure both the ceiling cover and the coupler cover are oriented correctly (Figure 4).
6. Reinstall the hanger ball (Figure 4) on the downrod as follows. Route the motor leads through the downrod. Position the pin through the two holes in the downrod and align the ball so the pin is captured in the groove in the top of the hanger ball. Pull the hanger ball up tight against the pin and securely tighten the setscrew in the hanger ball. A loose setscrew could create fan wobble.
7. The fan comes with blue, yellow, black and white leads that are 80" long. Before installing fan, measure up approximately 6 to 9-inches above top of hanger ball/downrod assembly. Cut off excess leads and strip back insulation 1/2-inch from end of leads.
8. Turn fan motor assembly upside down in preparation for mounting fan blades. Position the top and bottom halves of the styrofoam packaging on end, with solid styrofoam facing outward. Set side-by-side on the floor with a six to eight-inch gap between the halves (Figure 5). Carefully place the partially assembled ceiling fan on the styrofoam halves, with the hanger ball/downrod assembly positioned in the gap and the fan motor assembly resting on top of the styrofoam ends.



emersonfans.com

Please contact 1-800-654-3545 for further assistance

ETL Model No.: CF990

Ceiling Fan Assembly (continued)

- Remove and discard the four rubber shipping retainers securing the motor hub in the motor housing assembly (Figure 6).
- Position one blade medallion onto the blade. Place the blade flange to the other side of the blade to secure the medallion and blade to the flange. Mount the medallion, fan blade, and blade flange using the three #10-32 x 7/16" washer head blade screws (Figure 7).
- Slide the blade assembly into the housing slot. Attach the blade assembly using two 1/4" x 9/16" round head lock tie flange screws. Attach the remaining four blades (Figure 8).

NOTE: Take care not to scratch fan housing when installing blades.

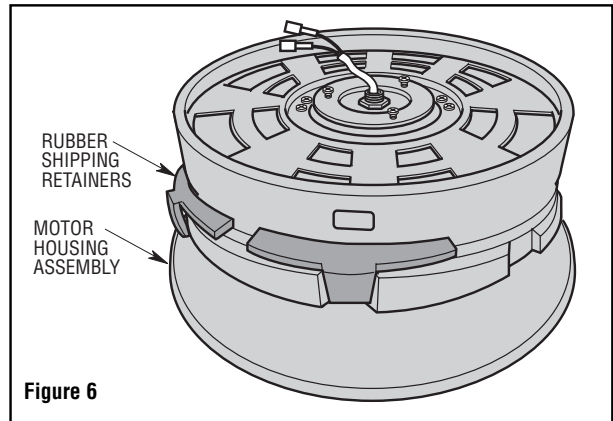


Figure 6

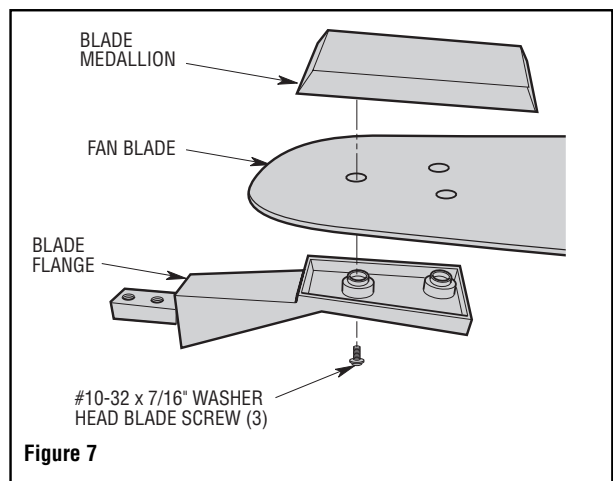


Figure 7

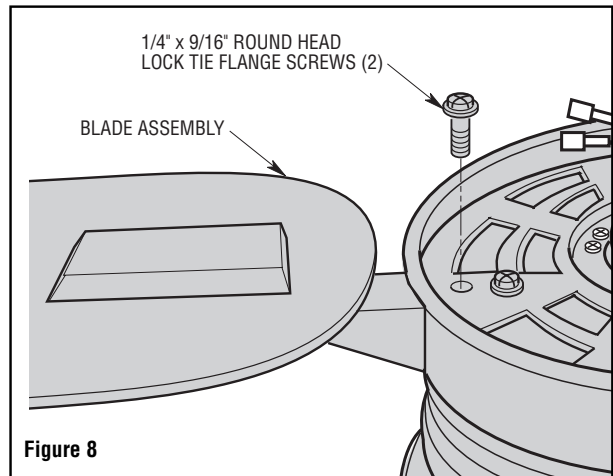


Figure 8

Ceiling Fan Assembly (continued)

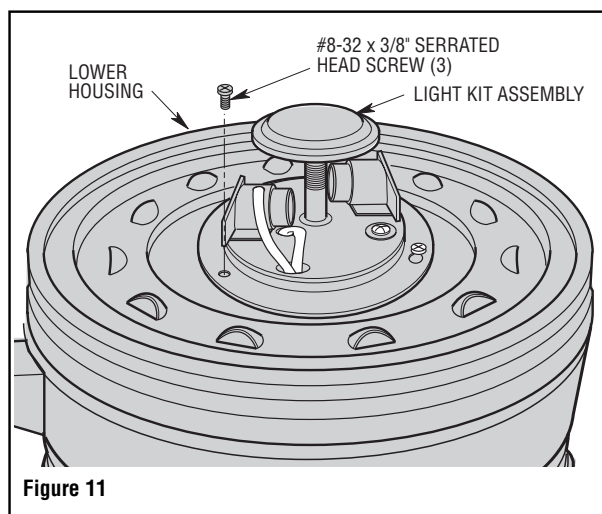
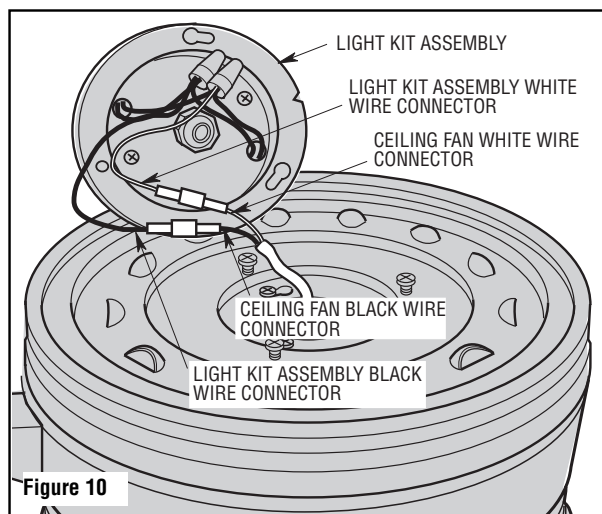
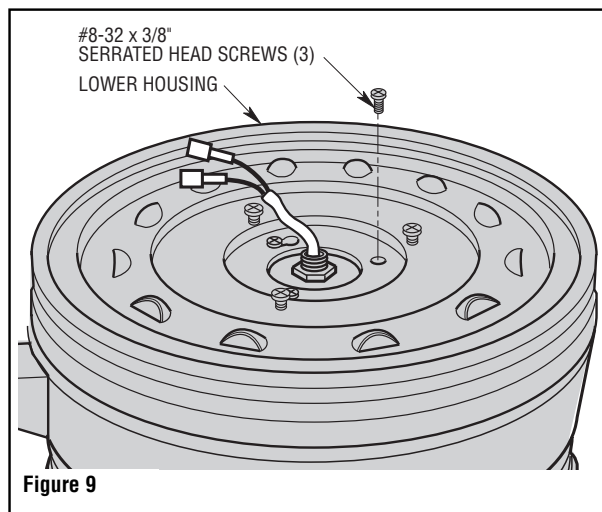
11. Remove one #8-32 x 3/8" serrated head screw from the fan motor housing (reserve for later use). Loosen the other two screws to assemble the lower housing to the fan motor housing (Figure 9).
12. Position the lower housing onto the fan motor assembly, aligning each of the three holes. Attach the lower housing to the fan motor assembly using the three #8-32 x 3/8" serrated head screws. Rotate the lower housing to securely tighten by engaging the screws in the two key hole slots (Figure 9).

NOTE: Make sure wires are not pinched between fan motor assembly and lower housing.

13. Attach the white wire connector from the ceiling fan to the white wire connector of the light kit assembly (Figure 10). Connect the black wire connector from the ceiling fan to the black wire connector of the light kit assembly.
14. Remove one of the one of the three screws in the lower housing and loosen the remaining two screws (Figure 11).

NOTE: Make sure all wires and connector are tucked under the light kit assembly and not pinched between light kit assembly and lower housing.

15. Position the light kit assembly onto the lower housing, aligning each of the three holes. Attach the light kit assembly to the lower housing, using three #8-32 x 3/8" serrated head screws. Rotate the light kit assembly to securely tighten by engaging the screws in the two key hole slots (Figure 11).



Electrical Requirements

Your new ceiling fan will require a grounded electrical supply line of 120 volts AC, 60 Hz, 15 amp circuit.

⚠ WARNING

To reduce the risk of fire, electric shock, or personal injury, mount fan to outlet box marked "Acceptable for Fan Support of 15.9kg. (35 lbs.) or less", and use screws supplied with outlet box. Most outlet boxes commonly used for support of light fixtures are not acceptable for fan support and may need to be replaced. Consult a qualified electrician if in doubt.

The outlet box must be securely anchored and capable of withstanding a load of at least 50 pounds.

If your fan is to replace an existing ceiling light fixture, turn electricity off at the main fuse box at this time and remove the existing light fixture.

⚠ WARNING

To avoid fire or shock, follow all wiring instructions carefully.

Any electrical work not described in these instructions should be done or approved by a licensed electrician.

How to Hang Your Ceiling Fan

⚠ WARNING

Turning off wall switch is not sufficient. To avoid possible electrical shock, be sure electricity is turned off at the main fuse box before wiring. All wiring must be in accordance with National and Local codes and the ceiling fan must be properly grounded as a precaution against possible electrical shock.

CAUTION: To reduce the risk of electrical shock, disconnect the electrical supply circuit before installing the fan, light kit or receiver.

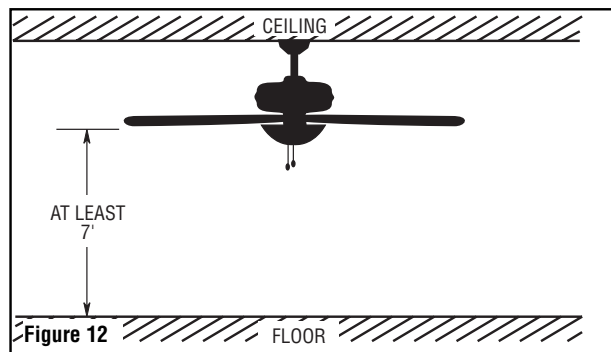


Figure 12

⚠ WARNING

The fan must be hung with at least 7' of clearance from floor to blades (Figure 12).

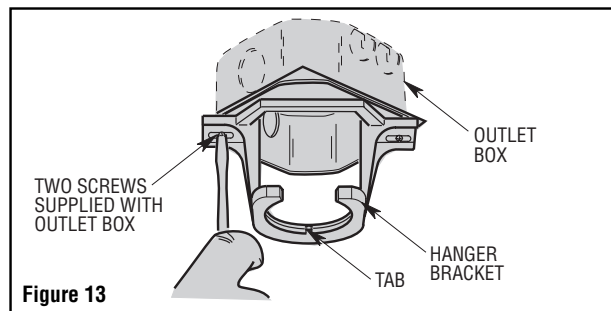


Figure 13

⚠ WARNING

The outlet box and joist must be securely mounted and capable of supporting at least 50 lbs. Use only a U.L. outlet box listed as "Acceptable for Fan Support of 15.9kg. (35 lbs.) or less".

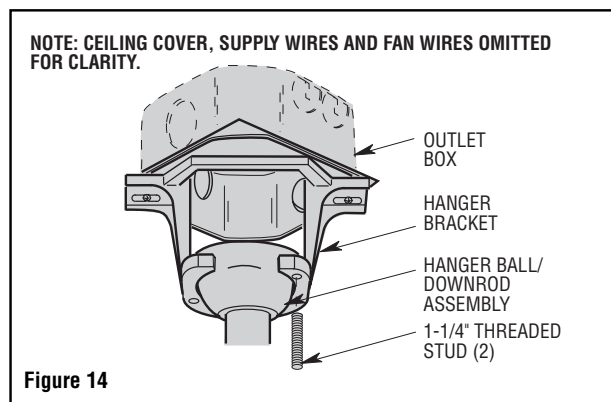


Figure 14

How to Hang Your Ceiling Fan (continued)

1. Disconnect electrical power to the branch circuit at the circuit breaker or fuse box before attempting to install the ceiling fan wall control into the outlet box.
2. Securely attach the hanger bracket to the outlet box using the two screws supplied with the outlet box. (Figure 13.)
3. Carefully lift the fan and seat the hanger ball/downrod assembly on the hanger bracket that was just attached to the outlet box (Figure 13). Be sure the groove in the ball is lined up with tab on the hanger bracket (Figure 14).

⚠ WARNING

Hanger bracket must seat firmly against outlet box. If the outlet box is recessed, remove wall board until bracket contacts box. If bracket and/or outlet box are not securely attached, the fan could wobble or fall.

⚠ WARNING

Failure to seat tab in groove could cause damage to electrical wires and possible shock or fire hazard.

⚠ WARNING

To avoid possible fire or shock, do not pinch wires between the hanger ball/downrod assembly and hanger bracket.

How to Wire Your Ceiling Fan

If you feel that you do not have enough electrical wiring knowledge or experience, have your fan installed by a licensed electrician.

⚠ WARNING

Turning off wall switch is not sufficient. To avoid possible electrical shock, be sure electricity is turned off at the main fuse box before wiring. All wiring must be in accordance with National and Local codes and the ceiling fan must be properly grounded as a precaution against possible electrical shock.

1. Disconnect electrical power to the branch circuit at the circuit breaker or fuse box before attempting to install the ceiling fan wall control into the outlet box.

CAUTION: To reduce the risk of electrical shock, disconnect the electrical supply circuit before installing the fan, light kit or receiver.

2. Position the supply wires to the left side of the outlet box (Figure 15); position the fan wires to the right side. Partially insert the remote control receiver (flat side up) until one end rests on the hanger ball as shown in Figure 15.

NOTE: Make all wiring connections using wire connectors (supplied). Make sure that all connections are tight, including ground, and that no bare wire is visible at the wire connectors, except for the ground wire.

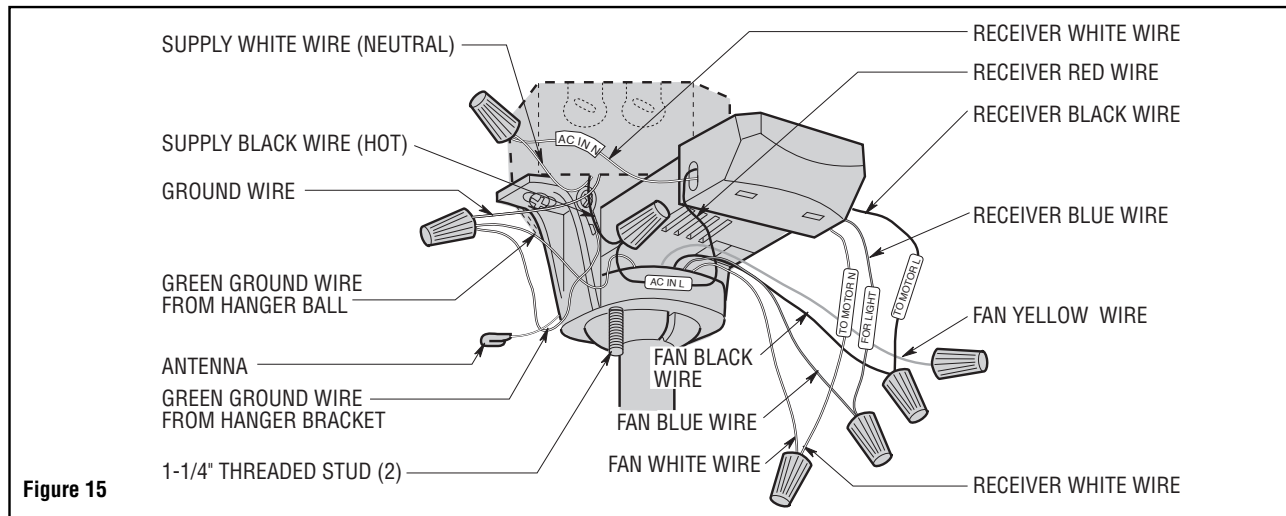


Figure 15

emersonfans.com

Please contact 1-800-654-3545 for further assistance

ETL Model No.: CF990

How to Wire Your Ceiling Fan (continued)

3. Refer to Figure 15 and 16 and connect the receiver wires to the supply wires and the fan motor wires as follows:

- a. Securely connect the green grounding wires from the hanger ball and the hanger bracket to the supply grounding conductor (this may be a bare wire or a wire with green insulation).
- b. Securely connect the supply white (neutral) wire to the receiver white (AC IN N) wire.
- c. Securely connect the supply black wire (hot) wire to the receiver black (AC IN L) wire.
- d. Securely connect the fan motor white wire to the receiver white (TO MOTOR N) wire.
- e. Securely connect the fan motor black wire to the receiver red (TO MOTOR L) wire.
- f. Securely connect the fan motor blue and yellow wires to the receiver blue (FOR LIGHT) wire.
- g. If installing the optional accessory AL100 accent light, follow the AL100 installation instructions.

WARNING

Check to see that all connections are tight, including ground, and that no bare wire is visible at the wire connectors, except for the ground wire. Do not operate fan until blades are in place. Noise and fan damage could result.

4. Push the wires and connectors up into the outlet box while inserting the receiver fully into the hanger bracket. Position the antenna wire on top of the receiver.
5. Screw the two threaded studs (supplied) into the tapped holes in the hanger bracket.
6. Lift the ceiling cover up to the threaded studs and turn until studs protrude through the holes in the ceiling cover (Figure 17).
7. Secure the ceiling cover in place by sliding lockwashers over the threaded studs and installing the two knurled knobs (supplied). (Figure 17). Tighten the knurled knobs securely until the ceiling cover fits snugly against the ceiling and the hole in the ceiling canopy is clear of the downrod. Your fan is now wired to be turned on and off from the wall switch.

WARNING

To avoid possible fire or shock, make sure that the electrical wires are completely inside the outlet box and not pinched between the ceiling cover and the ceiling.

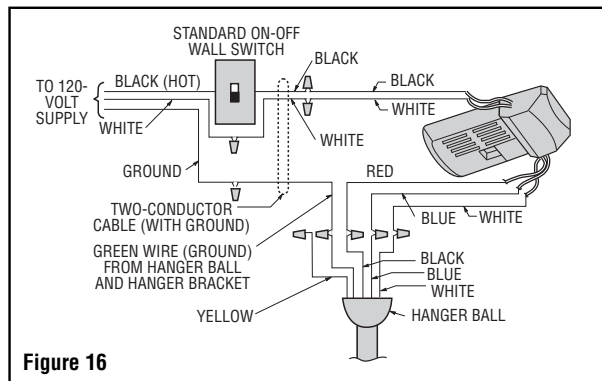


Figure 16

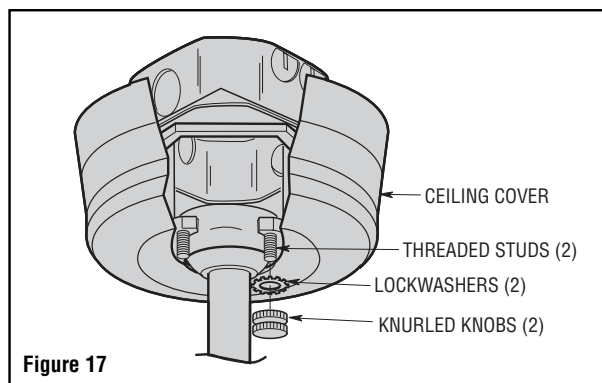


Figure 17

Installation of Lower Light Glass

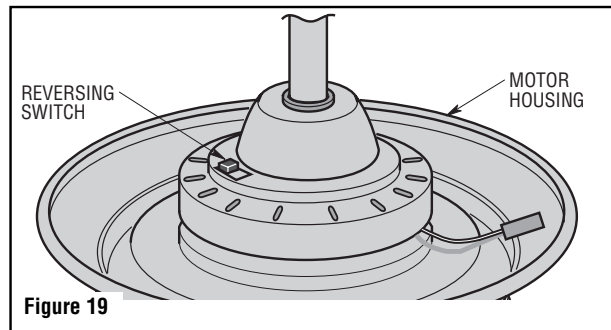
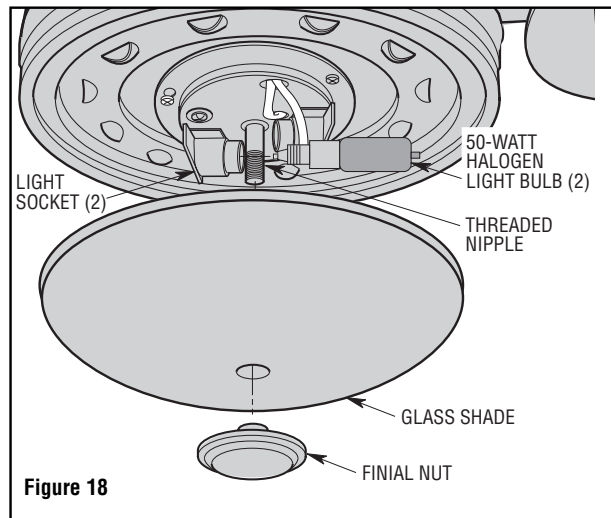
1. Screw two 50-watt (maximum) halogen mini candelabra base bulbs into the light kit assembly sockets (Figure 18).
2. Unscrew the finial nut from the light kit assembly threaded nipple (Figure 18).
3. Position the glass shade over the threaded nipple on the light kit assembly.
4. Reinstall the finial nut onto the threaded nipple.

NOTE: Periodically check that the glass bowl is seated correctly in the light kit assembly and the finial nut is securely fastened.

5. Assembly of the ceiling fan is now complete. Restore electrical power to the branch circuit at the fuse box or breaker panel.

WARNING

Turn off the lower light kit and allow the bulbs to cool for 10 minutes before relamping.



Remote Control Procedures

General

Your Emerson Ceiling Fan/Light Remote Control consists of hand-held transmitter and a receiver which is mounted under the fan ceiling cover. The remote control is designed to separately control your ceiling fan speed and light intensity. There are four push buttons (., .., ...,) to set the fan speed and turn the fan off. The light (Ⓞ) push button turns the light on and off and controls the light intensity. The blue indicator light will illuminate while any button is pressed, indicating that the battery is good.

The remote control transmitter is powered by two AAA alkaline batteries (not included). To prevent possible damage if the batteries should leak, be sure to remove the batteries when the control is not to be used for an extended period of time.

Code switches in the transmitter may be set in 32 different positions. If your fan and light go on and off without using your control, you may be getting interference from other remote units such as garage door openers, car alarms or security systems. To remedy this situations, simply change the combination code in your transmitter.

Preset Memory Feature

Your Emerson receiver is equipped with a preset memory feature. If the AC supply to the receiver is powered through a wall switch, when the switch is turned OFF, the control will remember the light intensity and fan speed. When the switch is turned back ON the light and fan will resume operation as they were prior to the switch being turned OFF.

Installation of Battery

1. Remove the battery cover by pressing firmly below the arrow and sliding the cover off the control (Figure 20).
2. Remove the connector from the battery compartment and install two AAA alkaline batteries.

Setting Operating Frequency of Transmitter

Your remote control transmitter has code switches which must be set in one of 32 possible code combinations. The five levers (numbered 1, 2, 3, 4, and 5) on the switches are factory-set in the ON (up) position. Do not use this setting. Change the switch settings as follows:

1. Slide the five switch levers in the remote control (transmitter) to your choice of ON (up) or down positions. Use a ball-point pen or small screwdriver and slide the levers firmly up or down.
2. The sixth switch marked ON and I is for dimming control of lights: Set switch to ON to allow for dimming of the lights. Set switch to I for no dimming of the lights such as for fluorescent bulbs.
3. Reinstall the transmitter battery cover.

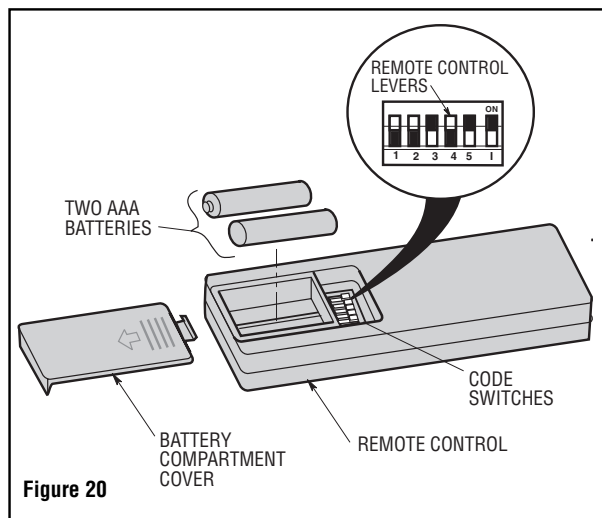


Figure 20

Programming The Receiver

1. Restore electrical power to the branch circuit at the circuit breaker or fuse panel.
2. Turn the wall switch "On".
3. Within 1 minute of restoring electricity, push and hold the "Off" (Ⓞ) button for 3-5 seconds to program the receiver with the transmitter code. If turned on, the fans lights will blink when the code is set.
4. Proceed to the next section to learn how to operate your ceiling fan.

Using Your Ceiling Fan

IMPORTANT

Fan installation must be completed, including the installation of the fan blades, before testing of the remote control.

Your remote control has full control of your fan and light (Figure 21).

1. To set the desired fan speed, press one of the four buttons (., .., ...,) to operate your fan from low to high speeds.
2. To turn the downlight on, press and release the (⏻) button. The light will turn on at the light intensity previously selected.
3. To vary the intensity of the light, hold the (⏻) button down until the desired light intensity is reached, then release the button.

Note: When turning the light on, light will turn on at the light intensity previously selected.

4. If airflow is desired in the opposite direction, turn the fan off and wait for the blades to stop turning. Then slide the reversing switch, located on top of the fan motor assembly, to the opposite position (Figure 19) and turn the fan on again. The blades will turn in the opposite direction and reverse the airflow.

Installation of Storage Bracket

A storage bracket is provided for holding your remote control when not in use (Figure 21). If you desire to use the bracket. Install it on a wall that is away from excess heat or humidity.

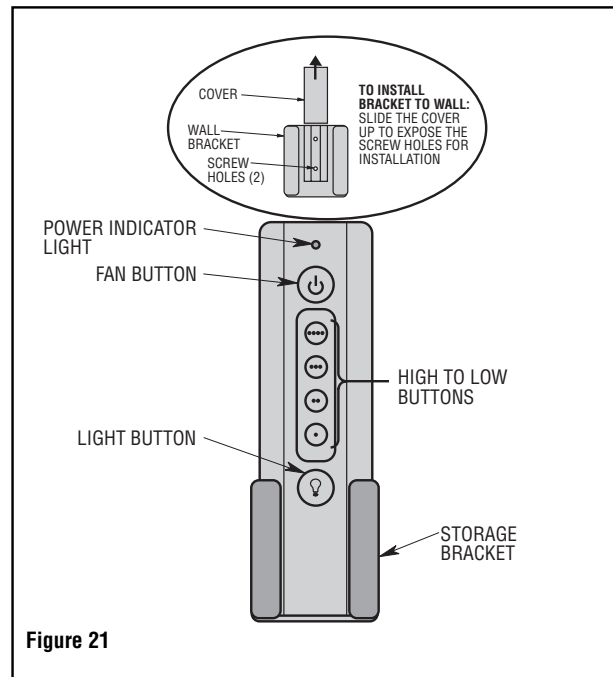
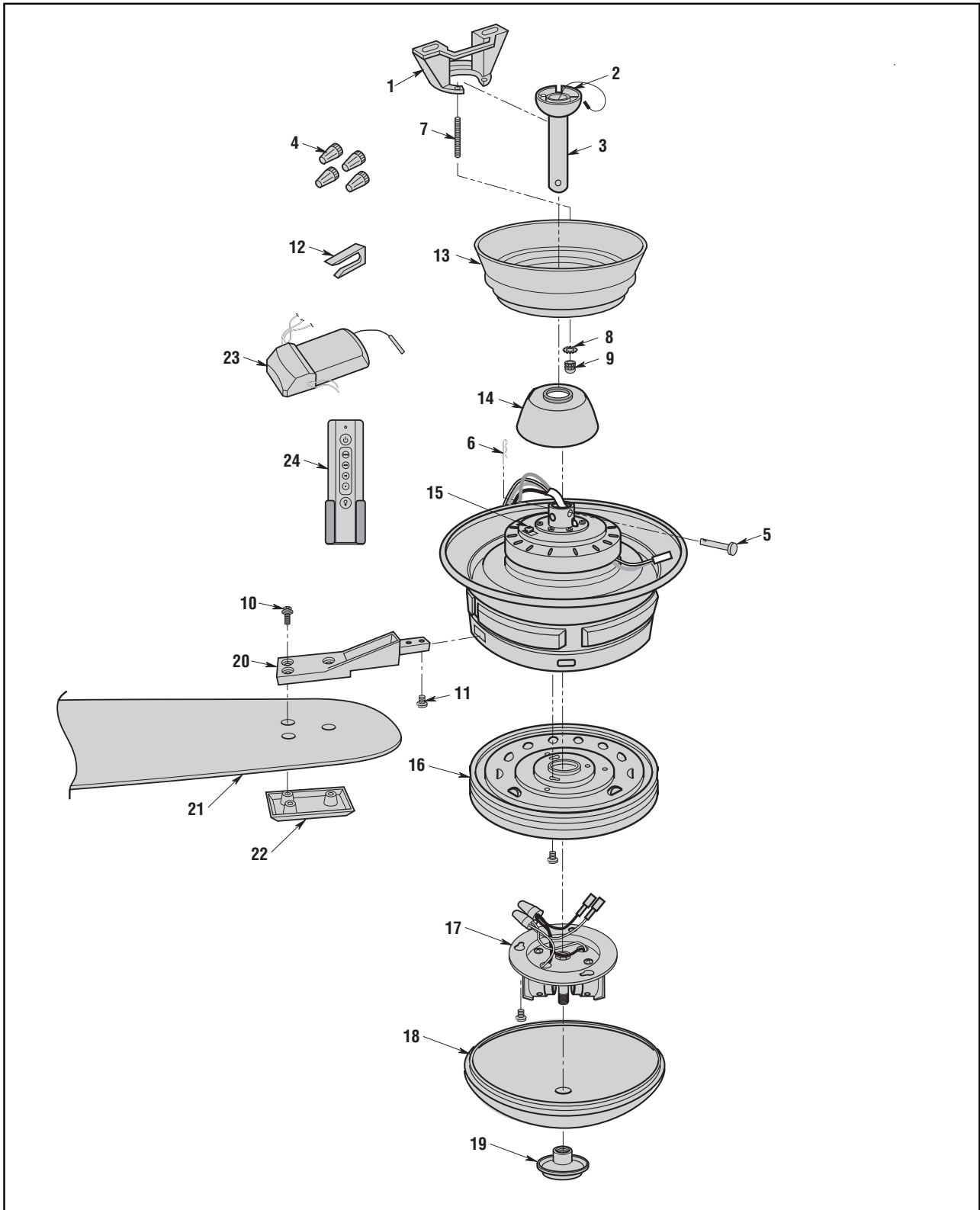


Figure 21

Repair Parts



Repair Parts Listing

Key No.	Description	Model Numbers	
		CF990BS00	CF990VNB00
*	Hanger Ball Assembly, Consisting of:	761655-17	761655-89
1	Hanger Bracket	—	—
2	Hanger Ball	—	—
3	Downrod (4.5")	—	—
*	Parts Bag Containing:	764286	764286-1
4	Wire Connector (4)	—	—
5	Pin, Clevis (1)	—	—
6	Clip, Hairpin (1)	—	—
7	Threaded Stud, #8-32 x 1-1/4" (2)	—	—
8	Lockwasher, External Tooth #8 (2)	—	—
9	Knurled Knob, #8-32 (2)	—	—
10	Screw, Washer Head, #10-32 x 7/16" (16)	—	—
11	Screw, Round Head Lock Tie Flange, 1/4" x 9/16" (11)	—	—
12	Balancing Kit (1)	—	—
13	Canopy, Ceiling (1)	764267-BS	764267-VNB
14	Motor Coupling Cover (1)	764268-BS	764268-VNB
15	Harness Wiring (1)	764285-1	764285-2
16	Lower Housing Assembly (1)	764280-BS	764280-VNB
17	Light Kit Assembly (1)	764281-WW	764281-WW
18	Light Kit Glass (1)	764283-OM	764285-VC
19	Finial Nut (1)	764284-BS	764284-VNB
20	Blade Flange (set of 5)	764274-BS	764274-VNB
21	Blades (set of 5)	764278-DM	764278-WA
22	Blade Medallions (set of 5)	764276-BS	764276-VNB
23	Receiver, Remote Control (1)	RCFP	RCFP
24	Transmitter (1)	SR400	SR400
—	Owner's Manual	BP7464	BP7464

Before discarding packaging material, be certain all parts have been removed.

HOW TO ORDER REPAIR PARTS

WHEN ORDERING REPAIR PARTS, ALWAYS GIVE THE FOLLOWING INFORMATION:

- PART NUMBER
- NAME OF ITEM
- PART DESCRIPTION
- MODEL NUMBER

The model number of your Fan will be found on a label attached to the top housing.

For repair parts, phone 1-800-654-3545.

Maintenance

IMPORTANT CARE INSTRUCTIONS for your Ceiling Fan

Periodic cleaning of your new ceiling fan is the only maintenance that is needed.

When cleaning, use only a soft brush or lint free cloth to avoid scratching the finish.

Abrasive cleaning agents are not required and should be avoided to prevent damage to finish.

WARNING

Do not use water when cleaning your ceiling fan. It could damage the motor or the blades and create the possibility of an electrical shock.

Accessories

1. Ceiling Fan/Light Controls (see store or catalog).
2. Downrod Extension Kits (see store or catalog).

WARNING

The use of any other control not specifically approved for this fan could result in fire, shock and personal injury.

WARNING

This product is designed to use only those parts supplied with this product and/or any accessories designated specifically for use with this product by Emerson Electric Co. Substitution of parts or accessories not designated for use with this product by Emerson Electric Co. could result in personal injury or property damage.

Trouble Shooting

▲ WARNING: FOR YOUR OWN SAFETY TURN OFF POWER AT FUSE BOX OR CIRCUIT BREAKER BEFORE TROUBLE SHOOTING YOUR FAN.

TROUBLE	PROBABLE CAUSE	SUGGESTED REMEDY
1. Fan will not start.	1. Fuse or circuit breaker blown. 2. Loose power line connections to the fan, or loose switch wire connections in the switch housing. 3. Dead battery in remote control transmitter. 4. Remote control transmitter not programmed to match control receiver.	1. Check main and branch circuit fuses or circuit breakers. 2. Check line wire connections to fan and switch wire connections in the switch housing. ▲WARNING: Make sure main power is turned OFF. 3. Replace battery (red indicator light on transmitter should light when any button is pressed). 4. See Remote Programming Procedures, page 9.
2. Fan sounds noisy.	1. Blades not attached to fan. 2. Loose screws in motor housing. 3. Wire connectors inside switch housing rattling. 4. Screws holding blades to flywheel are loose.	1. Attach blades to fan before operating. 2. Check to make sure all screws in motor housing are snug (not over-tight). 3. Check to make sure wire connectors in switch housing are not rattling against each other or against the interior wall of the switch housing. ▲WARNING: Make sure main power is turned OFF. 4. Tighten screws securely.
3. Fan wobbles excessively.	1. Setscrew in motor coupling is loose. 2. Setscrew in hanger ball/downrod assembly is loose. 3. Screws securing fan blade flanges to flywheel are loose. 4. Hanger bracket and/or ceiling outlet box is not securely fastened. 5. Fan blades out of balance.	1. Tighten both setscrews securely in the motor coupling. 2. Tighten the setscrew in the hanger ball/downrod assembly. 3. Check to be sure screws which attach the fan blade flanges to the motor are tight. 4. Tighten the hanger bracket screws to the outlet box, and/or secure outlet box. 5. Interchanging an adjacent (side-by-side) blade pair can redistribute the weight and result in smoother operation.

Notes

Emerson Air Comfort Ceiling Fan Limited Warranty

What The Limited Warranty Covers:

This limited warranty is offered by Air Comfort Products division of Emerson Electric Co. ("Emerson" "we" or "us") located at the address stated below to the original retail purchaser ("you" or "your") of an Emerson Air Comfort Ceiling Fan product ("Emerson Ceiling Fan") and covers the motor and the other components and accessories of the Emerson Ceiling Fan against all defects in workmanship and materials.

What The Period Of Coverage Is:

This limited warranty will cover the Emerson Ceiling Fan motor for the expected lifetime of your Emerson Ceiling Fan (when operated in accordance with your Owner's Manual or other instructions provided by Emerson to you with the Emerson Ceiling Fan). All other components and accessories of the Emerson Ceiling Fan are covered by this limited warranty for a period of one (1) year from its date of original retail purchase. ANY IMPLIED WARRANTY, INCLUDING WITHOUT LIMITATION, ANY IMPLIED WARRANTY OF MERCHANTABILITY OR FITNESS FOR A PARTICULAR PURPOSE THAT IS AVAILABLE TO YOU UNDER THE LAWS OF YOUR STATE OR PROVINCE SHALL COVER THE MOTOR FOR THE EXPECTED LIFETIME OF THE MOTOR (SUBJECT TO PROPER USE), AND FOR ONE YEAR WITH RESPECT TO COMPONENTS AND ACCESSORIES.

No Other Express or Implied Warranty Applies:

THE LIMITED WARRANTIES PROVIDED ABOVE ARE THE SOLE AND EXCLUSIVE WARRANTIES PROVIDED BY EMERSON TO YOU FOR YOUR EMERSON CEILING FAN, AND ARE IN LIEU OF ALL OTHER WARRANTIES, WRITTEN OR ORAL, EXPRESS OR IMPLIED, WHETHER ARISING BY OPERATION OF LAW OR OTHERWISE, WHETHER OR NOT THE PURPOSE HAS BEEN DISCLOSED AND WHETHER OR NOT THE EMERSON CEILING FAN HAS BEEN SPECIFICALLY DESIGNED OR MANUFACTURED FOR YOUR USE OR PURPOSE. EMERSON HEREBY DISCLAIMS ANY AND ALL IMPLIED WARRANTIES, INCLUDING WITHOUT LIMITATION, IMPLIED WARRANTIES OF MERCHANTABILITY OR FITNESS FOR A PARTICULAR PURPOSE FOR COMPONENTS AND ACCESSORIES AS OF THE EXPIRATION OF THE ONE YEAR WARRANTY PERIOD FOR SUCH COMPONENTS AND ACCESSORIES. IMPLIED WARRANTIES OF MERCHANTABILITY OR FITNESS FOR A PARTICULAR PURPOSE FOR THE MOTOR PORTION OF THE EMERSON CEILING FAN ARE LIKEWISE DISCLAIMED BY EMERSON AT SUCH TIME THAT THE EXPECTED LIFETIME OF THE EMERSON CEILING FAN UNDER NORMAL USAGE HAS BEEN REACHED. EXCLUSIONS OR LIMITATIONS OF IMPLIED WARRANTIES MAY VARY FROM STATE TO STATE AND PROVINCE TO PROVINCE SO THE ABOVE LIMITATIONS MAY NOT APPLY TO YOU.

What We Will Do To Correct Problems:

If during the one (1) year warranty period the motor or any component or accessory of your Emerson Ceiling Fan is defective in materials or workmanship, or if during the expected lifetime of the Emerson Ceiling Fan (when used in accordance with the User Manual or other instructions) the motor is defective in materials or workmanship, you must contact Emerson during the applicable warranty period. If the defect is covered by warranty, Emerson will repair or replace the defective motor, component or other accessory at no charge to you. If repair of the motor, component or accessory is not practical or possible within a reasonable time and no replacement Emerson Ceiling Fan can be provided, Emerson will refund to you the actual purchase price of your Emerson Ceiling Fan. We will ship the repaired or the replacement Emerson Ceiling Fan to you at no charge, but you are responsible for all costs of removal and reinstallation of your Emerson Ceiling Fan.

How You Can Receive Warranty Service:

You must be the original retail purchaser and have proof of your purchase of the Emerson Ceiling Fan to obtain your remedy under this limited warranty. You can return your Emerson Ceiling Fan to your place of purchase, or you can call Emerson Customer Service at 1-800-237-6511 to obtain a return authorization and service identification tag. In order for us to confirm that your Emerson Ceiling Fan is still under warranty, please retain your receipt or other proof of purchase and have that information readily available when returning your Emerson Ceiling Fan to your place of purchase, or upon calling Emerson Customer Service. If you call Emerson Customer Service, prior to your call please be prepared to provide all model numbers shown on your Emerson Ceiling Fan. Once we have processed your return authorization request, we will provide you with a postage paid return label which should be affixed to the Emerson Ceiling Fan package you ship to the address listed at the end of this limited warranty. The return label will be sent to the mailing address you provide to us by phone.

What Is Not Covered:

This limited warranty does not extend to and expressly excludes:

- The glass globes and light bulbs of your Emerson Ceiling Fan,
- Loss or damage to the motor or any component or accessory caused by normal wear and tear, rather than due to defects in materials or workmanship,
- Loss or damage resulting from conditions beyond our reasonable control, including without limitation, repairs not made at our factory or authorized service center, use of parts or accessories not provided to you as part of this warranty by our factory or authorized service center, mishandling, unreasonable use, misuse, abuse, modifications or other damage caused by you or a third party to your Emerson Ceiling Fan while not in our possession,
- Loss or damage resulting from improper installation, or other failure to comply with instructions in your Owner's Manual.

This limited warranty is deemed null and void upon the occurrence of either of the following events:

- You cease to own the Emerson Ceiling Fan product, or
- The Emerson Ceiling Fan is moved from its original point of installation.

This limited warranty is only valid within the 50 United States, the District of Columbia, and Canada. No other written or oral warranties apply, and no employee, agent, dealer or other person is authorized to give any warranties on behalf of Air Comfort Products or Emerson Electric Co.

Limitation of Liability

REPAIR, REPLACEMENT OR A REFUND ARE THE EXCLUSIVE REMEDIES AVAILABLE TO YOU UNDER THIS LIMITED WARRANTY. TO THE EXTENT PERMITTED BY LAW, IN NO EVENT SHALL EMERSON OR ANY EMERSON AUTHORIZED DEALER BE LIABLE FOR ANY INCIDENTAL, SPECIAL, INDIRECT, OR CONSEQUENTIAL DAMAGES, INCLUDING ANY ECONOMIC LOSS, WHETHER RESULTING FROM NONPERFORMANCE, USE, MISUSE OR INABILITY TO USE THE EMERSON CEILING FAN OR FOR THE NEGLIGENCE OF EMERSON OR AN EMERSON AUTHORIZED DEALER. EMERSON SHALL NOT BE LIABLE FOR DAMAGES CAUSED BY DELAY IN PERFORMANCE AND IN NO EVENT, REGARDLESS OF THE FORM OF THE CLAIM OR CAUSE OF ACTION (WHETHER BASED IN CONTRACT, INFRINGEMENT, NEGLIGENCE, STRICT LIABILITY, OTHER TORT OR OTHERWISE), SHALL EMERSON'S OR ANY EMERSON AUTHORIZED AGENT'S LIABILITY TO YOU OR ANY INDIVIDUAL USING THE EMERSON CEILING FAN EXCEED THE PRICE PAID BY THE ORIGINAL OWNER FOR THE EMERSON CEILING FAN. The term "consequential damages" shall include, but not be limited to, loss of anticipated profits, business interruption, loss of use or revenue, cost of capital or loss or damage to property or equipment.

How State and Provincial Law Relates To The Warranty:

Some states and provinces do not allow the exclusion or limitation of incidental or consequential damages so the above exclusion or limitation may not apply to you. This limited warranty gives you specific legal rights, and you may also have other rights which vary from state to state or province to province.

emersonfans.com

Please contact 1-800-654-3545 for further assistance

ETL Model No.: CF990



EMERSON™

Air Comfort Products

DIVISION OF EMERSON ELECTRIC CO.
8100 W. Florissant • St. Louis, MO 63136

Questions, problems, missing parts: Before returning to the store call
Emerson Electric Customer Service
8 a.m. - 6 p.m., EST, Monday-Friday

1-800-654-3545

www.emersonfans.com

Retain this manual for future use.