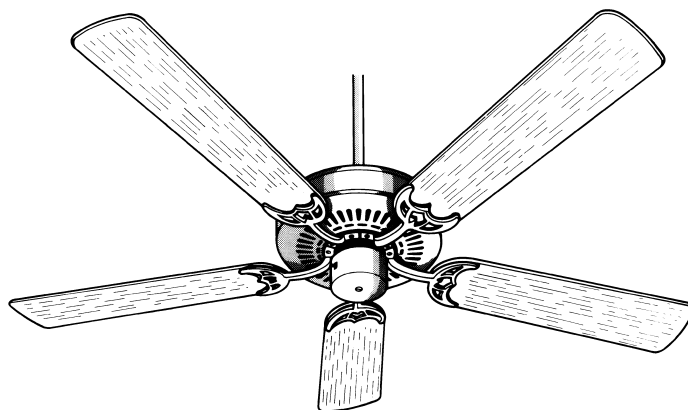


READ AND SAVE THESE INSTRUCTIONS



EMERSONTM

Northwind

Ceiling Fan Owner's Manual

42" Model Numbers

CF704BS03 - Brushed Steel

CF704ORB03 - Oil Rubbed Bronze

CF704WW03 - Appliance White

Net Weight: 12.1 Lbs.

29" Model Numbers

CF702ORB04 - Oil Rubbed Bronze

CF702WW04 - Appliance White

Net Weight: 11.2 Lbs.

Questions, problems, missing parts: Before returning to the store call
Emerson Electric Customer Service
8 a.m. - 6 p.m., EST, Monday-Friday

1-800-654-3545

www.emersonfans.com

READ AND SAVE THESE INSTRUCTIONS

Safety Instructions

WARNING

TO REDUCE THE RISK OF FIRE, ELECTRICAL SHOCK, OR INJURY TO PERSONS, OBSERVE THE FOLLOWING:

- a. Use this unit only in a manner intended by the manufacturer. If you have questions, contact the manufacturer.
 - b. Before servicing or cleaning unit, switch power off at service panel and lock service panel disconnecting means to prevent power from being switched on accidentally. When the service disconnecting means cannot be locked, securely fasten a warning device, such as a tag, to the service panel.
1. Read your owner's manual carefully and keep it for future reference.
 2. Be careful of the fan and blades when cleaning, painting, or working near the fan. Always turn off the power to the ceiling fan before servicing.
 3. Do not put anything into the fan blades while they are turning.
 4. Do not operate reversing switch until fan blades have come to a complete stop.

Additional Safety Instructions for Installation

1. To avoid possible shock, be sure electricity is turned off at the fuse box before wiring, and do not operate fan without blades.
2. All wiring must be in accordance with the National Electrical Code "ANSI/NFPA 70-2011" and Local Electrical Codes. Use the National Electrical Code if Local Codes do not exist. The ceiling fan must be grounded as a precaution against possible electrical shock. Electrical installation should be made or approved by a licensed electrician.

3. The outlet box and joist must be securely mounted and capable of reliably supporting at least 50 pounds. Use only U.L. outlet boxes listed as "Acceptable for Fan Support of 22.7kg. (50 lbs.) or less", and use the mounting screws provided with the outlet box. Most outlet boxes commonly used for support of light fixtures are not acceptable for fan support and may need to be replaced. Consult a qualified electrician if in doubt.
4. The downrod furnished with the fan provides the minimum recommended floor to fan blade clearance for an 8 foot ceiling.
5. The fan must be mounted with the fan blades at least 7 feet from the floor to prevent accidental contact with the fan blades.
6. Follow the recommended instructions for the proper method of wiring your ceiling fan. If you do not know enough about electrical wiring, have your fan installed by a licensed electrician.

WARNING: To reduce the risk of electrical shock, this fan must be installed with an isolating wall control/switch.

WARNING: To avoid fire, shock or injury, do not use an Emerson or any other brand of control not specifically approved for this fan.

WARNING: This product is designed to use only those parts supplied with this product and/or any accessories designated specifically for use this product by Emerson Electric Co. Substitution of parts or accessories not designated for use with this product by Emerson could result in personal injury or property damage.

WARNING: To reduce the risk of personal injury, do not bend the blade flange when installing the blade flanges, balancing the blades or cleaning the fan. Do not insert foreign objects in between rotating fan blades.

NOTE: All setscrews must be checked and re-tightened where necessary before installation.

DATE CODE: _____

The date code of this fan may be found on the box, stamped in ink on a white label. You should record this data above and keep it in a safe place for future use.

This Manual Is Designed to Make it as Easy as Possible for You to Assemble, Install, Operate and Maintain Your Ceiling Fan

Tools Needed for Assembly

One Phillips head screwdriver One stepladder
 One 1/4" blade screwdriver One wire stripper
 Three wire connectors (supplied)

Installed Wire Length	Wire Size A.W.G.
Up to 50 ft.	14
50 - 100 ft.	12

MATERIALS

Wiring outlet box and box connectors must be of type required by local code. The minimum wire would be a 3-conductor (2-wire with ground) of the following size:

⚠ WARNING

Before assembling your ceiling fan, refer to section on proper method of wiring your fan. If you feel you do not have enough wiring knowledge or experience, have your fan installed by a licensed electrician.

Unpacking Instructions

For your convenience, check-off boxes are provide next to each step. As each step is completed, place a check mark in the box. This will insure that all steps have been completed and will be helpful in finding your place should you be interrupted.

⚠ WARNING

Do not install or use fan if any part is damaged or missing. Call Toll-Free:

1-800-654-3545

⚠ WARNING

This product is designed to use only those parts supplied with this product and/or any accessories designated specifically for use with this product by Emerson Electric Co. Substitution of parts or accessories not designated for use with this product by Emerson Electric Co. could result in personal injury or property damage.

1. Check to see that you have received the following parts:

NOTE: If you are uncertain of part description, refer to exploded view illustration.

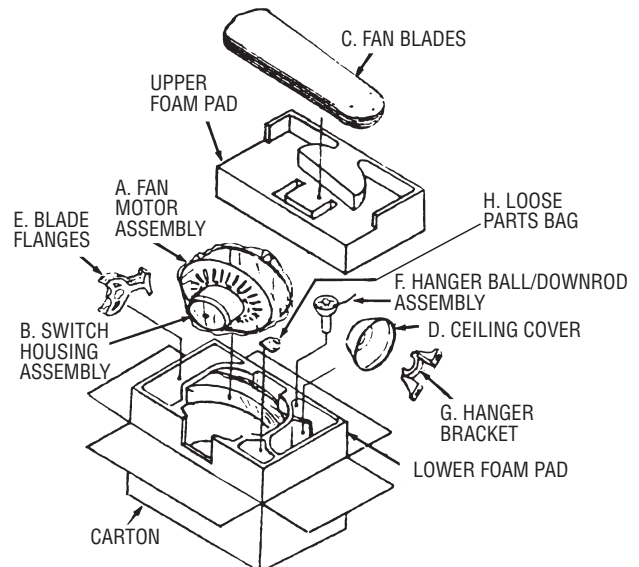
- a. Fan motor assembly
- b. One switch housing assembly
- c. Five fan blades
- d. One ceiling cover
- e. Five blade flanges
- f. One hanger ball/downrod assembly
- g. One hanger bracket
- h. One loose parts bag containing:
 1. One M5 x 13 screw
 2. Sixteen M5 x 6 washer head screws
 3. One wood pendant
 4. One coupling
 5. Three wire connectors
 6. Two threaded studs
 7. Two lockwashers
 8. Two knurled knobs
 9. One clevis pin
 10. One hairpin clip

NOTE: Place the parts from the loose parts bag in a small container to keep them from being lost.

If any parts are missing, contact your local retail or catalog outlet for replacement before proceeding.

2. Remove the fan assembly from the protective plastic bag. Place the fan assembly into the upper foam pad with the bottom of the motor facing up.

The upper foam pad serves as a holder for the fan during the first stages of assembly.



How to Put Your Ceiling Fan Together

NOTE: If your switch housing assembly is already attached to the switch housing plate, proceed to Step 3.

1. Engage the connector of the switch housing assembly with the motor connector (Figure 1). The two connectors are keyed and color-coded and must be mated correctly (color-to-color) before they can be engaged. Make sure the connector latch closes properly.

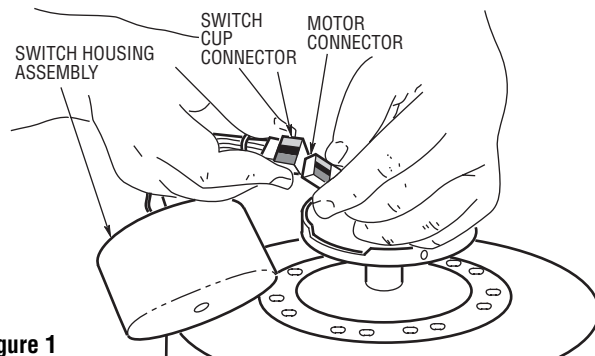


Figure 1

2. Remove the three switch cup screws from the switch housing plate. Position the switch housing assembly on the switch housing plate and align the holes in the switch housing assembly with the holes in the plate. Secure the switch housing assembly by installing the three screws (Figure 2).

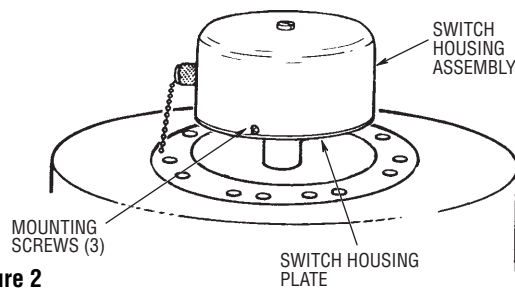


Figure 2

⚠ WARNING

To avoid possible fire or shock, do not pinch wires between the switch cup assembly and the switch cup plate.

3. Pass the 42" motor leads through the opening in the ceiling cover. Be sure the cover is oriented correctly.
4. Separate, untwist and unkink the three motor leads. Route the motor leads through the hanger ball/downrod assembly.
5. Loosen the two setscrews from the motor coupling. Align the clevis pin holes in the downrod with the holes in the motor coupling. Install the clevis pin and secure with the hairpin clip (Figure 3). The clevis pin must go through the holes in the motor coupling and the holes in the downrod. Be sure to push the straight leg of the hairpin clip through the hole near the end of the clevis pin until the curved portion of the hairpin clip snaps around the clevis pin. The hairpin clip must be properly installed to prevent the clevis pin from working loose. Pull on the hanger ball to make sure the clevis pin is properly installed.

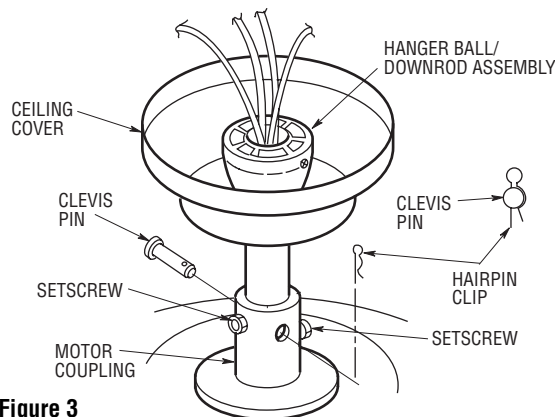


Figure 3

⚠ WARNING

It is critical that the clevis pin in the motor coupling is properly installed and the setscrews securely tightened. Failure to verify that the pin and setscrew are properly installed could result in the fan falling.

6. While pulling up on the hanger ball, securely tighten the two setscrews in the motor coupling (Figure 3).

NOTE: The setscrews must be properly installed as described above, or fan wobble could result.

7. The fan comes with blue, black and white leads that are 42" long. Before installing fan, measure up approximately 6 to 9-inches above top of hanger ball/downrod assembly. Cut off excess leads and strip back insulation 1/2-inch from end of leads.

- 8. Turn fan assembly upside down in preparation for mounting fan blade assemblies.
- 9. Mount blade flanges to fan blades using three M5 x 6 screws per blade (Figure 4).
- 10. Attach blade assembly to motor hub using two Phillips oval head flange screws assembled in flange. Make sure the screws are tightened securely (Figure 5). Repeat this procedure for other four blade assemblies.

NOTE: Take care not to scratch fan housing when installing blades.

⚠ WARNING
To reduce the risk of personal injury, do not bend the blade flanges when installing the flanges, balancing the blades, or cleaning the fan. Do not insert foreign objects in between rotating fan blades.

NOTE: Remove and discard the three shipping spacers and screws from the motor hub.

- 11. You have now completed the assembly of your new ceiling fan. You can now proceed with the hanging and the electrical wiring of your fan.

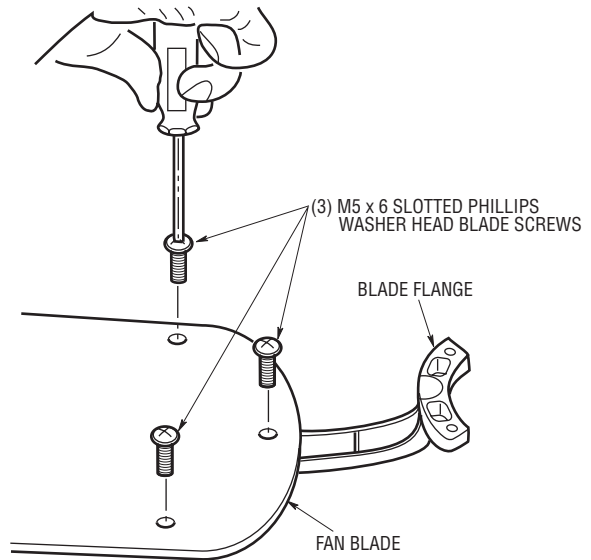


Figure 4

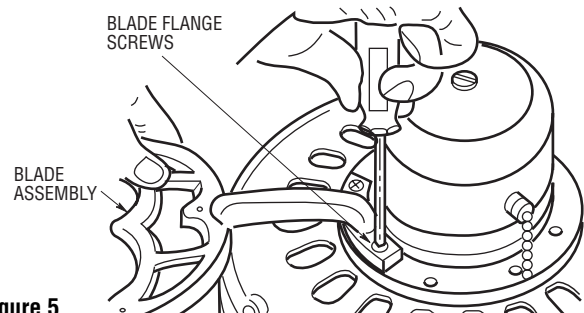


Figure 5

Electrical Requirements

Your new ceiling fan will require a grounded electrical supply line of 120 volts AC, 60 Hz, 15 amp circuit.

The outlet box must be securely anchored and capable of withstanding a load of at least 50 pounds.

⚠ WARNING
To reduce the risk of fire, electric shock, or personal injury, mount fan to outlet box marked "Acceptable for Fan Support of 22.7 kg. (50 lbs.) or less", and use screws supplied with outlet box. Most outlet boxes commonly used for support of light fixtures are not acceptable for fan support and may need to be replaced. Consult a qualified electrician if in doubt.

If your fan is to replace an existing ceiling light fixture, turn electricity off at the main fuse box at this time and remove the existing light fixture.

⚠ WARNING
Turning off wall switch is not sufficient. To avoid possible electrical shock, be sure electricity is turned off at the main fuse box before wiring. All wiring must be in accordance with National and Local codes and the ceiling fan must be properly grounded as a precaution against possible electrical shock.

⚠ WARNING
To avoid fire, or shock, follow all wiring instructions carefully. Any electrical work not described in these instructions should be done or approved by a licensed electrician.

How to Hang Your Ceiling Fan

⚠ WARNING

The fan must be hung with at least 7' of clearance from floor to blades (Figure 6).

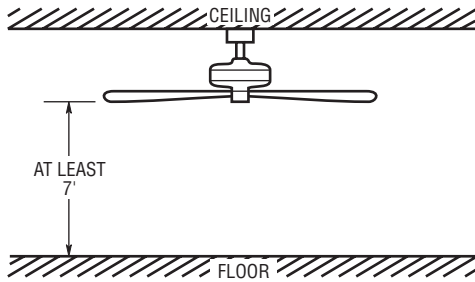


Figure 6

⚠ WARNING

The outlet box and joist must be securely mounted and capable of supporting at least 50 lbs. Use only a U.L. outlet box listed as “Acceptable for Fan Support of 22.7 kg. (50 lbs.) or less”.

⚠ WARNING

To reduce the risk of fire, electric shock, or personal injury, mount fan to outlet box marked “Acceptable for Fan Support of 22.7 kg. (50 lbs.) or less”, and use screws supplied with outlet box. Most outlet boxes commonly used for support of light fixtures are not acceptable for fan support and may need to be replaced. Consult a qualified electrician if in doubt.

1. Securely attach the hanger bracket to the outlet box using the two screws supplied with the outlet box (Figure 7).

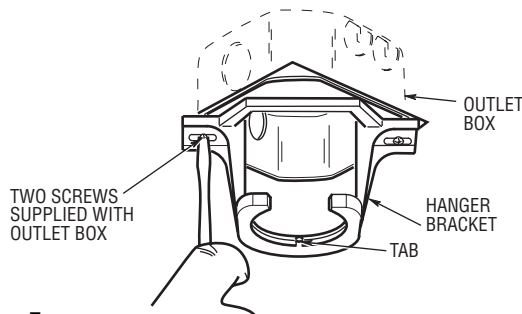


Figure 7

⚠ WARNING

Hanger bracket must seat firmly against outlet box. If the outlet box is recessed, remove wall board until bracket contacts box. If bracket and/or outlet box are not securely attached, the fan could wobble or fall.

2. Carefully lift the fan from the foam pad and seat the hanger ball/downrod assembly on the hanger bracket that was just attached to the outlet box (Figure 8). Be sure the groove in the ball is lined up with tab on the hanger bracket (Figure 7).

⚠ WARNING

Failure to seat tab in groove could cause damage to electrical wires and possible shock or fire hazard.

NOTE: CEILING COVER, SUPPLY WIRES AND FAN WIRES OMITTED FOR CLARITY.

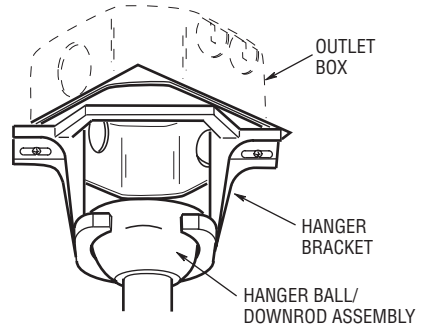


Figure 8

⚠ WARNING

To avoid possible fire or shock, do not pinch wires between the hanger ball/downrod assembly and the hanger bracket.

How To Wire Your Ceiling Fan

If you feel that you do not have enough electrical wiring knowledge or experience, have your fan installed by a licensed electrician.

⚠ WARNING

To avoid possible electrical shock, be sure electricity is turned off at the main fuse box before wiring.
NOTE: If you are not sure if the outlet box is grounded, contact a licensed electrician for advice, as it must be grounded for safe operation.

1. Connect the green grounding lead from the hanger ball and the green grounding lead from the hanger bracket (if present) to the grounding conductor of supply (this may be a bare wire or wire with green colored insulation).

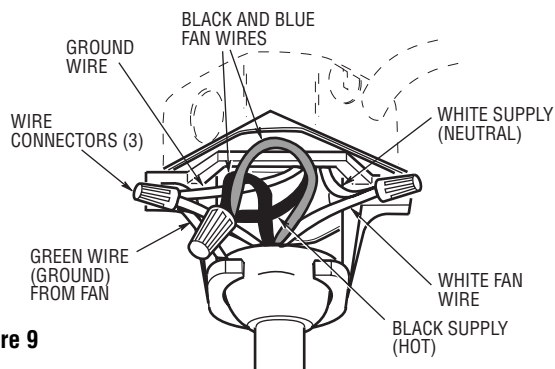


Figure 9

NOTE: If you are using an Emerson Light Fixture with your fan, remove the three screws securing the switch cup assembly to the fan, remove the switch cup assembly, and disconnect the connector. Remove the screw plug from the bottom of the switch cup and install the light in accordance with the light kit Owner's Manual.

⚠ WARNING

This product is designed to use only those parts supplied with this product and/or any accessories designated specifically for use with this product by Emerson Electric Co. Substitution of parts or accessories not designated for use with this product by Emerson Electric Co. could result in personal injury or property damage.

2. Connect the fan motor white wire to the supply white (neutral) wire using a wire connector (supplied) (Figure 9). Connect the fan motor black wire and blue wire to the supply black (hot) wire using a wire connector (supplied) (Figure 9). Your fan is now wired to be turned on and off from the fan switch. After connections have been made, turn leads upward and carefully push leads into the outlet box, with the white and green leads on one side of the outlet box and the black and blue leads on the other side of the outlet box.

⚠ WARNING

Check to see that all connections are tight, including ground, and that no bare wire is visible at the wire connectors, except for the ground wire. Do not operate fan until blades are in place. Noise and fan damage could result.

3. Screw the two threaded studs (supplied) into the tapped holes in the hanger bracket.
4. Lift the ceiling cover up to the threaded studs and turn until studs protrude through the holes in the ceiling cover (Figure 10).
5. Secure the ceiling cover in place by sliding lockwashers over the threaded studs and installing the two knurled knobs (supplied). (Figure 10). Tighten the knurled knobs securely until the ceiling cover fits snugly against the ceiling and the hole in the ceiling cover is clear of the downrod. Your fan is now wired to be turned on and off from the fan switch.

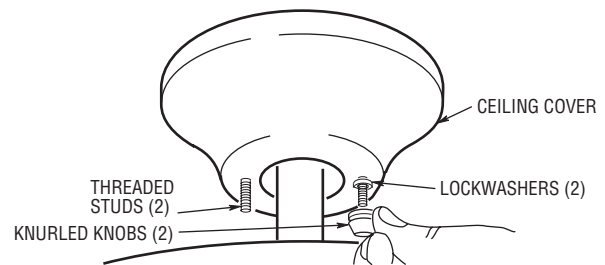


Figure 10

⚠ WARNING

To avoid possible fire or shock, make sure that the electrical wires are completely inside the outlet box and not pinched between the ceiling cover and the ceiling.

6. Cut the 3-speed switch pull chain to a desired length (optional). Connect the wood pendant (supplied) to the 3-speed switch pull chain by sliding the wooden pendant (small hole first) onto the pull chain. Attach the chain coupler to the end of the chain and allow the wooden pendant to fall down over the coupling.

Using Your Ceiling Fan

WARNING

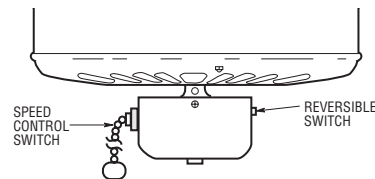
To reduce the risk of fire or electrical shock, do not use this fan with any solid-state speed control device.

- 1. Restore electrical power to the outlet box by turning the electricity on at the main fuse box.
- 2. Check the operation of the fan by gently pulling on the pull chain switch.
- 3. All fans are shipped from the factory with the reversing switch positioned to circulate air downward. If airflow is desired in opposite direction, turn your fan off and wait for the blades to stop turning, then slide the reversing switch to opposite position, and turn fan on again. The fan blades will turn in the opposite direction and reverse the airflow.

Your fan model is equipped with a 4-position, 3-speed pull chain switch. The operating sequence is as follows:

THREE-SPEED

- 1st Pull – High
- 2nd Pull – Medium
- 3rd Pull – Low
- 4th Pull – OFF



Maintenance

IMPORTANT CARE INSTRUCTIONS For Your Ceiling Fan

Periodic cleaning of your new ceiling fan is the only maintenance that is needed.

When cleaning, use only a soft brush or lint free cloth to avoid scratching the finish.

Abrasive cleaning agents are not required and should be avoided to prevent damage to finish.

WARNING

Do not use water when cleaning your ceiling fan. It could damage the motor or the blades and create the possibility of an electrical shock.

Accessories

- 1. Ceiling Fan Light Kits (see store or catalog).
- 2. Ceiling Fan/Light Controls (see store or catalog).
- 3. Downrod Extension Kits (see store or catalog).

WARNING

To reduce the risk of fire or electrical shock, do not use this fan with any solid-state speed control device.

WARNING

The use of any other control not specifically approved for this fan could result in fire, shock and personal injury.

WARNING

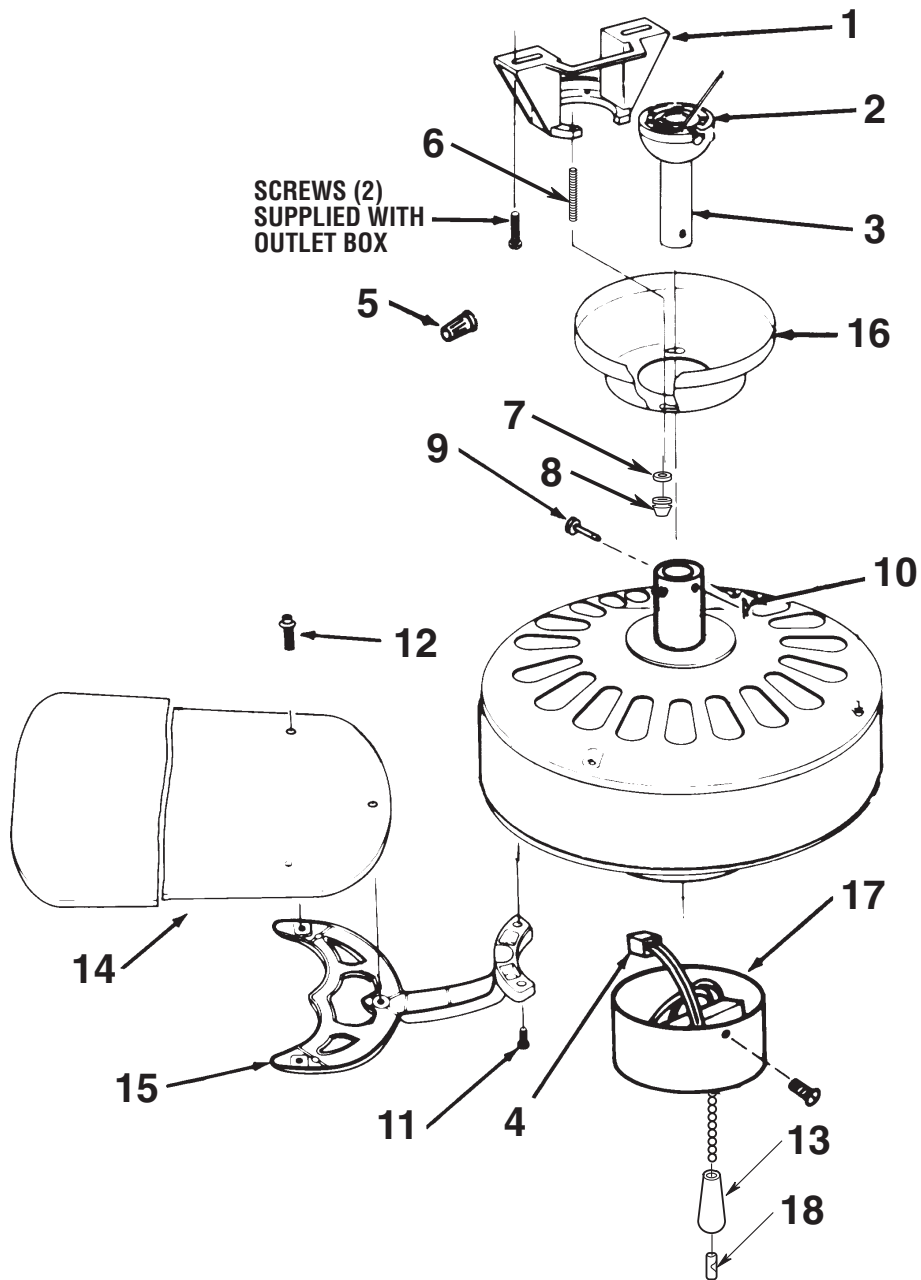
This product is designed to use only those parts supplied with this product and/or any accessories designated specifically for use with this product by Emerson Electric Co. Substitution of parts or accessories not designated for use with this product by Emerson Electric Co. could result in personal injury or property damage.

⚠ WARNING: FOR YOUR OWN SAFETY TURN OFF POWER AT FUSE BOX OR CIRCUIT BREAKER BEFORE TROUBLE SHOOTING YOUR FAN.

Trouble Shooting

TROUBLE	PROBABLE CAUSE	SUGGESTED REMEDY
<p>1. Fan will not start.</p>	<ol style="list-style-type: none"> 1. Reversing switch in neutral position. 2. Fuse or circuit breaker blown. 3. Loose power line connections to the fan, or loose switch wire connections in switch housing. 	<ol style="list-style-type: none"> 1. Make sure reversing switch position is all the way to one side. 2. Check main and branch circuit fuses or circuit breakers. 3. Check line wire connections to fan and switch wire connections in the switch housing.
<p>2. Fan sounds noisy.</p>	<ol style="list-style-type: none"> 1. Blades not attached to fan. 2. Loose screws in motor housing. 3. Screws securing fan blade flanges to motor are loose. 4. Switch housing binding against blade hub. 5. Wire connectors inside switch housing rattling. 6. Screws holding flanges to blades are loose. 	<ol style="list-style-type: none"> 1. Attach blades to fan before operating. 2. Check to make sure all screws in motor housing are snug (not over-tight). 3. Check to make sure the screws which attach the fan blade flanges to the motor hub are tight. 4. Check to make sure that the switch housing does not bind against the blade hub. 5. Check to make sure wire connectors in switch housing are not rattling against each other or against the interior wall of the switch housing. 6. Tighten screws securely.
<p>3. Fan wobbles or shakes excessively.</p>	<ol style="list-style-type: none"> 1. Setscrews in motor coupling is loose. 2. Setscrew in hanger ball/downrod assembly is loose. 3. Screws securing fan blade flanges to motor are loose. 4. Fan blade flanges not seated properly. 5. Hanger bracket and/or ceiling outlet box is not securely fastened. 6. Fan blades out of balance. 	<ol style="list-style-type: none"> 1. Tighten the setscrews. 2. Tighten the setscrew in the hanger ball/downrod assembly. 3. Check to be sure screws which attach the fan blade flanges to the motor hub are tight. 4. Check to be sure the fan blade flanges seat firmly and uniformly to the surface of the motor hub. If flanges are seated incorrectly, loosen the flange screws and retighten according to the procedure in the section on "How to Put Your Ceiling Fan Together". 5. Tighten the hanger bracket screws to the outlet box, and/or secure outlet box. 6. Interchanging an adjacent (side-by-side) blade pair can redistribute the weight and result in smoother operation.

Repair Parts



Before discarding packaging material, be certain all parts have been removed.

HOW TO ORDER REPAIR PARTS

WHEN ORDERING REPAIR PARTS, ALWAYS GIVE THE FOLLOWING INFORMATION:

- PART NUMBER
- NAME OF ITEM
- PART DESCRIPTION
- MODEL NUMBER

The model number of your Fan will be found on a label attached to the top housing.

For repair parts, phone 1-800-654-3545.

Repair Parts Listing

Key No.	Description	42" Part Number		
		Model No. CF704ORB03	Model No. CF704WW03	Model No. CF704BS03
•	Hanger Ball Assembly, Consisting of:	760750-48	760750-3	760750-24
1	Hanger Bracket	-	-	-
2	Hanger Ball	-	-	-
3	Downrod	-	-	-
•	Parts Bag Containing:	762908-1	762908-2	762908-3
5	Wire Connector (3)	-	-	-
6	Threaded Stud (2)	-	-	-
7	Lockwasher (2)	-	-	-
8	Knurled Knob (2)	-	-	-
9	Pin, Clevis	-	-	-
10	Clip, Hairpin	-	-	-
11	Screw, M5 X 13 (1)	-	-	-
12	Screw, M5 X 6 (16)	-	-	-
13	Wood Pendant	-	-	-
18	Coupling, Chain	-	-	-
4	Harness, Wiring	762568-2	762568	762568-3
14	Blade (set of 5)	762564-3	762564	762564-5
15	Flange (set of 5)	762571-4	762571	762571-5
16	Canopy, Ceiling	760169-41	760169	760169-15
17	Switch Housing	762575-4	762575	762575-5
-	Owner's Manual	BP7302-3	BP7302-3	BP7302-3

Repair Parts Listing

Key No.	Description	29" Part Number	
		Model No. CF702ORB04	Model No. CF702WW04
•	Hanger Ball Assembly, Consisting of:	760750-48	760750-3
1	Hanger Bracket	-	-
2	Hanger Ball	-	-
3	Downrod	-	-
•	Parts Bag Containing:	762908-1	762908-2
5	Wire Connector (3)	-	-
6	Threaded Stud (2)	-	-
7	Lockwasher (2)	-	-
8	Knurled Knob (2)	-	-
9	Pin, Clevis	-	-
10	Clip, Hairpin	-	-
11	Screw, M5 X 13 (1)	-	-
12	Screw, M5 X 6 (16)	-	-
13	Wood Pendant	-	-
18	Coupling, Chain	-	-
4	Harness, Wiring	762568-2	762568
14	Blade (set of 5)	762910-1	762910
15	Flange (set of 5)	762913-1	762913
16	Canopy, Ceiling	760169-41	760169
17	Switch Housing	762575-4	762575
-	Owner's Manual	BP7302-3	BP7302-3

Emerson Air Comfort Ceiling Fan Limited Warranty

What The Limited Warranty Covers:

This limited warranty is offered by Air Comfort Products division of Emerson Electric Co. ("Emerson" "we" or "us") located at the address stated below to the original retail purchaser ("you" or "your") of an Emerson Air Comfort Ceiling Fan product ("Emerson Ceiling Fan") and covers the motor and the other components and accessories of the Emerson Ceiling Fan against all defects in workmanship and materials.

What The Period Of Coverage Is:

This limited warranty will cover the Emerson Ceiling Fan motor for the expected lifetime of your Emerson Ceiling Fan (when operated in accordance with your Owner's Manual or other instructions provided by Emerson to you with the Emerson Ceiling Fan). All other components and accessories of the Emerson Ceiling Fan are covered by this limited warranty for a period of one (1) year from its date of original retail purchase. ANY IMPLIED WARRANTY, INCLUDING WITHOUT LIMITATION, ANY IMPLIED WARRANTY OF MERCHANTABILITY OR FITNESS FOR A PARTICULAR PURPOSE THAT IS AVAILABLE TO YOU UNDER THE LAWS OF YOUR STATE OR PROVINCE SHALL COVER THE MOTOR FOR THE EXPECTED LIFETIME OF THE MOTOR (SUBJECT TO PROPER USE), AND FOR ONE YEAR WITH RESPECT TO COMPONENTS AND ACCESSORIES.

No Other Express or Implied Warranty Applies:

THE LIMITED WARRANTIES PROVIDED ABOVE ARE THE SOLE AND EXCLUSIVE WARRANTIES PROVIDED BY EMERSON TO YOU FOR YOUR EMERSON CEILING FAN, AND ARE IN LIEU OF ALL OTHER WARRANTIES, WRITTEN OR ORAL, EXPRESS OR IMPLIED, WHETHER ARISING BY OPERATION OF LAW OR OTHERWISE, WHETHER OR NOT THE PURPOSE HAS BEEN DISCLOSED AND WHETHER OR NOT THE EMERSON CEILING FAN HAS BEEN SPECIFICALLY DESIGNED OR MANUFACTURED FOR YOUR USE OR PURPOSE. EMERSON HEREBY DISCLAIMS ANY AND ALL IMPLIED WARRANTIES, INCLUDING WITHOUT LIMITATION, IMPLIED WARRANTIES OF MERCHANTABILITY OR FITNESS FOR A PARTICULAR PURPOSE FOR COMPONENTS AND ACCESSORIES AS OF THE EXPIRATION OF THE ONE YEAR WARRANTY PERIOD FOR SUCH COMPONENTS AND ACCESSORIES. IMPLIED WARRANTIES OF MERCHANTABILITY OR FITNESS FOR A PARTICULAR PURPOSE FOR THE MOTOR PORTION OF THE EMERSON CEILING FAN ARE LIKEWISE DISCLAIMED BY EMERSON AT SUCH TIME THAT THE EXPECTED LIFETIME OF THE EMERSON CEILING FAN UNDER NORMAL USAGE HAS BEEN REACHED. EXCLUSIONS OR LIMITATIONS OF IMPLIED WARRANTIES MAY VARY FROM STATE TO STATE AND PROVINCE TO PROVINCE SO THE ABOVE LIMITATIONS MAY NOT APPLY TO YOU.

What We Will Do To Correct Problems:

If during the one (1) year warranty period the motor or any component or accessory of your Emerson Ceiling Fan is defective in materials or workmanship, or if during the expected lifetime of the Emerson Ceiling Fan (when used in accordance with the User Manual or other instructions) the motor is defective in materials or workmanship, you must contact Emerson during the applicable warranty period. If the defect is covered by warranty, Emerson will repair or replace the defective motor, component or other accessory at no charge to you. If repair of the motor, component or accessory is not practical or possible within a reasonable time and no replacement Emerson Ceiling Fan can be provided, Emerson will refund to you the actual purchase price of your Emerson Ceiling Fan. We will ship the repaired or the replacement Emerson Ceiling Fan to you at no charge, but you are responsible for all costs of removal and reinstallation of your Emerson Ceiling Fan.

How You Can Receive Warranty Service:

You must be the original retail purchaser and have proof of your purchase of the Emerson Ceiling Fan to obtain your remedy under this limited warranty. You can return your Emerson Ceiling Fan to your place of purchase, or you can call Emerson Customer Service at 1-800-237-6511 to obtain a return authorization and service identification tag. In order for us to confirm that your Emerson Ceiling Fan is still under warranty, please retain your receipt or other proof of purchase and have that information readily available when returning your Emerson Ceiling Fan to your place of purchase, or upon calling Emerson Customer Service. If you call Emerson Customer Service, prior to your call please be prepared to provide all model numbers shown on your Emerson Ceiling Fan. Once we have processed your return authorization request, we will provide you with a postage paid return label which should be affixed to the Emerson Ceiling Fan package you ship to the address listed at the end of this limited warranty. The return label will be sent to the mailing address you provide to us by phone.

What Is Not Covered:

This limited warranty does not extend to and expressly excludes:

- The glass globes and light bulbs of your Emerson Ceiling Fan,
- Loss or damage to the motor or any component or accessory caused by normal wear and tear, rather than due to defects in materials or workmanship,
- Loss or damage resulting from conditions beyond our reasonable control, including without limitation, repairs not made at our factory or authorized service center, use of parts or accessories not provided to you as part of this warranty by our factory or authorized service center, mishandling, unreasonable use, misuse, abuse, modifications or other damage caused by you or a third party to your Emerson Ceiling Fan while not in our possession,
- Loss or damage resulting from improper installation, or other failure to comply with instructions in your Owner's Manual.

This limited warranty is deemed null and void upon the occurrence of either of the following events:

- You cease to own the Emerson Ceiling Fan product, or
- The Emerson Ceiling Fan is moved from its original point of installation.

This limited warranty is only valid within the 50 United States, the District of Columbia, and Canada. No other written or oral warranties apply, and no employee, agent, dealer or other person is authorized to give any warranties on behalf of Air Comfort Products or Emerson Electric Co.

Limitation of Liability

REPAIR, REPLACEMENT OR A REFUND ARE THE EXCLUSIVE REMEDIES AVAILABLE TO YOU UNDER THIS LIMITED WARRANTY. TO THE EXTENT PERMITTED BY LAW, IN NO EVENT SHALL EMERSON OR ANY EMERSON AUTHORIZED DEALER BE LIABLE FOR ANY INCIDENTAL, SPECIAL, INDIRECT, OR CONSEQUENTIAL DAMAGES, INCLUDING ANY ECONOMIC LOSS, WHETHER RESULTING FROM NONPERFORMANCE, USE, MISUSE OR INABILITY TO USE THE EMERSON CEILING FAN OR FOR THE NEGLIGENCE OF EMERSON OR AN EMERSON AUTHORIZED DEALER. EMERSON SHALL NOT BE LIABLE FOR DAMAGES CAUSED BY DELAY IN PERFORMANCE AND IN NO EVENT, REGARDLESS OF THE FORM OF THE CLAIM OR CAUSE OF ACTION (WHETHER BASED IN CONTRACT, INFRINGEMENT, NEGLIGENCE, STRICT LIABILITY, OTHER TORT OR OTHERWISE), SHALL EMERSON'S OR ANY EMERSON AUTHORIZED AGENT'S LIABILITY TO YOU OR ANY INDIVIDUAL USING THE EMERSON CEILING FAN EXCEED THE PRICE PAID BY THE ORIGINAL OWNER FOR THE EMERSON CEILING FAN. The term "consequential damages" shall include, but not be limited to, loss of anticipated profits, business interruption, loss of use or revenue, cost of capital or loss or damage to property or equipment.

How State and Provincial Law Relates To The Warranty:

Some states and provinces do not allow the exclusion or limitation of incidental or consequential damages so the above exclusion or limitation may not apply to you. This limited warranty gives you specific legal rights, and you may also have other rights which vary from state to state or province to province.



EMERSON

Air Comfort Products

DIVISION OF EMERSON ELECTRIC CO.
8100 W. Florissant • St. Louis, MO 63136