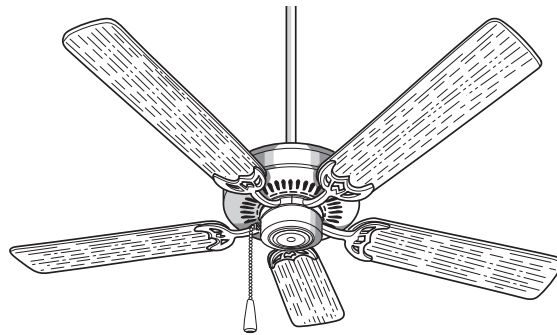


# **READ AND SAVE THESE INSTRUCTIONS**



**EMERSON™**

***Northwind***

## **52" Ceiling Fan Owner's Manual**

### **Model Numbers**

**CF705BS04 - Brushed Steel**

**CF705ORB04 - Oil Rubbed Bronze**

**CF705SW04 - Satin White**

**CF705WW04 - Appliance White**

Net Weight: **16.5** Lbs.



Questions, problems, missing parts: Before returning to the store call  
Emerson Electric Customer Service  
8 a.m. - 6 p.m., Eastern, Monday-Friday

**1-800-654-3545**

**[www.emersonfans.com](http://www.emersonfans.com)**

# Table of Contents

Section	Page	Section	Page
Safety Instructions	2	7. Maintenance	8
1. Unpacking Instructions	3	8. Energy Efficient Use of Ceiling Fans	8
2. Electrical Requirements	4	9. Accessories	9
3. Ceiling Fan Assembly	4-5	10. Trouble Shooting	9
4. How to Hang Your Ceiling Fan	6	11. Repair Parts	10-11
5. How to Wire Your Ceiling Fan	7	Ceiling Fan Limited Warranty	12
6. Using Your Ceiling Fan	8		

## READ AND SAVE THESE INSTRUCTIONS

### Safety Instructions

#### WARNING

TO REDUCE THE RISK OF FIRE, ELECTRICAL SHOCK, OR INJURY TO PERSONS, OBSERVE THE FOLLOWING:

- Use this unit only in a manner intended by the manufacturer. If you have questions, contact the manufacturer.
  - Before servicing or cleaning unit, switch power off at service panel and lock service panel disconnecting means to prevent power from being switched on accidentally. When the service disconnecting means cannot be locked, securely fasten a warning device, such as a tag, to the service panel.
- Read your owner's manual carefully and keep it for future reference.
  - Be careful of the fan and blades when cleaning, painting, or working near the fan. Always turn off the power to the ceiling fan before servicing.
  - Do not put anything into the fan blades while they are turning.
  - Do not operate reversing switch until fan blades have come to a complete stop.
  - The outlet box and joist must be securely mounted and capable of reliably supporting at least 50 pounds. Use only U.L. outlet boxes listed as "Acceptable for Fan Support of 22.7 kg. (50 lbs.) or less", and use the mounting screws provided with the outlet box. Most outlet boxes commonly used for support of light fixtures are not acceptable for fan support and may need to be replaced. Consult a qualified electrician if in doubt.
  - The downrod furnished with the fan provides the minimum recommended floor to fan blade clearance for an 8 foot ceiling.
  - The fan must be mounted with the fan blades at least 7 feet from the floor to prevent accidental contact with the fan blades.
  - Follow the recommended instructions for the proper method of wiring your ceiling fan. If you do not know enough about electrical wiring, have your fan installed by a licensed electrician.

**WARNING:** To reduce the risk of electrical shock, this fan must be installed with an isolating wall control/switch.

**WARNING:** To avoid fire, shock or injury, do not use an Emerson or any other brand of control not specifically approved for this fan.

**WARNING:** This product is designed to use only those parts supplied with this product and/or any accessories designated specifically for use this product by Emerson Electric Co. Substitution of parts or accessories not designated for use with this product by Emerson could result in personal injury or property damage.

**WARNING:** To reduce the risk of personal injury, do not bend the blade flange when installing the blade flanges, balancing the blades or cleaning the fan. Do not insert foreign objects in between rotating fan blades.

**NOTE:** All setscrews must be checked and re-tightened where necessary before installation.

#### Additional Safety Instructions for Installation

- To avoid possible shock, be sure electricity is turned off at the fuse box before wiring, and do not operate fan without blades.
- All wiring must be in accordance with the National Electrical Code "ANSI/NFPA 70-2014" and Local Electrical Codes. Use the National Electrical Code if Local Codes do not exist. The ceiling fan must be grounded as a precaution against possible electrical shock. Electrical installation should be made or approved by a licensed electrician.

DATE CODE: \_\_\_\_\_

The date code of this fan may be found on the box, stamped in ink on a white label. You should record this data above and keep it in a safe place for future use.

# 1. Unpacking Instructions

## ⚠ WARNING

Do not install or use fan if any part is damaged or missing. Call Toll-Free:

**1-800-654-3545**

## ⚠ WARNING

This product is designed to use only those parts supplied with this product and/or any accessories designated specifically for use with this product by Emerson Electric Co. Substitution of parts or accessories not designated for use with this product by Emerson Electric Co. could result in personal injury or property damage.

1. Check to see that you have received the following parts:

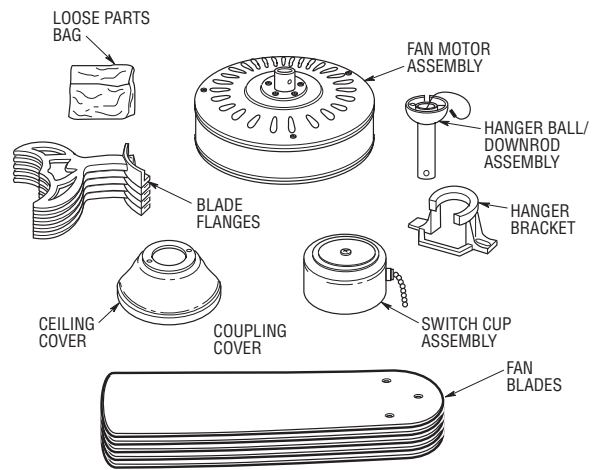
**NOTE: If you are uncertain of part description, refer to exploded view illustration.**

- a. Fan motor assembly
- b. One switch housing assembly
- c. Five fan blades
- d. One ceiling cover
- e. Five blade flanges
- f. One hanger ball/downrod assembly
- g. One hanger bracket
- h. One loose parts bag containing:
  1. Sixteen M5 x 6 washer head blade screws
  2. One M6 x 14 flange screw with lockwasher
  3. One wood pendant
  4. One coupling
  5. Three wire connectors
  6. Two threaded studs
  7. Two lockwashers
  8. Two knurled knobs
  9. One clevis pin
  10. One hairpin clip

**NOTE: Place the parts from the loose parts bags in a small container to keep them from being lost. If any parts are missing, contact your local retailer or catalog outlet for replacement before proceeding.**

2. Remove the fan assembly from the protective plastic bag. Place the fan assembly into the upper foam pad with the top of the motor facing up.

The upper foam pad serves as a holder for the fan during the first stages of assembly.



**This Manual Is Designed to Make it as Easy as Possible for You to Assemble, Install, Operate and Maintain Your Ceiling Fan**

### Tools Needed for Assembly

One Phillips head screwdriver	One stepladder
One 5/16" blade screwdriver	One wire stripper

### Installed Wire Length

Up to 50 ft.  
50-100 ft.

### Wire Size A.W.G.

14  
12

### Materials

Wiring outlet box and box connectors must be of type required by the local code. The minimum wire would be a 3-conductor (2-wire with ground) of following size:

## ⚠ WARNING

Before assembling your ceiling fan, refer to section on proper method of wiring your fan (page 7). If you feel you do not have enough wiring knowledge or experience, have your fan installed by a licensed electrician.

emersonfans.com

Please contact 1-800-654-3545 for further assistance  
U.L. Model No.: 52-ANT

## 2. Electrical Requirements

Your new ceiling fan will require a grounded electrical supply line of 120 volts AC, 60 Hz, 15 amp circuit.

### **⚠ WARNING**

To reduce the risk of fire, electric shock, or personal injury, mount fan to outlet box marked “Acceptable for Fan Support of 22.7 kg. (50 lbs.) or less”, and use screws supplied with outlet box. Most outlet boxes commonly used for support of light fixtures are not acceptable for fan support and may need to be replaced. Consult a qualified electrician if in doubt.

### **⚠ WARNING**

Turning off wall switch is not sufficient. To avoid possible electrical shock, be sure electricity is turned off at the main fuse box before wiring. All wiring must be in accordance with National and Local codes and the ceiling fan must be properly grounded as a precaution against possible electrical shock.

The outlet box must be securely anchored and capable of withstanding a load of at least 50 pounds.

If your fan is to replace an existing ceiling light fixture, turn electricity off at the main fuse box at this time and remove the existing light fixture.

### **⚠ WARNING**

To avoid fire or shock, follow all wiring instructions carefully.

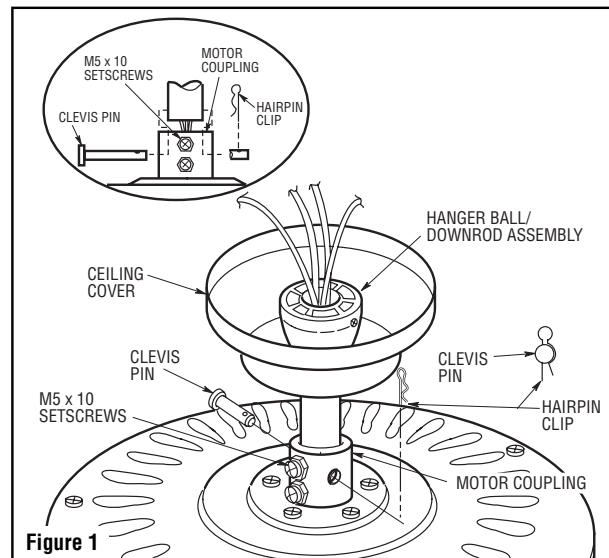
Any electrical work not described in these instructions should be done or approved by a licensed electrician.

## 3. Ceiling Fan Assembly

1. Pass the 42” motor leads through the opening in the ceiling cover. Be sure the cover is oriented correctly (Figure 1).
2. Separate, untwist and unkink the three motor leads. Route the motor leads through the hanger ball/downrod assembly.
3. Loosen the two screws in the motor coupling. Align the clevis pin holes in the downrod with the holes in the motor coupling. Install the clevis pin and secure with the hairpin clip (Figure 1). The clevis pin must go through the holes in the motor coupling and the holes in the downrod. Be sure to push the straight leg of the hairpin clip through the hole near the end of the clevis pin until the curved portion of the hairpin clip snaps around the clevis pin. The hairpin clip must be properly installed to prevent the clevis pin from working loose. Pull on the hanger ball to make sure the clevis pin is properly installed.

### **⚠ WARNING**

It is critical that the clevis pin in the motor coupling is properly installed and the setscrews securely tightened. Failure to verify that the pin and setscrews are properly installed could result in the fan falling.



## 3. Ceiling Fan Assembly (continued)

4. While pulling up on the hanger ball, securely tighten the two setscrews in the motor coupling (Figure 1).

**NOTE: The setscrew must be properly installed as described above, or fan wobble could result.**

5. The fan comes with blue, black and white leads that are 42-inches long. Before installing the fan, measure up approximately 6 to 9-inches above top of hanger ball/downrod assembly. Cut off excess leads and strip back insulation 1/2-inch from end of leads.

6. Mount the blade flanges to fan blades using three M5 x 6 washer head blade screws per blade (Figure 2).

### **⚠ WARNING**

To reduce the risk of personal injury, do not bend the blade flange when installing the blade flanges, balancing the blades or cleaning the fan. Do not insert foreign objects in between rotating fan blades.

**NOTE: Take care not to scratch fan housing when installing blades.**

**NOTE: Remove and discard the four shipping spacers and screws from the motor hub.**

7. Turn the fan assembly upside down in preparation for mounting the fan blade assemblies.

8. Rotate the motor hub until the flange screw hole is next to the cutout in the switch housing plate. Attach the blade assembly to the motor hub using the two M6 x 14 flange screws preassembled in flange (Figure 3). Make sure all screws are tightened. Repeat this procedure for the other four blade assemblies.

9. The blade flanges have an interlocking feature that must be fully engaged before tightening the screws. Make sure all the flanges are properly engaged and then tighten the flange screws. If one of the flanges does not seat properly on the motor hub, loosen the adjacent flange screws, re-engage and reseat the flanges, then tighten the screws again.

10. Engage the connector of the switch housing assembly with the motor connector (Figure 4). The two connectors are keyed and color-coded and must be mated correctly (color-to-color) before they can be engaged. Make sure the connector latch closes properly.

11. Remove the three switch housing mounting screws (Figure 4) from the switch housing plate. Position the switch housing assembly on the switch housing plate and align the holes in the switch housing assembly with the holes in the plate. Secure the switch housing assembly by installing the three mounting screws (Figure 5).

**NOTE: Do not pinch wires between the switch housing assembly and the switch housing plate.**

12. You have now completed the assembly of your new ceiling fan. You can now proceed with hanging and wiring your fan.

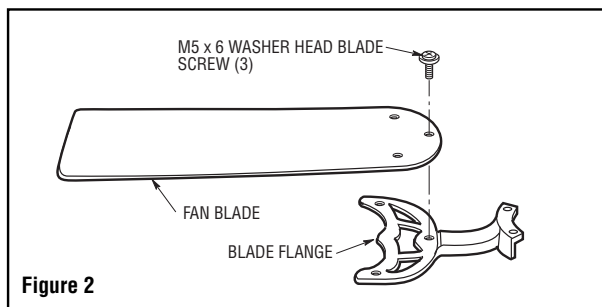


Figure 2

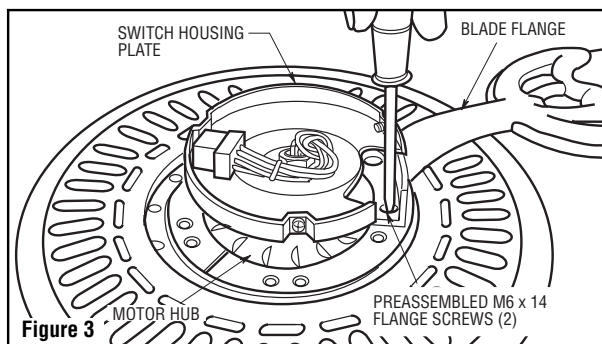


Figure 3

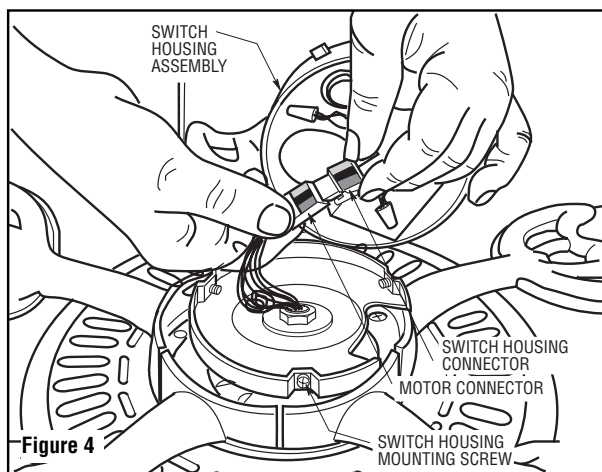


Figure 4

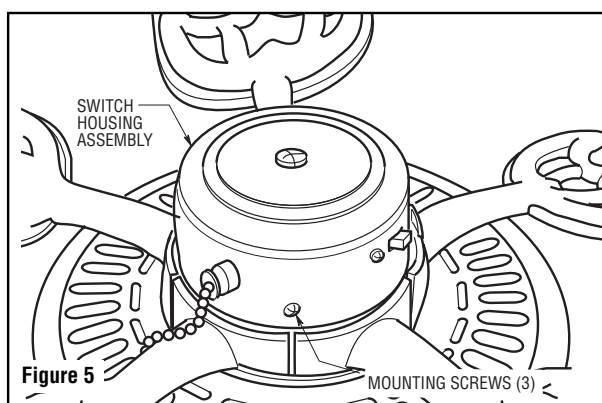


Figure 5

## 4. How to Hang Your Ceiling Fan (continued)

### ⚠ WARNING

The fan must be hung with at least 7' of clearance from floor to blades (Figure 6).

### ⚠ WARNING

The outlet box and joist must be securely mounted and capable of supporting at least 50 lbs. Use only a U.L. outlet box listed as "Acceptable for Fan Support of 22.7 kg. (50 lbs.) or less".

### ⚠ WARNING

To reduce the risk of fire, electric shock, or personal injury, mount fan to outlet box marked "Acceptable for Fan Support of 22.7 kg. (50 lbs.) or less", and use screws supplied with outlet box. Most outlet boxes commonly used for support of light fixtures are not acceptable for fan support and may need to be replaced. Consult a qualified electrician if in doubt.

1. Securely attach the hanger bracket to the outlet box using the two screws supplied with the outlet box. (Figure 7.)

### ⚠ WARNING

Hanger bracket must seat firmly against outlet box. If the outlet box is recessed, remove wall board until bracket contacts box. If bracket and/or outlet box are not securely attached, the fan could wobble or fall.

2. Carefully lift the fan and seat the hanger ball/downrod assembly on the hanger bracket that was just attached to the outlet box (Figure 8). Be sure the groove in the ball is lined up with tab on the hanger bracket (Figure 7).

### ⚠ WARNING

Failure to seat tab in groove could cause damage to electrical wires and possible shock or fire hazard.

### ⚠ WARNING

To avoid possible fire or shock, do not pinch wires between the hanger ball/downrod assembly and hanger bracket.

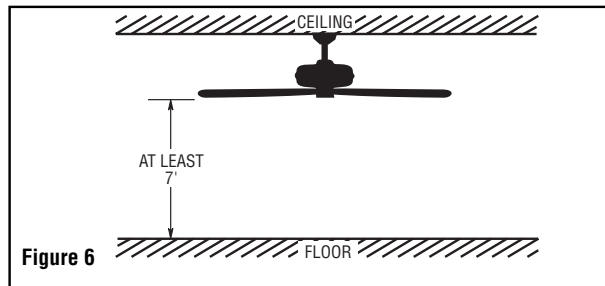


Figure 6

NOTE: CEILING COVER OMITTED FOR CLARITY.

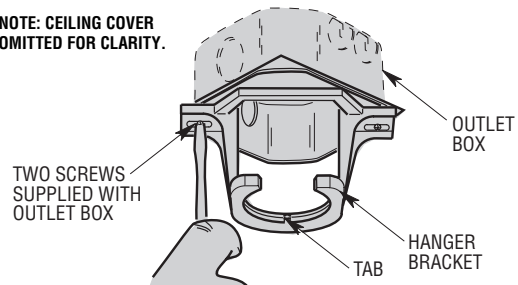


Figure 7

NOTE: CEILING COVER, SUPPLY WIRES AND FAN WIRES OMITTED FOR CLARITY.

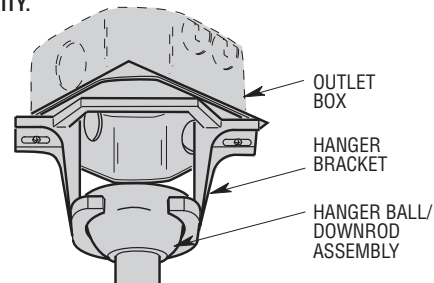


Figure 8

## 5. How to Wire Your Ceiling Fan

If you feel that you do not have enough electrical wiring knowledge or experience, have your fan installed by a licensed electrician.

### ⚠ WARNING

To avoid possible electrical shock, be sure electricity is turned off at the main fuse box before wiring.

**NOTE:** If you are not sure if the outlet box is grounded, contact a licensed electrician for advice, as it must be grounded for safe operation.

1. Connect the green grounding lead from the hanger ball and the green grounding lead from the hanger bracket to the grounding conductor of supply (this may be a bare wire or wire with green colored insulation). Securely connect wires with wire connectors supplied. (Figure 9.)

**NOTE:** If you are using an Emerson Light Fixture with your fan, see Light Fixture Owner's Manual for wiring.

### ⚠ WARNING

This product is designed to use only those parts supplied with this product and/or any accessories designated specifically for use with this product by Emerson Electric Co. Substitution of parts or accessories not designated for use with this product by Emerson Electric Co. could result in personal injury or property damage.

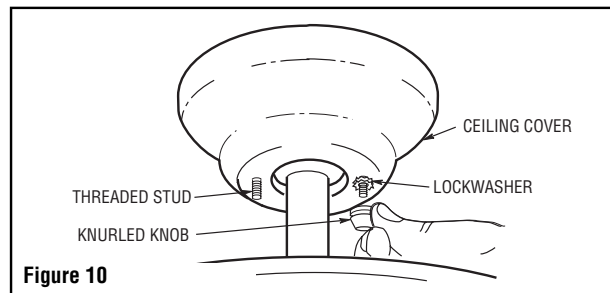
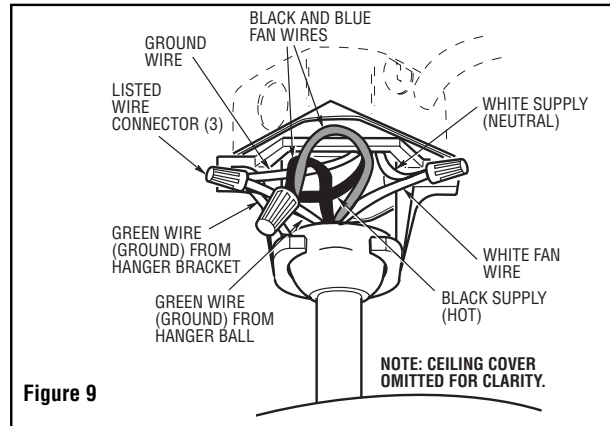
2. Securely connect the fan motor white wire to the supply white (neutral) wire using wire connector supplied (Figure 9). Securely connect the fan motor black wire and blue wire to the supply black (hot) wire using wire connector supplied (Figure 9). After connections have been made, turn leads upward and carefully push leads into the outlet box, with the white and green leads on one side of the outlet box and the black and blue leads on the other side of the outlet box.

### ⚠ WARNING

Check to see that all connections are tight, including ground, and that no bare wire is visible at the wire connectors, except for the ground wire. Do not operate fan until blades are in place. Noise and fan damage could result.

### ⚠ WARNING

To avoid possible fire or shock, make sure that the electrical wires are completely inside the outlet box and not pinched between the ceiling cover and the ceiling.



3. Screw the two threaded studs (supplied) into the tapped holes in the hanger bracket.
4. Lift the ceiling cover up to the threaded studs and turn until studs protrude through the holes in the ceiling cover (Figure 10).
5. Secure the ceiling cover in place by sliding lockwashers over the threaded studs and installing the two knurled knobs (supplied). (Figure 10.) Tighten the knurled knobs securely until the ceiling cover fits snugly against the ceiling and the hole in the ceiling cover is clear of the downrod. Your fan is now wired to be turned on and off from the fan switch.
6. Cut the 3-speed switch pull chain to a desired length (optional). Connect the wood pendant (supplied) to the 3-speed switch pull chain by sliding the wooden pendant (small hole first) onto the pull chain. Attach the chain coupler to the end of the chain and allow the wooden pendant to fall down over the coupling.

## 6. Using Your Ceiling Fan

1. Restore electrical power to the outlet box by turning the electricity on at the main fuse box.
2. Check the operation of the fan by gently pulling on the pull chain switch.
3. All fans are shipped from the factory with the reversing switch positioned "down" to circulate air downward. If airflow is desired in opposite direction, turn your fan OFF and wait for the blades to stop turning, then slide the reversing switch to the "up" position, and turn fan on again.
4. The fan blades will turn in the opposite direction and reverse the airflow.

Your fan model is equipped with a 4-position, 3-speed pull chain switch. The operating sequence is as follows:

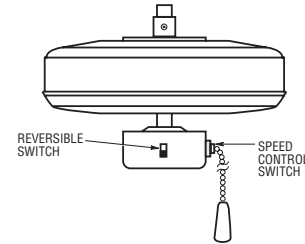
### Three-Speed

1st Pull—HIGH

2nd Pull—Medium

3rd Pull—Low

4th Pull—OFF



### Reverse Switch Information

Season	Rotation Direction	Switch Position
Summer	Counter-Clockwise	Down
Winter	Clockwise	Up

## 7. Maintenance

### IMPORTANT CARE INSTRUCTIONS for your Ceiling Fan

Periodic cleaning of your new ceiling fan is the only maintenance that is needed.

When cleaning, use only a soft brush or lint free cloth to avoid scratching the finish.

Abrasive cleaning agents are not required and should be avoided to prevent damage to finish.

### WARNING

Do not use water when cleaning your ceiling fan. It could damage the motor or the blades and create the possibility of an electrical shock.

## 8. Energy Efficient Use of Ceiling Fans

Ceiling fan performance and energy savings rely heavily on the proper installation and use of the ceiling fan. Here are a few tips to ensure quality and product performance.

**Choosing the Appropriate Mounting Location.** Ceiling fans should be installed, or mounted, in the middle of the room and at least 7 feet above the floor and 18 inches from the walls. If ceiling height allows, install the fan 8 - 9 feet above the floor for optimal airflow. Consult your Emerson Retailer for optional mounting accessories.

**Using the Ceiling Fan Year Round.** In the summer, use the ceiling fan in the counter-clockwise direction. The airflow produced by the ceiling fan creates a wind-chill effect, making you "feel" cooler. Select a fan speed that provides a comfortable breeze, lower speeds consume less energy. In the winter, reverse the motor and operate the ceiling fan at low speed in the clockwise direction. This produces a gentle updraft, which forces warm air near the ceiling down into the occupied space. Remember to adjust your thermostat when using your ceiling fan - additional energy and dollar savings could be realized with this simple step!

**Turn Off When Not in the Room.** Ceiling fans cool people, not rooms. If the room is unoccupied, turn off the ceiling fan to save energy.



## 9. Accessories

1. Ceiling Fan Light Kits (see store or catalog).
2. Ceiling Fan/Light Controls (see store or catalog).
3. Downrod Extension Kits (see store or catalog).

### WARNING



The use of any other control not specifically approved for this fan could result in fire, shock and personal injury.

### WARNING

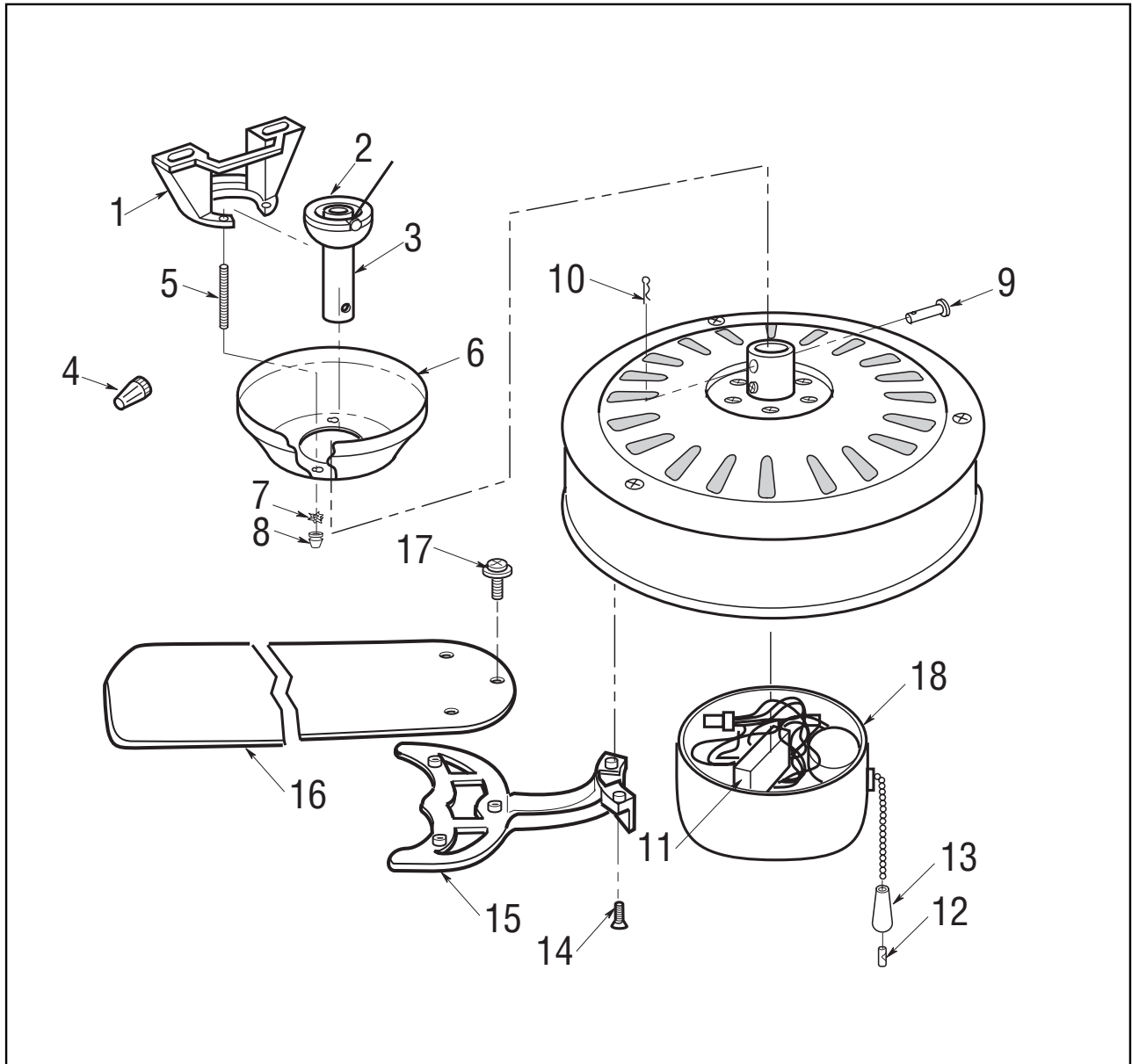
This product is designed to use only those parts supplied with this product and/or any accessories designated specifically for use with this product by Emerson Electric Co. Substitution of parts or accessories not designated for use with this product by Emerson Electric Co. could result in personal injury or property damage.

## 10. Trouble Shooting

 **WARNING: FOR YOUR OWN SAFETY TURN OFF POWER AT FUSE BOX OR CIRCUIT BREAKER BEFORE TROUBLE SHOOTING YOUR FAN.**

TROUBLE	PROBABLE CAUSE	SUGGESTED REMEDY
1. Fan will not start.	<ol style="list-style-type: none"> <li>1. Fuse or circuit breaker blown.</li> <li>2. Loose power line connections to the fan, or loose switch wire connections in the switch housing.</li> <li>3. Reversing switch in neutral position.</li> </ol>	<ol style="list-style-type: none"> <li>1. Check main and branch circuit fuses or circuit breakers.</li> <li>2. Check line wire connections to fan and switch wire connections in the switch housing.</li> <li>3. Make sure reversing switch position is all the way to one side.</li> </ol> <p> <b>WARNING: Make sure main power is turned off.</b></p>
2. Fan sounds noisy.	<ol style="list-style-type: none"> <li>1. Blades not attached to fan.</li> <li>2. Screws securing fan blade flanges to motor are loose.</li> <li>3. Wire connectors inside switch housing rattling.</li> <li>4. Motor noise caused by solid-state variable speed control.</li> <li>5. Screws holding blades to flanges are loose.</li> </ol>	<ol style="list-style-type: none"> <li>1. Attach blades to fan before operating.</li> <li>2. Check to make sure the screws which attach the fan flanges to the motor are tight.</li> <li>3. Check to make sure wire connectors in switch housing are not rattling against each other or against the interior wall of the switch housing.</li> <li>4. Some fan motors are sensitive to signals from Solid-State variable speed controls. If Solid-State Control is used and motor noise results choose an alternative control method.</li> <li>5. Tighten screws securely.</li> </ol> <p> <b>WARNING: Make sure main power is turned off.</b></p>
3. Fan wobbles excessively.	<ol style="list-style-type: none"> <li>1. Setscrew and jam nut in motor coupling are not tightened securely.</li> <li>2. Setscrew in the hanger ball/downrod assembly is loose.</li> <li>3. Screws securing fan blade flanges to motor are loose.</li> <li>4. Fan blade flanges not seated properly.</li> <li>5. Hanger bracket and/or ceiling outlet box is not securely fastened</li> <li>6. Fan blades out of balance.</li> </ol>	<ol style="list-style-type: none"> <li>1. Raise coupling cover and tighten setscrew and jam nut securely.</li> <li>2. Tighten the setscrew in the hanger ball/downrod assembly.</li> <li>3. Check to be sure screws which attach the fan blade flanges to the motor are tight.</li> <li>4. Check to be sure the fan blade flanges seat firmly and uniformly to the surface of the motor. If flanges are seated incorrectly, loosen the flange screws and retighten according to the procedure in the section on "Ceiling Fan Assembly".</li> <li>5. Tighten the hanger bracket screws to the outlet box, and/or secure outlet box.</li> <li>6. Interchanging an adjacent (side-by-side) blade pair can redistribute the weight and result in smoother operation.</li> </ol>

# 11. Repair Parts



# 11. Repair Parts Listing

Key No.	Description	Model Numbers			
		CF705WW04	CF705SW04	CF705ORB04	CF705BS04
*	Hanger Ball Assembly, Consisting of:	761655	761655-92	761655-32	761655-17
1	Hanger Bracket	—	—	—	—
2	Hanger Ball	—	—	—	—
3	Downrod	—	—	—	—
*	Parts Bag Containing:	762897-3	762897-3	762897	762897-1
4	Wire Connector (3)	—	—	—	—
5	Threaded Stud (2)	—	—	—	—
7	Lockwasher (2)	—	—	—	—
8	Knurled Knob (2)	—	—	—	—
9	Pin, Clevis	—	—	—	—
10	Clip, Hairpin	—	—	—	—
12	Coupling, Chain	—	—	—	—
13	Wood Pendant	—	—	—	—
14	Flange Screw with Lockwasher, M6 x 14 (1)	—	—	—	—
17	Screw, M5 x 6 Washer Head (16)	—	—	—	—
6	Ceiling Canopy	760169	760169-SW	760169-41	760169-15
11	Wiring Harness	762569-4	762569-4	762569-2	762569-3
15	Flange (set of 5)	762898-WW	762898-SW	762898-ORB	762898-BS
16	Blade (set of 5)	761930	761930-SWMP	761930-16	761930-17
18	Switch Housing	761935	761935-SW	761935-17	761935-8
—	Owner's Manual	BP7224-9	BP7224-9	BP7224-9	BP7224-9

**Before discarding packaging material, be certain all parts have been removed.**

## HOW TO ORDER REPAIR PARTS

WHEN ORDERING REPAIR PARTS, ALWAYS GIVE THE FOLLOWING INFORMATION:

- PART NUMBER            • NAME OF ITEM
- PART DESCRIPTION    • MODEL NUMBER

The model number of your Fan will be found on a label attached to the top housing.

For repair parts, phone 1-800-654-3545.

# Emerson Air Comfort Ceiling Fan Limited Warranty

## **What The Limited Warranty Covers:**

This limited warranty is offered by Air Comfort Products division of Emerson Electric Co. ("Emerson" "we" or "us") located at the address stated below to the original retail purchaser ("you" or "your") of an Emerson Air Comfort Ceiling Fan product ("Emerson Ceiling Fan") and covers the motor and the other components and accessories of the Emerson Ceiling Fan against all defects in workmanship and materials.

## **What The Period Of Coverage Is:**

This limited warranty will cover the Emerson Ceiling Fan motor for the expected lifetime of your Emerson Ceiling Fan (when operated in accordance with your Owner's Manual or other instructions provided by Emerson to you with the Emerson Ceiling Fan). All other components and accessories of the Emerson Ceiling Fan are covered by this limited warranty for a period of one (1) year from its date of original retail purchase. ANY IMPLIED WARRANTY, INCLUDING WITHOUT LIMITATION, ANY IMPLIED WARRANTY OF MERCHANTABILITY OR FITNESS FOR A PARTICULAR PURPOSE THAT IS AVAILABLE TO YOU UNDER THE LAWS OF YOUR STATE OR PROVINCE SHALL COVER THE MOTOR FOR THE EXPECTED LIFETIME OF THE MOTOR (SUBJECT TO PROPER USE), AND FOR ONE YEAR WITH RESPECT TO COMPONENTS AND ACCESSORIES.

## **No Other Express or Implied Warranty Applies:**

THE LIMITED WARRANTIES PROVIDED ABOVE ARE THE SOLE AND EXCLUSIVE WARRANTIES PROVIDED BY EMERSON TO YOU FOR YOUR EMERSON CEILING FAN, AND ARE IN LIEU OF ALL OTHER WARRANTIES, WRITTEN OR ORAL, EXPRESS OR IMPLIED, WHETHER ARISING BY OPERATION OF LAW OR OTHERWISE, WHETHER OR NOT THE PURPOSE HAS BEEN DISCLOSED AND WHETHER OR NOT THE EMERSON CEILING FAN HAS BEEN SPECIFICALLY DESIGNED OR MANUFACTURED FOR YOUR USE OR PURPOSE. EMERSON HEREBY DISCLAIMS ANY AND ALL IMPLIED WARRANTIES, INCLUDING WITHOUT LIMITATION, IMPLIED WARRANTIES OF MERCHANTABILITY OR FITNESS FOR A PARTICULAR PURPOSE FOR COMPONENTS AND ACCESSORIES AS OF THE EXPIRATION OF THE ONE YEAR WARRANTY PERIOD FOR SUCH COMPONENTS AND ACCESSORIES. IMPLIED WARRANTIES OF MERCHANTABILITY OR FITNESS FOR A PARTICULAR PURPOSE FOR THE MOTOR PORTION OF THE EMERSON CEILING FAN ARE LIKEWISE DISCLAIMED BY EMERSON AT SUCH TIME THAT THE EXPECTED LIFETIME OF THE EMERSON CEILING FAN UNDER NORMAL USAGE HAS BEEN REACHED. EXCLUSIONS OR LIMITATIONS OF IMPLIED WARRANTIES MAY VARY FROM STATE TO STATE AND PROVINCE TO PROVINCE SO THE ABOVE LIMITATIONS MAY NOT APPLY TO YOU.

## **What We Will Do To Correct Problems:**

If during the one (1) year warranty period the motor or any component or accessory of your Emerson Ceiling Fan is defective in materials or workmanship, or if during the expected lifetime of the Emerson Ceiling Fan (when used in accordance with the User Manual or other instructions) the motor is defective in materials or workmanship, you must contact Emerson during the applicable warranty period. If the defect is covered by warranty, Emerson will repair or replace the defective motor, component or other accessory at no charge to you. If repair of the motor, component or accessory is not practical or possible within a reasonable time and no replacement Emerson Ceiling Fan can be provided, Emerson will refund to you the actual purchase price of your Emerson Ceiling Fan. We will ship the repaired or the replacement Emerson Ceiling Fan to you at no charge, but you are responsible for all costs of removal and reinstallation of your Emerson Ceiling Fan.

## **How You Can Receive Warranty Service:**

You must be the original retail purchaser and have proof of your purchase of the Emerson Ceiling Fan to obtain your remedy under this limited warranty. You can return your Emerson Ceiling Fan to your place of purchase, or you can call Emerson Customer Service at 1-800-237-6511 to obtain a return authorization and service identification tag. In order for us to confirm that your Emerson Ceiling Fan is still under warranty, please retain your receipt or other proof of purchase and have that information readily available when returning your Emerson Ceiling Fan to your place of purchase, or upon calling Emerson Customer Service. If you call Emerson Customer Service, prior to your call please be prepared to provide all model numbers shown on your Emerson Ceiling Fan. Once we have processed your return authorization request, we will provide you with a postage paid return label which should be affixed to the Emerson Ceiling Fan package you ship to the address listed at the end of this limited warranty. The return label will be sent to the mailing address you provide to us by phone.

## **What Is Not Covered:**

### **This limited warranty does not extend to and expressly excludes:**

- The glass globes and light bulbs of your Emerson Ceiling Fan,
- Loss or damage to the motor or any component or accessory caused by normal wear and tear, rather than due to defects in materials or workmanship,
- Loss or damage resulting from conditions beyond our reasonable control, including without limitation, repairs not made at our factory or authorized service center, use of parts or accessories not provided to you as part of this warranty by our factory or authorized service center, mishandling, unreasonable use, misuse, abuse, modifications or other damage caused by you or a third party to your Emerson Ceiling Fan while not in our possession,
- Loss or damage resulting from improper installation, or other failure to comply with instructions in your Owner's Manual.

This limited warranty is deemed null and void upon the occurrence of either of the following events:

- You cease to own the Emerson Ceiling Fan product, or
- The Emerson Ceiling Fan is moved from its original point of installation.

This limited warranty is only valid within the 50 United States, the District of Columbia, and Canada. No other written or oral warranties apply, and no employee, agent, dealer or other person is authorized to give any warranties on behalf of Air Comfort Products or Emerson Electric Co.

## **Limitation of Liability**

REPAIR, REPLACEMENT OR A REFUND ARE THE EXCLUSIVE REMEDIES AVAILABLE TO YOU UNDER THIS LIMITED WARRANTY. TO THE EXTENT PERMITTED BY LAW, IN NO EVENT SHALL EMERSON OR ANY EMERSON AUTHORIZED DEALER BE LIABLE FOR ANY INCIDENTAL, SPECIAL, INDIRECT, OR CONSEQUENTIAL DAMAGES, INCLUDING ANY ECONOMIC LOSS, WHETHER RESULTING FROM NONPERFORMANCE, USE, MISUSE OR INABILITY TO USE THE EMERSON CEILING FAN OR FOR THE NEGLIGENCE OF EMERSON OR AN EMERSON AUTHORIZED DEALER. EMERSON SHALL NOT BE LIABLE FOR DAMAGES CAUSED BY DELAY IN PERFORMANCE AND IN NO EVENT, REGARDLESS OF THE FORM OF THE CLAIM OR CAUSE OF ACTION (WHETHER BASED IN CONTRACT, INFRINGEMENT, NEGLIGENCE, STRICT LIABILITY, OTHER TORT OR OTHERWISE), SHALL EMERSON'S OR ANY EMERSON AUTHORIZED AGENT'S LIABILITY TO YOU OR ANY INDIVIDUAL USING THE EMERSON CEILING FAN EXCEED THE PRICE PAID BY THE ORIGINAL OWNER FOR THE EMERSON CEILING FAN. The term "consequential damages" shall include, but not be limited to, loss of anticipated profits, business interruption, loss of use or revenue, cost of capital or loss or damage to property or equipment.

## **How State and Provincial Law Relates To The Warranty:**

Some states and provinces do not allow the exclusion or limitation of incidental or consequential damages so the above exclusion or limitation may not apply to you. This limited warranty gives you specific legal rights, and you may also have other rights which vary from state to state or province to province.



**EMERSON**

**Air Comfort Products**

DIVISION OF EMERSON ELECTRIC CO.  
8100 W. Florissant • St. Louis, MO 63136