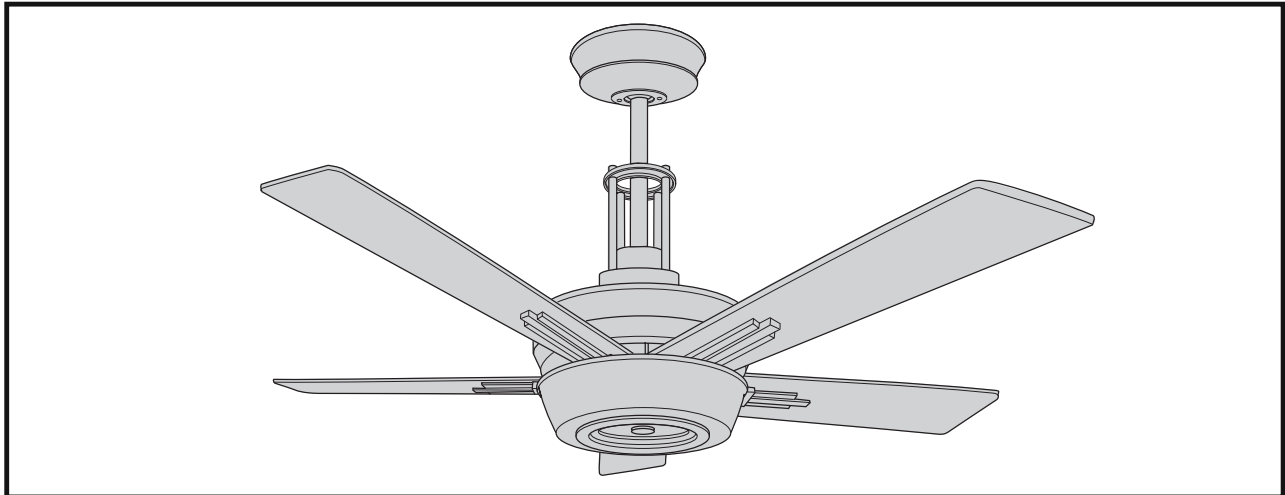


**READ AND SAVE THESE INSTRUCTIONS**



**EMERSON™**



**LACLEDE™**

**62" Ceiling Fan Owner's Manual**

**Model Numbers**

**CF995BS00 - Brushed Steel**

**CF995VNB00 - Vintage Steel**

Net Weight: **34.6** Lbs.

Questions, problems, missing parts: Before returning to the store call  
Emerson Electric Customer Service  
8 a.m. - 6 p.m., Eastern, Monday-Friday

**1-800-654-3545**

**[www.emersonfans.com](http://www.emersonfans.com)**

Part No. F40BP74790000  
Revision: 131101

Form No. BP7479  
ETL Model No.: CF995

# Table of Contents

Section	Page	Section	Page
Safety Instructions	2	9. Remote Control Procedures	15
1. Unpacking Instructions	3-4	10. Instruction to the User	16-17
2. Electrical Requirements	4	11. Repair Parts	16-17
3. Ceiling Fan Assembly	5-10	12. Maintenance	17
4. How to Hang Your Ceiling Fan	11	13. Accessories	18
5. How to Wire Your Ceiling Fan	12	14. Trouble Shooting	18
6. Installation of Light Bulbs	13	Ceiling Fan Limited Warranty	19
7. Transmitter and Receiver Instructions	14		
8. Programming the Receiver Operating Frequency & High Speed Conditioning of Fan Control	15		

## READ AND SAVE THESE INSTRUCTIONS

### Safety Instructions

#### WARNING

TO REDUCE THE RISK OF FIRE, ELECTRICAL SHOCK, OR INJURY TO PERSONS, OBSERVE THE FOLLOWING:

- Use this unit only in a manner intended by the manufacturer. If you have questions, contact the manufacturer.
- Before servicing or cleaning unit, switch power off at service panel and lock service panel disconnecting means to prevent power from being switched on accidentally. When the service disconnecting means cannot be locked, securely fasten a warning device, such as a tag, to the service panel.

- Read your owner's manual carefully and keep it for future reference.
- Be careful with the fan and blades when cleaning, painting, or working near the fan. Always turn off the power to the ceiling fan before servicing.
- Do not put anything into the fan blades while they are turning.

#### Additional Safety Instructions for Installation

- To avoid possible shock, be sure electricity is turned off at the fuse box before wiring, and do not operate fan without blades.
- All wiring must be in accordance with the National Electrical Code "ANSI/NFPA 70-2014" and Local Electrical Codes. Use the National Electrical Code if Local Codes do not exist. The ceiling fan must be grounded as a precaution against possible electrical shock. Electrical installation should be made or approved by a licensed electrician.
- The outlet box and joist must be securely mounted and capable of reliably supporting at least 50 pounds. Use only U.L. outlet boxes listed as "Acceptable for Fan Support of 22.7 kg. (50 lbs.) or less", and use the

mounting screws provided with the outlet box. Most outlet boxes commonly used for support of light fixtures are not acceptable for fan support and may need to be replaced. Consult a qualified electrician if in doubt.

- The fan must be mounted with the fan blades at least 7 feet from the floor to prevent accidental contact with the fan blades.
- Follow the recommended instructions for the proper method of wiring your ceiling fan. If you do not know enough about electrical wiring, have your fan installed by a licensed electrician.

**WARNING:** To reduce the risk of electrical shock, this fan must be installed with an isolating wall control/switch.

**NOTE:** This fan is suitable for use with solid-state speed controls.

**WARNING:** This product is designed to use only those parts supplied with this product and/or any accessories designated specifically for use this product by Emerson Electric Co. Substitution of parts or accessories not designated for use with this product by Emerson could result in personal injury or property damage.

**WARNING:** To reduce the risk of personal injury, do not bend the blade flange when installing the blade flanges, balancing the blades or cleaning the fan. Do not insert foreign objects in between rotating fan blades.

**WARNING:** To avoid fire, shock or injury, do not use an Emerson or any other brand of control not specifically approved for this fan.

**NOTE:** All setscrews must be checked and re-tightened where necessary before installation.

**NOTE:** This fan is suitable for use in wet locations when installed in a GFCI protected branch circuit.

**CAUTION:** To Reduce The Risk Of Injury To Persons, Install Fan So That The Blade Is At Least 2.1 Meters (7 Feet) Above The Floor.

#### DATE CODE: \_\_\_\_\_

The date code of this fan may be found on the box, stamped in ink on a white label. You should record this data above and keep it in a safe place for future use.

# 1. Unpacking Instructions

## ⚠ WARNING

Do not install or use fan if any part is damaged or missing. Call Toll-Free for replacement parts:

**1-800-654-3545**

## ⚠ WARNING

This product is designed to use only those parts supplied with this product and/or any accessories designated specifically for use with this product by Emerson Electric Co. Substitution of parts or accessories not designated for use with this product by Emerson Electric Co. could result in personal injury or property damage.

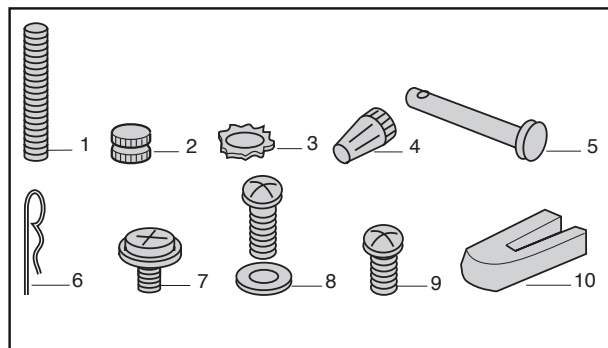
### 1.1

Check to see that you have received the following parts:

**NOTE: If you are uncertain of part description, refer to exploded view illustration below.**

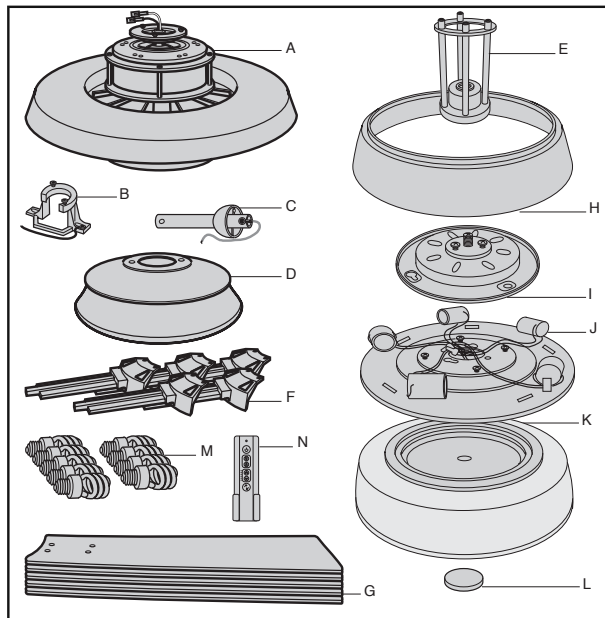
### HARDWARE BAG CONTENTS

Quantity	Description	Quantity
1	Threaded Studs, #8-32 x 1-1/4"	2
2	Knurled Knobs, #8-32	2
3	Lockwashers, External Tooth #8	2
4	Wire Connectors	3
5	Clevis Pin	1
6	Hairpin Clip	1
7	#10-32 x 1/4" Washer Head Blade Screws	21
8	1/4-20 x 3/8" Pan Head Screws with Lockwashers	11
9	#8-32 x 5/16" Pan Head Blade Screw (Spare)	1
10	Blade Balance Kit	1



### PACKAGE CONTENTS

Part	Description	Quantity
A	Fan Motor Assembly	1
B	Hanger Bracket	1
C	Hanger Ball/Downrod Assembly	1
D	Ceiling Canopy	1
E	Motor Coupler Cover Assembly	1
F	Blade Flanges	5
G	Fan Blades	5
H	Upper Glass Shade	1
I	Lower Light Cover	1
J	Lower Light Fixture	1
K	Lower Glass Shade	1
L	Finial Nut	1
M	13W E26 Medium Base CFL	9
N	Transmitter w/Storage Bracket	1



**NOTE: Place the parts from the loose parts bags in a small container to keep them from being lost. If any parts are missing, call 1-800-654-3545 for replacement parts before proceeding.**

### 1.2

Remove the fan motor assembly from the protective plastic bag. Place the fan assembly into the lower foam pad with the bottom of the motor facing up.

The upper foam pad serves as a holder for the fan during the first stages of assembly.

# 1. Unpacking Instructions (continued)

This Manual Is Designed to Make it as Easy as Possible for You to Assemble, Install, Operate and Maintain Your Ceiling Fan

## Tools Needed for Assembly

One Phillips head screwdriver	One stepladder
One 1/4" blade screwdriver	One wire stripper

<u>Installed Wire Length</u>	<u>Wire Size A.W.G.</u>
Up to 50 ft.	14
50-100 ft.	12

## Materials

Wiring outlet box and box connectors must be of type required by the local code. The minimum wire would be a 3-conductor (2-wire with ground) of following size:

### **WARNING**

Before assembling your ceiling fan, refer to section on proper method of wiring your fan (page 12). If you feel you do not have enough wiring knowledge or experience, have your fan installed by a licensed electrician.

# 2. Electrical Requirements

Your new ceiling fan will require a grounded electrical supply line of 120 volts AC, 60 Hz, 15 amp circuit.

### **WARNING**

To reduce the risk of fire, electric shock, or personal injury, mount fan to outlet box marked "Acceptable for Fan Support of 22.7 kg. (50 lbs.) or less", and use screws supplied with outlet box. Most outlet boxes commonly used for support of light fixtures are not acceptable for fan support and may need to be replaced. Consult a qualified electrician if in doubt.

### **WARNING**

Turning off wall switch is not sufficient. To avoid possible electrical shock, be sure electricity is turned off at the main fuse box before wiring. All wiring must be in accordance with National and Local codes and the ceiling fan must be properly grounded as a precaution against possible electrical shock.

The outlet box must be securely anchored and capable of withstanding a load of at least 50 pounds.

If your fan is to replace an existing ceiling light fixture, turn electricity off at the main fuse box at this time and remove the existing light fixture.

### **WARNING**

To avoid fire or shock, follow all wiring instructions carefully.

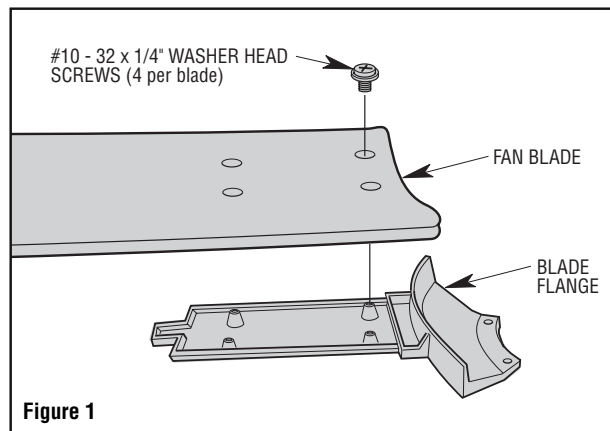
Any electrical work not described in these instructions should be done or approved by a licensed electrician.

## 3. Ceiling Fan Assembly

Please call Emerson technical support at 1-800-654-3545 if you have any questions about installation and operation of this ceiling fan.

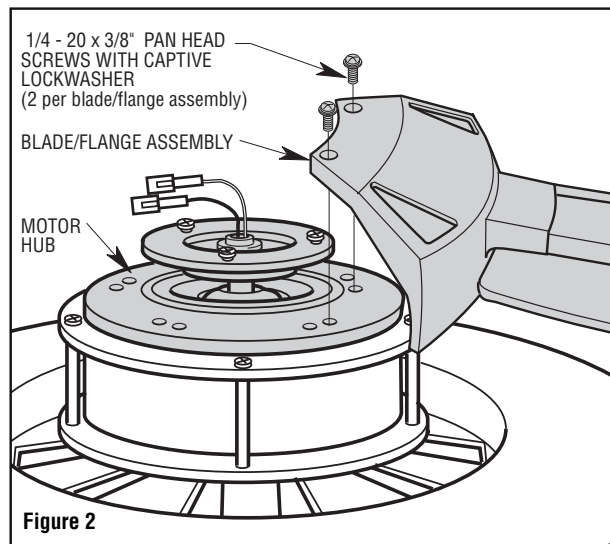
### 3.1

Mount blade flanges to fan blades using four #10 - 32 x 1/4" washer head blade screws (supplied with fan) (Figure 1).



### 3.2

Loosely attach one blade/flange assembly to the motor hub by securing the two 1/4 - 20 x 3/8" pan head screws with captive lockwasher. Make sure the screws are loosely tightened for this step (Figure 2). Repeat this procedure for other four blade assemblies.

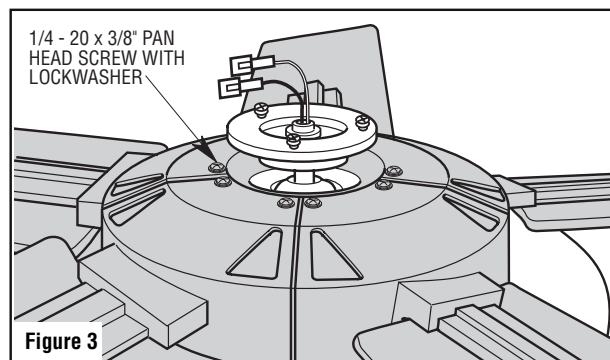


### 3.3

Once all five blade/flange assemblies are secured to the motor hub, completely tighten all the 1/4 - 20 x 3/8" pan head screws with lockwashers at this time (Figure 3).

#### WARNING

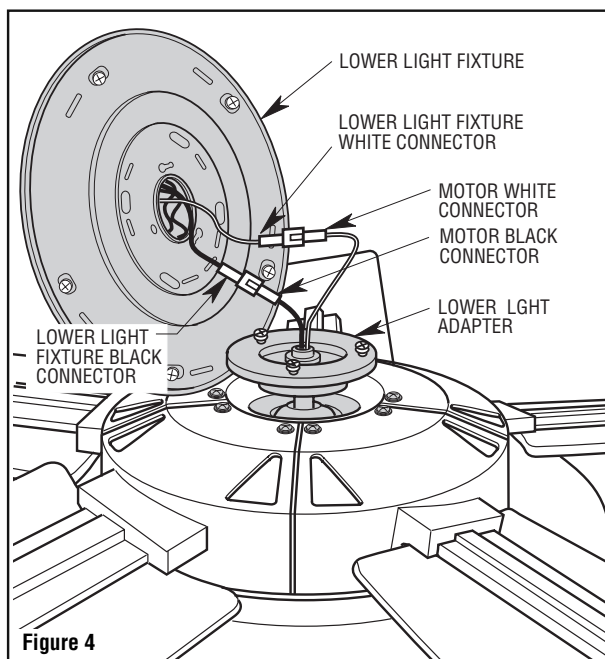
To reduce the risk of personal injury, do not bend the blade flange when installing the blade flanges, balancing the blades or cleaning the fan. Do not insert foreign objects in between rotating fan blades.



## 3. Ceiling Fan Assembly (continued)

### 3.4

Engage the black connector of the lower light fixture with the black motor connector. Engage the white connector of the lower light fixture with the white motor connector. Make sure each connector latches properly (Figure 4).



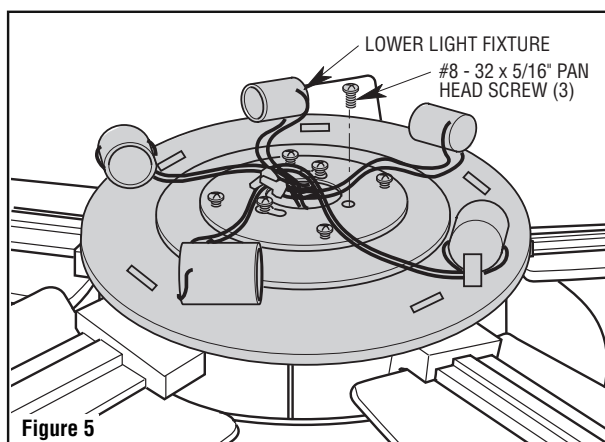
### 3.5

Remove one #8 - 32 x 5/16" pan head screw from the lower light adapter (reserve for later use). Loosen the other two screws to assemble the lower light fixture to the adapter (Figure 5).

### 3.6

Position the light fixture above the adapter and carefully tuck the wires and connectors into the space provided between the fixture and adapter as the fixture is lowered onto the adapter. Align the two loosened screw heads into the key hole slots. Rotate the lower light fixture clockwise to engage both screws. Tighten both screws and reinstall the previously removed screw to secure the fixture (Figure 5).

**NOTE: Be careful not to pinch any wires or connectors between the lower light fixture and the lower light adapter plate.**



## 3. Ceiling Fan Assembly (continued)

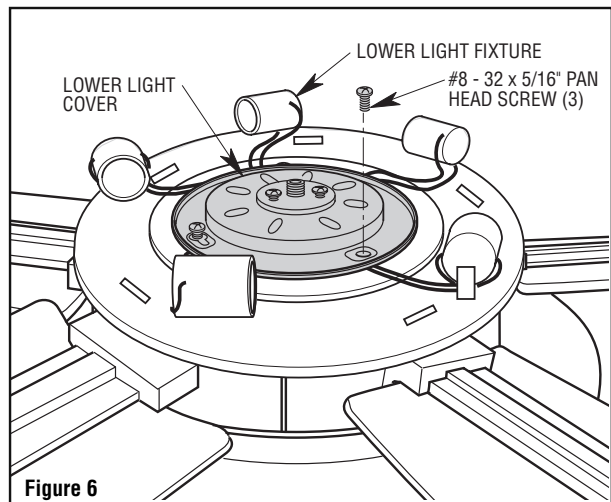
### 3.7

Remove one #8 - 32 x 5/16" pan head screw from the lower light fixture (reserve for later use). Loosen the other three screws to assemble the lower light cover to the fixture (Figure 6).

### 3.8

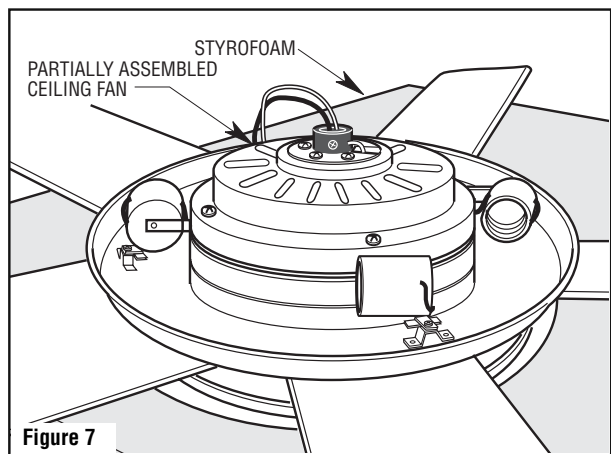
Position the light cover above the fixture and carefully tuck the wires and connectors into the space provided between the cover and fixture as the cover is lowered onto the fixture. Align the three loosened screws heads into the key hole slots on the cover. Rotate the cover clockwise to engage the screw heads. Tighten the screws and reinstall the previously removed screw to secure the cover (Figure 6).

**NOTE: Be careful not to pinch any wires or connectors between the lower light cover and the lower light fixture.**



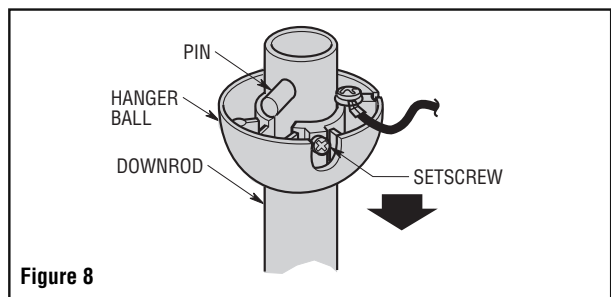
### 3.9

Turn the partially assembled ceiling fan right side up in preparation for final assembly. Carefully place the partially assembled ceiling fan on the styrofoam being careful not to bend the ceiling fan blades (Figure 7).



### 3.10

Remove the hanger ball from the downrod by loosening the setscrew in the hanger ball until the ball falls freely down the downrod (Figure 8). Remove the pin from the downrod, then remove the hanger ball. Retain the pin and hanger ball for reinstallation in Step 3.15.



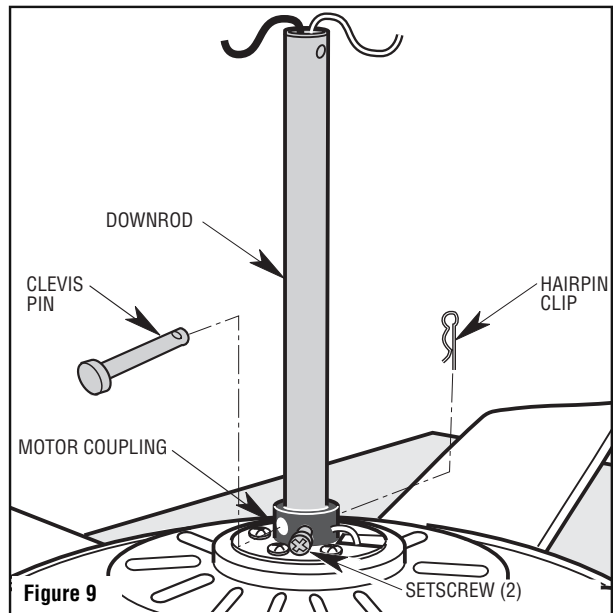
## 3. Ceiling Fan Assembly (continued)

### 3.11

Loosen setscrews in motor coupling to permit the downrod to be installed. Separate, untwist and unkink the three 80" motor leads. Route the motor lead wires through the downrod. Align the clevis pin holes in the downrod with the holes in the motor coupling. Install the clevis pin and secure with the hairpin clip (Figure 9). The clevis pin must go through the holes in the motor coupling and the holes in the downrod. Be sure to push the straight leg of the hairpin clip through the hole near the end of the clevis pin until the curved portion of the hairpin clip snaps around the clevis pin. The hairpin clip must be properly installed to prevent the clevis pin from working loose. Pull on the downrod to make sure the clevis pin is properly installed.

#### **WARNING**

It is critical that the clevis pin in the motor coupling is properly installed and the setscrews securely tightened. Failure to verify that the pin and setscrews are properly installed could result in the fan falling.



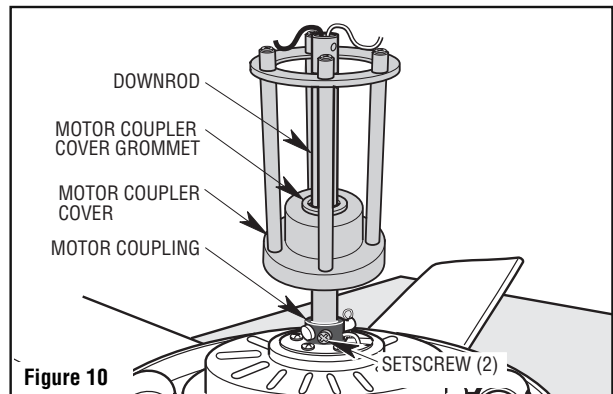
### 3.12

While pulling up on the downrod, securely tighten the two setscrews in the motor coupling (Figure 10).

**NOTE:** The setscrews must be properly installed as described above, or fan wobble could result.

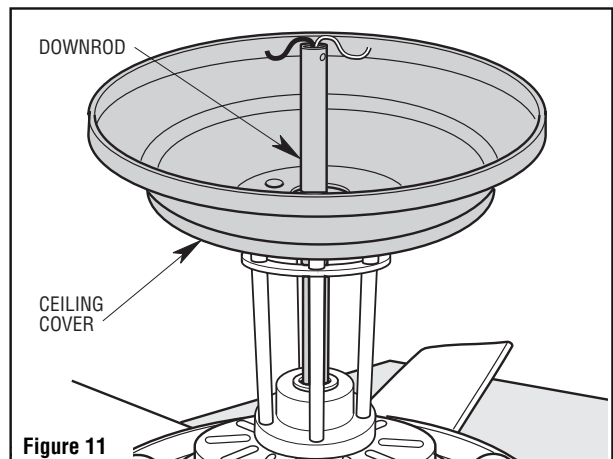
### 3.13

Make sure the grommet is properly installed in the motor coupler cover then slide the motor coupler cover on the downrod until it rests on the motor housing. Be sure the motor coupler cover is oriented correctly (Figure 10).



### 3.14

Place the ceiling cover over the downrod. Be sure the ceiling cover is oriented correctly (Figure 11).





## 3. Ceiling Fan Assembly (continued)

### 3.15

Reinstall the hanger ball (Figure 12) on the downrod as follows. Route the motor leads through the downrod. Position the pin through the two holes in the downrod and align the ball so the pin is captured in the groove in the top of the hanger ball. Pull the hanger ball up tight against the pin and securely tighten the setscrew in the hanger ball. A loose setscrew could create fan wobble.

### 3.16

The fan comes with black and white lead wires that are 80-inches long. Before installing the fan, measure up approximately 6 to 9-inches above top of hanger ball/downrod assembly and cut off excess lead wire and strip back insulation 1/2-inch from end of each lead wire.

#### **WARNING**

It is critical that the pin in the hanger ball is properly installed and the setscrew securely tightened. Failure to verify that the pin and setscrew are properly installed could result in the fan falling.

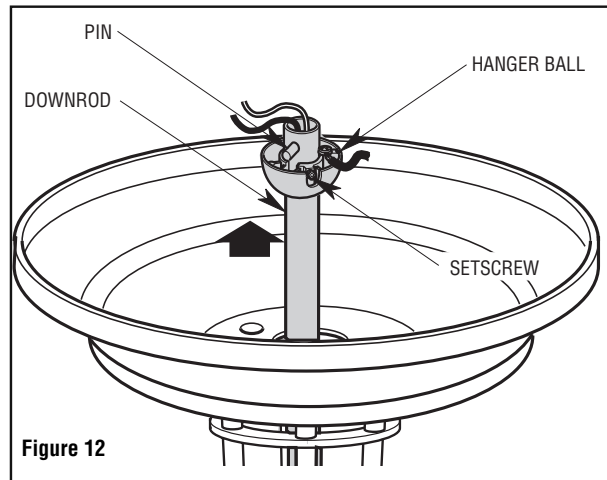


Figure 12

### 3.17

Carefully place the upper glass shade onto the ceiling fan assembly (larger opening up) (Figure 13).

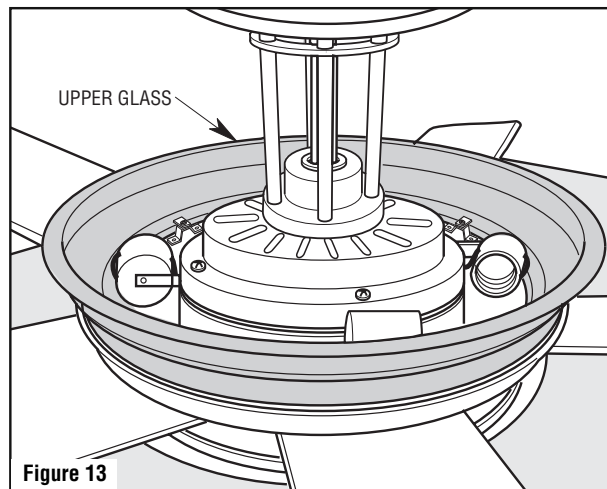


Figure 13

## 3. Ceiling Fan Assembly (continued)

### 3.18

Rotate the four glass shade clamps over the inner edge of the glass shade. Be sure to keep the rubber pad beneath each clamp to ensure proper clamping.

### 3.19

Carefully secure the upper glass shade by gently tightening the four clamp screws (Figure 14).

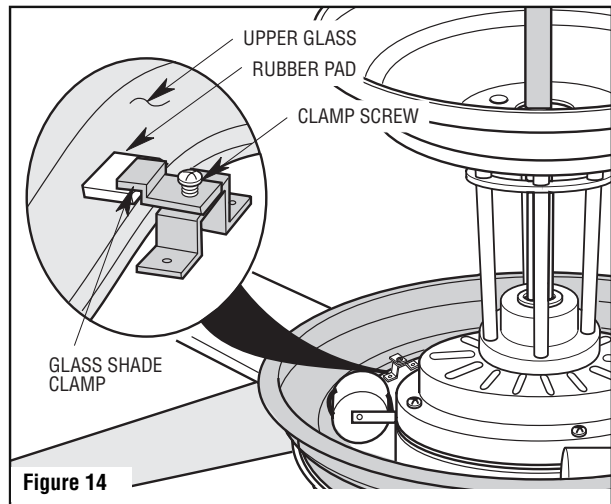


Figure 14

## 4. How to Hang Your Ceiling Fan

### **⚠ WARNING**

The fan must be hung with at least 7' of clearance from floor to blades (Figure 15).

### **⚠ WARNING**

The outlet box and joist must be securely mounted and capable of supporting at least 50 lbs. Use only a U.L. outlet box listed as "Acceptable for Fan Support of 22.7 kg. (50 lbs.) or less".

### **⚠ WARNING**

To reduce the risk of fire, electric shock, or personal injury, mount fan to outlet box marked "Acceptable for Fan Support of 22.7 kg. (50 lbs.) or less", and use screws supplied with outlet box. Most outlet boxes commonly used for support of light fixtures are not acceptable for fan support and may need to be replaced. Consult a qualified electrician if in doubt.

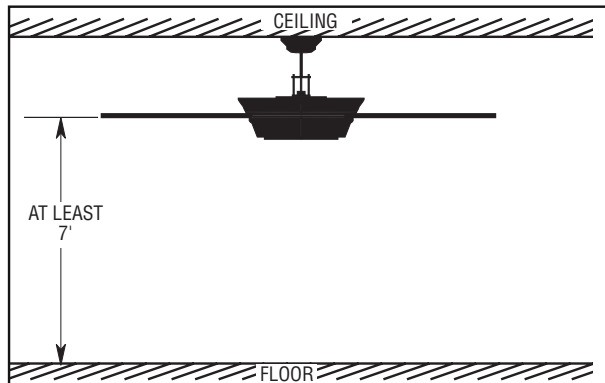


Figure 15

**NOTE: Sloped Ceiling Installation-** The hanger bracket supplied with this fan can accommodate a 35 degree (8:12) pitch ceiling. The hanger ball opening must be positioned to face up towards the peak of the ceiling (Figure 19).

### 4.1

Securely attach the hanger bracket to the outlet box using the two screws supplied with the outlet box. (Figure 16.)

### **⚠ WARNING**

Hanger bracket must seat firmly against outlet box. If the outlet box is recessed, remove wall board until bracket contacts box. If bracket and/or outlet box are not securely attached, the fan could wobble or fall.

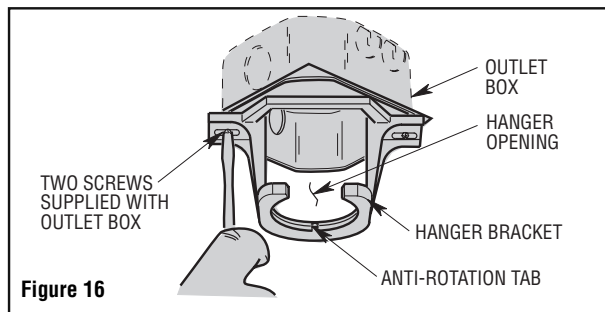


Figure 16

### 4.2

Carefully lift the fan and seat the hanger ball/downrod assembly into the hanger bracket that was just attached to the outlet box (Figure 17). Be sure the groove in the ball is lined up with anti-rotation tab on the hanger bracket (Figure 16).

### **⚠ WARNING**

Failure to seat anti-rotation tab in groove could cause damage to electrical wires and possible shock or fire hazard.

### **⚠ WARNING**

To avoid possible fire or shock, do not pinch wires between the hanger ball/downrod assembly and hanger bracket.

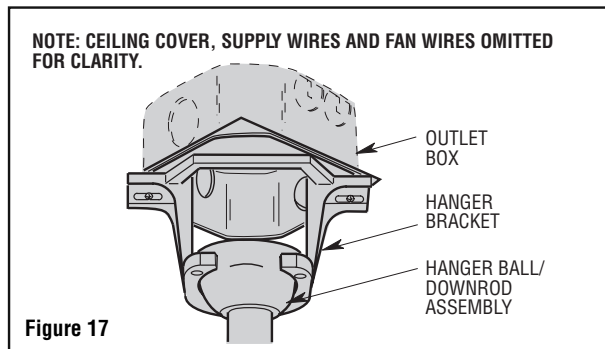


Figure 17

## 5. How to Wire Your Ceiling Fan

If you feel that you do not have enough electrical wiring knowledge or experience, have your fan installed by a licensed electrician.

### 5.1

Connect the green grounding lead from the hanger ball and the green grounding lead from the hanger bracket to the supply grounding conductor (this may be a bare wire or wire with green colored insulation). Securely connect wires with wire connectors supplied.

#### **⚠ WARNING**

To avoid possible electrical shock, be sure electricity is turned off at the main fuse box before wiring.

**NOTE:** If you are not sure if the outlet box is grounded, contact a licensed electrician for advice, as it must be grounded for safe operation.

#### **⚠ WARNING**

This product is designed to use only those parts supplied with this product and/or any accessories designated specifically for use with this product by Emerson Electric Co. Substitution of parts or accessories not designated for use with this product by Emerson Electric Co. could result in personal injury or property damage.

#### **⚠ WARNING**

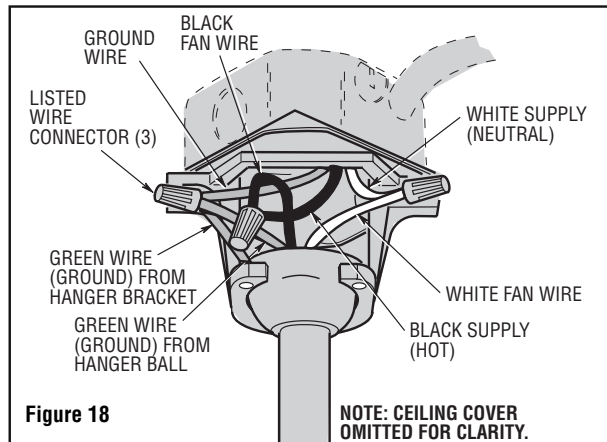
Check to see that all connections are tight, including ground, and that no bare wire is visible at the wire connectors, except for the ground wire. Do not operate fan until blades are in place. Noise and fan damage could result.

### 5.2

Securely connect the fan motor white wire to the supply white (neutral) wire using wire connector supplied (Figure 18). Securely connect the fan motor black wire to the supply black (hot) wire using wire connector supplied (Figure 18).

### 5.3

After connections have been made, turn leads upward and carefully push leads into the outlet box, with the white and green leads on one side of the outlet box and the blue and black leads on the other side of the outlet box.



### 5.4

Screw the two threaded studs (supplied) into the tapped holes in the hanger bracket (Figure 19).

### 5.5

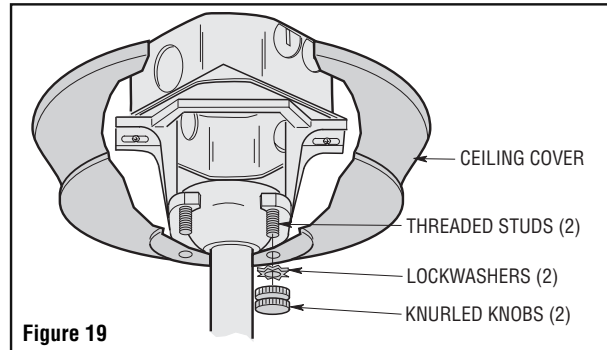
Slide the ceiling cover up the downrod and align the mounting holes with the threaded studs, push the cover onto the studs until they protrude through the cover (Figure 19).

### 5.6

Secure the ceiling cover in place by sliding lockwashers over the threaded studs and installing the two knurled knobs (supplied). (Figure 19). Tighten the knurled knobs securely until the ceiling cover fits snugly against the ceiling and the hole in the ceiling cover is clear of the downrod. Your fan is now wired to be turned on and off from the fan switch.

#### **⚠ WARNING**

To avoid possible fire or shock, make sure that the electrical wires are completely inside the outlet box and not pinched between the ceiling cover and the ceiling.

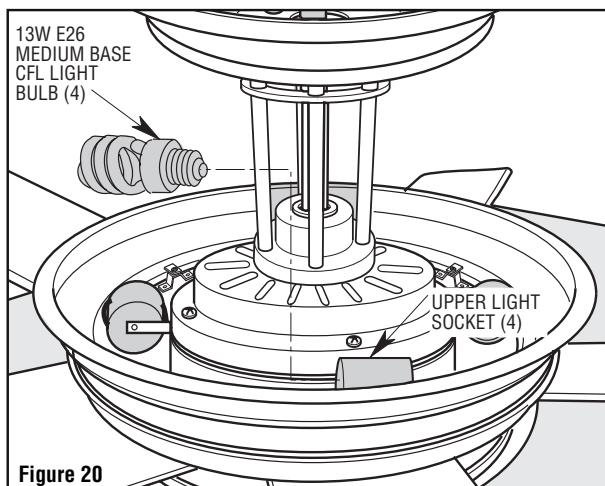


## 6. Installation of Light Bulbs

### 6.1

#### Upper Light Bulb Installation:

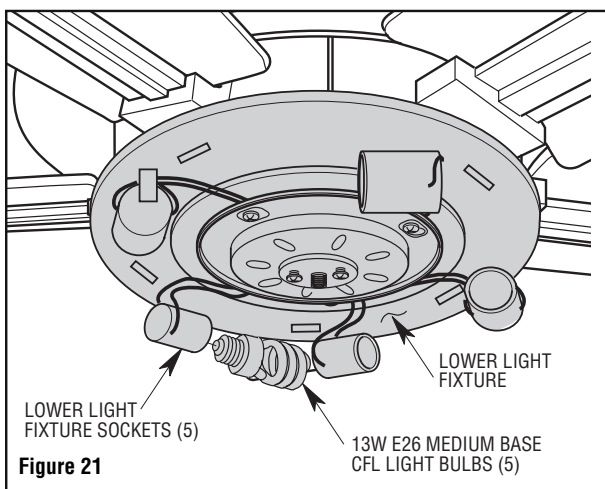
Install the four (supplied) 13W E26 medium base CFL bulbs into the upper light fixture sockets (Figure 20).



### 6.2

#### Lower Light Bulb Installation:

Install the five (supplied) 13W E26 medium base CFL bulbs into the lower light fixture assembly sockets (Figure 21).

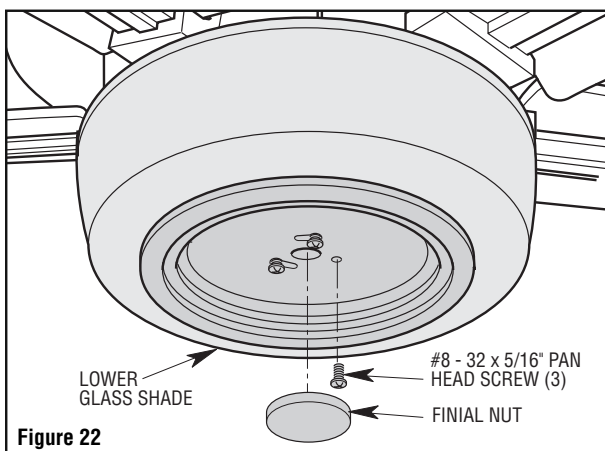


### 6.3

Remove one #8 - 32 x 5/16" pan head screw from the lower light fixture assembly (reserve for later use). Loosen the other two screws to assemble the lower glass shade to the lower light cover (Figure 22).

### 6.4

Place the lower glass shade onto the lower light cover. Rotate the glass shade to engage the the two loosened screws in the two key hole slots. Replace the #8 - 32 x 5/16" pan head screw (removed previously) and tighten all three screws to secure the lower light glass to the lower light assembly Install the finial nut finger tight (Figure 22).



# 7. Transmitter and Receiver Instructions

## 7.1

### General

Your Emerson Ceiling Fan/Light Control consists of wall mounted transmitter and a receiver which is pre-installed inside the motor assembly. The remote control is designed to separately control your ceiling fan speed and lighting.

There are SIX push buttons to set the fan speed, direction, lighting and turn the fan off. The light (💡) push buttons turn the lights on and off and controls the light intensity. The blue indicator light will illuminate while any button is pressed, indicating that the battery is good.

The remote control transmitter is powered by two AAA alkaline batteries (included). To prevent possible damage if the batteries should leak, be sure to remove the batteries when the control is not to be used for an extended period of time.

Code switches in the transmitter may be set in 32 different positions. If your fan and light go on and off without using your control, you may be getting interference from other remote units such as garage door openers, car alarms or security systems. To remedy this situations, simply change the transmitter code per the below section.

## 7.2

### Preset Memory Feature

Your Emerson receiver is equipped with a preset memory feature. If the AC supply to the receiver is powered through a wall switch, when the switch is turned OFF, the control will remember lighting mode, fan speed and direction. When the switch is turned back ON the lighting and fan will resume operation as they were prior to the switch being turned OFF.

## 7.3

### Installation of Battery

1. Remove the battery cover by pressing firmly below the arrow and sliding the cover off the control (Figure 21).
2. Install two AAA alkaline batteries.
3. Re-install the cover.

## 7.4

### Setting Operating Frequency of Transmitter (Figure 21)

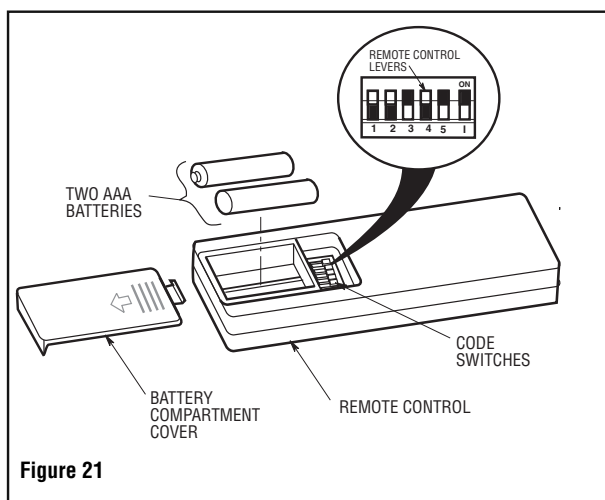
Your remote control transmitter has code switches which must be set in one of 32 possible code combinations. The five levers (numbered 1, 2, 3, 4, and 5) on the switches are factory-set in the ON (up) position. **Do not use this setting.** Change the switch settings as follows:

1. Slide the five switch levers in the remote control (transmitter) to your choice of ON (up) or down positions. Use a ball-point pen or small screwdriver and slide the levers firmly up or down.
2. The sixth switch marked ON and I is for dimming control of lights: Set switch to ON to allow for dimming of the lights. Set switch to I for no dimming of the lights such as for fluorescent bulbs.
3. Reinstall the transmitter battery cover.
4. Restore electrical power to the branch circuit at the circuit breaker or fuse panel.
5. Turn the wall switch "On".

## 7.5

### Installation of Storage Bracket

A storage bracket is provided for holding your remote control when not in use. If you desire to use the bracket and supplied hardware to install it on a wall that is away from excess heat or humidity.



## 8. Programming the Receiver Operating Frequency & High Speed Conditioning of Fan Control

### 8.1

**IMPORTANT:** Ceiling fan blades **MUST** be installed before high speed conditioning can begin.

1. Within 1 minute of restoring electricity to the ceiling fan, push and hold the fan OFF button (⏻) for 3 to 5 seconds to set the code in the receiver. The ceiling fan lights (if installed) will blink to indicate the transmitted has been paired with the receiver.

**IMPORTANT:** Immediately after successful pairing, the ceiling fan will automatically begin high speed conditioning of the motor. During conditioning, the electronic motor control software is calculating speeds for the 2nd through 5th speed settings based on the blades that were installed on the fan.

2. The fan will run for approximately 2 minutes in the upward direction then reverse direction to down flow and run an additional 2 minutes. When conditioning is complete, the fan will come to complete stop.

**IMPORTANT:** Do not interrupt the conditioning until the fan comes to a complete stop in approximately 5 minutes. All functions of the control will be rejected during conditioning.

3. High speed conditioning is now complete.
4. If programming is unsuccessful, retry the above instructions after cycling the wall control ON/OFF switch to restart the 1 minute programming time period.
5. If still unsuccessful, shut off the electricity at the fuse box or breaker panel and change the wall control frequency (page 10). After changing the frequency settings, repeat instruction #1 of this section within one minute of restoring the electricity.
6. Installation of the ceiling fan is now complete. Proceed to the next section to learn how to operate your ceiling fan.

## 9. Remote Control Procedures

### 9.1

#### Operation of Remote Control

##### **IMPORTANT**

Fan installation must be completed, including the installation of the fan blades, before testing of the remote control.

Your remote control has full control of your fan and light (Figure 22).

1. To turn the fan on or off press the (⏻) button.
2. To set the desired fan speed, press the (⏴) button to decrease the speed and the (⏵) to increase the speed. The LED display will light up to indicate the new speed selected.
3. To turn the light on and off, press and release the LIGHT (💡) button. To set the light intensity, press and hold the LIGHT (💡) button. The light will turn on at the previously selected intensity.
4. If airflow is desired in the opposite direction, press the (↺) button on the wall control. The fan must be operating at any speed for the reverse button to function. The blades will turn in the opposite direction and reverse the airflow.

**Note:** If your fan and light go on and off without using your control, you may be getting interference from other remote units such as garage door openers, car alarms or security systems. To remedy this situations, simply change the transmitter code per the below section

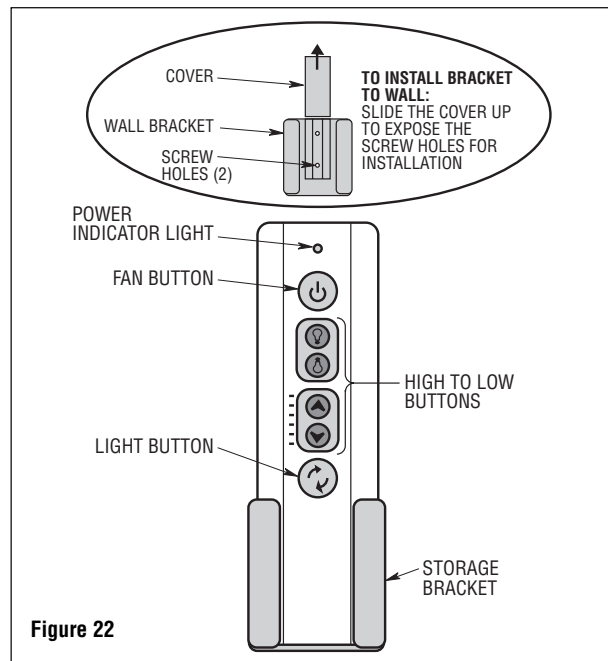


Figure 22

Please call Emerson technical support at 1-800-654-3545 if you have any questions about installation and operation of this ceiling fan.

## 10. Instruction to the User (if device contains a digital device)

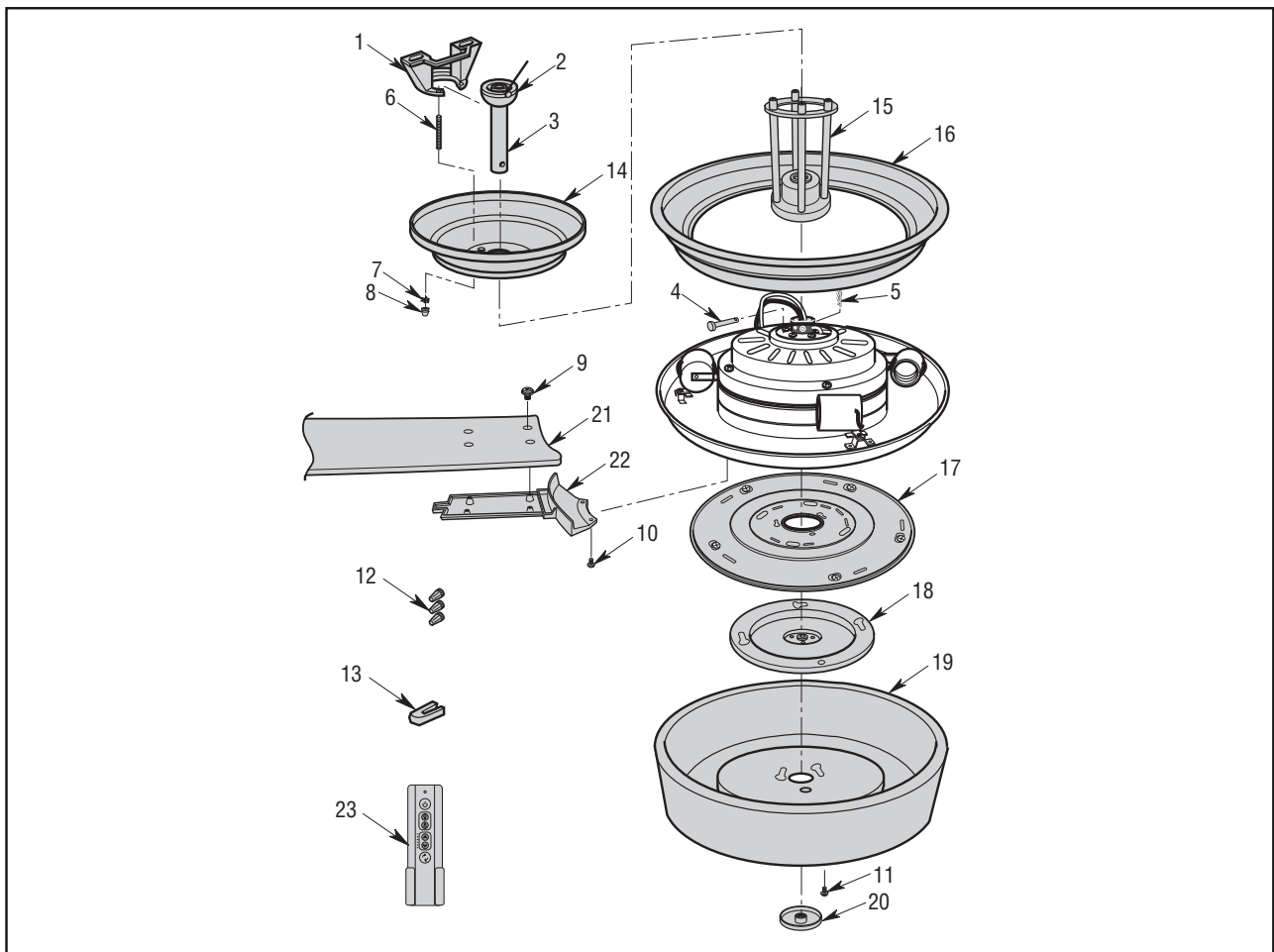
This equipment has been tested and found to comply with the limits for a class B digital device, pursuant to part 15 of the FCC Rules. These limits are designed to provide reasonable protection against harmful interference in a residential installation. This equipment generates, uses and can radiate radio frequency energy and if not installed and used in accordance with the instructions, may cause harmful interference to radio communications. However, there is no guarantee that interference will not occur in a particular installation. If this equipment does cause harmful interference to radio or television reception, which can be determined by turning the equipment off and on, the user is encouraged to try to correct the interference by one or more of the following measures:

- Reorient or relocate the receiving antenna.
- Increase the separation between the equipment and receiver.
- Connect the equipment into an outlet on a circuit different from that to which the receiver is connected.
- Consult the dealer or an experienced radio/TV technician for help.

This equipment has been certified to comply with the limits for a class B computing device, pursuant to FCC Rules. In order to maintain compliance with FCC regulations, shielded cables must be used with this equipment. Operation with non-approved equipment or unshielded cables is likely to result in interference to radio and TV reception. The user is cautioned that changes and modifications made to the equipment without the approval of manufacturer could void the user's authority to operate this equipment.

This Class B digital apparatus meets all requirements of the Canadian Interference-Causing Equipment Regulations.

## 11. Repair Parts





## 11. Repair Parts Listing

Key No.	Description	Model Numbers	
		CF995BS00	CF995VNB00
*	Hanger Ball Assembly, Consisting of:	761655-97	761655-96
1	Hanger Bracket	—	—
2	Hanger Ball	—	—
3	Downrod (10")	—	—
*	Parts Bag Containing:	764458-CHRM	764458-BLOX
4	Pin, Clevis (1)	—	—
5	Clip, Hairpin (1)	—	—
6	Threaded Stud, #8 - 32 x 1-1/4" (2)	—	—
7	Lockwasher, External Tooth #8 (2)	—	—
8	Knurled Knob, #8 - 32 (2)	—	—
9	Screw, Washer Head, #10 - 32 x 1/4" (21)	—	—
10	Screw, Pan Head, 1/4 - 20 x 3/8" with Lockwasher (11)	—	—
11	Screw, Pan Head, #8 - 32 x 5/16" (1)	—	—
12	Wire Connector (3)	—	—
13	Balancing Kit (1)	—	—
14	Ceiling Canopy (1)	764435-BS	764435-VNB
15	Motor Coupler Cover (1)	764436-BS	764436-VNB
16	Upper Glass (1)	764446-OM	764446-VC
17	Lower Light Cover (1)	764453-WW	764453-WW
18	Lower Light Fixture (1)	764442-BS	764442-VNB
19	Lower Glass Shade (1)	764457-OM	764457-VC
20	Finial Nut(1)	764581-BS	764581-VNB
21	Fan Blades (set of 5)	764449-CHG/DM	764449-DM/WA
22	Blade Flanges (set of 5)	764447-BS	764447-VNB
23	Remote Transmitter (1)	SR600	SR600
—	Owner's Manual	BP7479	BP7479

**Before discarding packaging material, be certain all parts have been removed.**

### HOW TO ORDER REPAIR PARTS

WHEN ORDERING REPAIR PARTS, ALWAYS GIVE THE FOLLOWING INFORMATION:

- PART NUMBER                      • NAME OF ITEM
- PART DESCRIPTION              • MODEL NUMBER

The model number of your Fan will be found on a label attached to the top housing.

For repair parts, phone 1-800-654-3545.

## 12. Maintenance

### IMPORTANT CARE INSTRUCTIONS for your Ceiling Fan

Periodic cleaning of your new ceiling fan is the only maintenance that is needed.

When cleaning, use only a soft brush or lint free cloth to avoid scratching the finish.

Abrasive cleaning agents are not required and should be avoided to prevent damage to finish.

### **WARNING**

**Do not use water when cleaning your ceiling fan. It could damage the motor or the blades and create the possibility of an electrical shock.**

# 13. Accessories

1. Ceiling Fan/Light Controls (see store or catalog).
2. Downrod Extension Kits (see store or catalog).
3. Ceiling Fan Light Kits (see store or catalog).

## ⚠ WARNING

The use of any other control not specifically approved for this fan could result in fire, shock and personal injury.

## ⚠ WARNING

This product is designed to use only those parts supplied with this product and/or any accessories designated specifically for use with this product by Emerson Electric Co. Substitution of parts or accessories not designated for use with this product by Emerson Electric Co. could result in personal injury or property damage.

# 14. Trouble Shooting

**⚠ WARNING: FOR YOUR OWN SAFETY TURN OFF POWER AT FUSE BOX OR CIRCUIT BREAKER BEFORE TROUBLE SHOOTING YOUR FAN.**

TROUBLE	PROBABLE CAUSE	SUGGESTED REMEDY
<b>1. Fan will not start.</b>	<ol style="list-style-type: none"> <li>1. Fuse or circuit breaker blown.</li> <li>2. Loose electrical connections to the fan.</li> <li>3. Dead battery in remote transmitter.</li> </ol>	<ol style="list-style-type: none"> <li>1. Check main and branch circuit fuses or circuit breakers.</li> <li>2. Check all wire connections on the fan.</li> <li>▲ <b>WARNING: Make sure main power is turned OFF.</b></li> <li>3. Replace the transmitter batteries with new batteries.</li> </ol>
<b>2. Fan sounds noisy.</b>	<ol style="list-style-type: none"> <li>1. Blades or flanges not tightly fastened to the fan.</li> <li>2. Loose screws in motor housing.</li> <li>3. Lower light fixture connectors are rattling inside the lower light cover.</li> <li>4. Loose ceiling cover, hanger bracket or electrical outlet box.</li> </ol>	<ol style="list-style-type: none"> <li>1. Check all blade and flange screws for tightness.</li> <li>2. Check to make sure all screws in motor housing are snug (not over-tight).</li> <li>3. Reposition the connectors and carefully reassemble the cover</li> <li>▲ <b>WARNING: Make sure main power is turned OFF.</b></li> <li>4. Check the ceiling cover and hanger bracket are tight on the electrical outlet box and the box is tightly attached to the building structure.</li> </ol>
<b>3. Fan wobbles excessively.</b>	<ol style="list-style-type: none"> <li>1. Setscrew in motor coupling is loose.</li> <li>2. Setscrew in hanger ball/downrod assembly is loose.</li> <li>3. Blades or flanges not tightly fastened to the fan.</li> <li>4. Hanger bracket and/or ceiling outlet box is not securely fastened.</li> <li>5. Fan blades out of balance.</li> </ol>	<ol style="list-style-type: none"> <li>1. Tighten both setscrews securely in the motor coupling.</li> <li>2. Tighten the setscrew in the hanger ball/downrod assembly.</li> <li>3. Check all blade and flange screws for tightness.</li> <li>4. Tighten the hanger bracket screws to the outlet box, and/or secure outlet box.</li> <li>▲ <b>WARNING: Make sure main power is turned OFF.</b></li> <li>5. Interchange an adjacent (side-by-side) blade pair to redistribute the weight. Locate the supplied blade balancing kit and follow the included instructions.</li> </ol>

# Emerson Air Comfort Ceiling Fan Limited Warranty

## **What The Limited Warranty Covers:**

This limited warranty is offered by Air Comfort Products division of Emerson Electric Co. ("Emerson" "we" or "us") located at the address stated below to the original retail purchaser ("you" or "your") of an Emerson Air Comfort Ceiling Fan product ("Emerson Ceiling Fan") and covers the motor and the other components and accessories of the Emerson Ceiling Fan against all defects in workmanship and materials.

## **What The Period Of Coverage Is:**

This limited warranty will cover the Emerson Ceiling Fan motor for the expected lifetime of your Emerson Ceiling Fan (when operated in accordance with your Owner's Manual or other instructions provided by Emerson to you with the Emerson Ceiling Fan). All other components and accessories of the Emerson Ceiling Fan are covered by this limited warranty for a period of one (1) year from its date of original retail purchase. ANY IMPLIED WARRANTY, INCLUDING WITHOUT LIMITATION, ANY IMPLIED WARRANTY OF MERCHANTABILITY OR FITNESS FOR A PARTICULAR PURPOSE THAT IS AVAILABLE TO YOU UNDER THE LAWS OF YOUR STATE OR PROVINCE SHALL COVER THE MOTOR FOR THE EXPECTED LIFETIME OF THE MOTOR (SUBJECT TO PROPER USE), AND FOR ONE YEAR WITH RESPECT TO COMPONENTS AND ACCESSORIES.

## **No Other Express or Implied Warranty Applies:**

THE LIMITED WARRANTIES PROVIDED ABOVE ARE THE SOLE AND EXCLUSIVE WARRANTIES PROVIDED BY EMERSON TO YOU FOR YOUR EMERSON CEILING FAN, AND ARE IN LIEU OF ALL OTHER WARRANTIES, WRITTEN OR ORAL, EXPRESS OR IMPLIED, WHETHER ARISING BY OPERATION OF LAW OR OTHERWISE, WHETHER OR NOT THE PURPOSE HAS BEEN DISCLOSED AND WHETHER OR NOT THE EMERSON CEILING FAN HAS BEEN SPECIFICALLY DESIGNED OR MANUFACTURED FOR YOUR USE OR PURPOSE. EMERSON HEREBY DISCLAIMS ANY AND ALL IMPLIED WARRANTIES, INCLUDING WITHOUT LIMITATION, IMPLIED WARRANTIES OF MERCHANTABILITY OR FITNESS FOR A PARTICULAR PURPOSE FOR COMPONENTS AND ACCESSORIES AS OF THE EXPIRATION OF THE ONE YEAR WARRANTY PERIOD FOR SUCH COMPONENTS AND ACCESSORIES. IMPLIED WARRANTIES OF MERCHANTABILITY OR FITNESS FOR A PARTICULAR PURPOSE FOR THE MOTOR PORTION OF THE EMERSON CEILING FAN ARE LIKEWISE DISCLAIMED BY EMERSON AT SUCH TIME THAT THE EXPECTED LIFETIME OF THE EMERSON CEILING FAN UNDER NORMAL USAGE HAS BEEN REACHED. EXCLUSIONS OR LIMITATIONS OF IMPLIED WARRANTIES MAY VARY FROM STATE TO STATE AND PROVINCE TO PROVINCE SO THE ABOVE LIMITATIONS MAY NOT APPLY TO YOU.

## **What We Will Do To Correct Problems:**

If during the one (1) year warranty period the motor or any component or accessory of your Emerson Ceiling Fan is defective in materials or workmanship, or if during the expected lifetime of the Emerson Ceiling Fan (when used in accordance with the User Manual or other instructions) the motor is defective in materials or workmanship, you must contact Emerson during the applicable warranty period. If the defect is covered by warranty, Emerson will repair or replace the defective motor, component or other accessory at no charge to you. If repair of the motor, component or accessory is not practical or possible within a reasonable time and no replacement Emerson Ceiling Fan can be provided, Emerson will refund to you the actual purchase price of your Emerson Ceiling Fan. We will ship the repaired or the replacement Emerson Ceiling Fan to you at no charge, but you are responsible for all costs of removal and reinstallation of your Emerson Ceiling Fan.

## **How You Can Receive Warranty Service:**

You must be the original retail purchaser and have proof of your purchase of the Emerson Ceiling Fan to obtain your remedy under this limited warranty. You can return your Emerson Ceiling Fan to your place of purchase, or you can call Emerson Customer Service at 1-800-237-6511 to obtain a return authorization and service identification tag. In order for us to confirm that your Emerson Ceiling Fan is still under warranty, please retain your receipt or other proof of purchase and have that information readily available when returning your Emerson Ceiling Fan to your place of purchase, or upon calling Emerson Customer Service. If you call Emerson Customer Service, prior to your call please be prepared to provide all model numbers shown on your Emerson Ceiling Fan. Once we have processed your return authorization request, we will provide you with a postage paid return label which should be affixed to the Emerson Ceiling Fan package you ship to the address listed at the end of this limited warranty. The return label will be sent to the mailing address you provide to us by phone.

## **What Is Not Covered:**

### **This limited warranty does not extend to and expressly excludes:**

- The glass globes and light bulbs of your Emerson Ceiling Fan,
- Loss or damage to the motor or any component or accessory caused by normal wear and tear, rather than due to defects in materials or workmanship,
- Loss or damage resulting from conditions beyond our reasonable control, including without limitation, repairs not made at our factory or authorized service center, use of parts or accessories not provided to you as part of this warranty by our factory or authorized service center, mishandling, unreasonable use, misuse, abuse, modifications or other damage caused by you or a third party to your Emerson Ceiling Fan while not in our possession,
- Loss or damage resulting from improper installation, or other failure to comply with instructions in your Owner's Manual.

This limited warranty is deemed null and void upon the occurrence of either of the following events:

- You cease to own the Emerson Ceiling Fan product, or
- The Emerson Ceiling Fan is moved from its original point of installation.

This limited warranty is only valid within the 50 United States, the District of Columbia, and Canada. No other written or oral warranties apply, and no employee, agent, dealer or other person is authorized to give any warranties on behalf of Air Comfort Products or Emerson Electric Co.

## **Limitation of Liability**

REPAIR, REPLACEMENT OR A REFUND ARE THE EXCLUSIVE REMEDIES AVAILABLE TO YOU UNDER THIS LIMITED WARRANTY. TO THE EXTENT PERMITTED BY LAW, IN NO EVENT SHALL EMERSON OR ANY EMERSON AUTHORIZED DEALER BE LIABLE FOR ANY INCIDENTAL, SPECIAL, INDIRECT, OR CONSEQUENTIAL DAMAGES, INCLUDING ANY ECONOMIC LOSS, WHETHER RESULTING FROM NONPERFORMANCE, USE, MISUSE OR INABILITY TO USE THE EMERSON CEILING FAN OR FOR THE NEGLIGENCE OF EMERSON OR AN EMERSON AUTHORIZED DEALER. EMERSON SHALL NOT BE LIABLE FOR DAMAGES CAUSED BY DELAY IN PERFORMANCE AND IN NO EVENT, REGARDLESS OF THE FORM OF THE CLAIM OR CAUSE OF ACTION (WHETHER BASED IN CONTRACT, INFRINGEMENT, NEGLIGENCE, STRICT LIABILITY, OTHER TORT OR OTHERWISE), SHALL EMERSON'S OR ANY EMERSON AUTHORIZED AGENT'S LIABILITY TO YOU OR ANY INDIVIDUAL USING THE EMERSON CEILING FAN EXCEED THE PRICE PAID BY THE ORIGINAL OWNER FOR THE EMERSON CEILING FAN. The term "consequential damages" shall include, but not be limited to, loss of anticipated profits, business interruption, loss of use or revenue, cost of capital or loss or damage to property or equipment.

## **How State and Provincial Law Relates To The Warranty:**

Some states and provinces do not allow the exclusion or limitation of incidental or consequential damages so the above exclusion or limitation may not apply to you. This limited warranty gives you specific legal rights, and you may also have other rights which vary from state to state or province to province.

emersonfans.com

Please contact 1-800-654-3545 for further assistance

ETL Model No.: CF995



# EMERSON™

## **Air Comfort Products**

DIVISION OF EMERSON ELECTRIC CO.  
8100 W. Florissant • St. Louis, MO 63136

Questions, problems, missing parts: Before returning to the store call  
Emerson Electric Customer Service  
8 a.m. - 6 p.m., Eastern, Monday-Friday

**1-800-654-3545**

**[www.emersonfans.com](http://www.emersonfans.com)**

Retain this manual for future use.