

LIMITED WARRANTY

What The Warranty Covers:

All products covered by this Owner's Manual are warranted against all defects in workmanship and materials. You must be the original purchaser or user of the product to be covered.

What The Period Of Coverage Is:

All components are covered by this warranty for one year from the date you purchased your light fixture. ANY IMPLIED WARRANTY OF MERCHANTABILITY OR FITNESS FOR A PARTICULAR PURPOSE, MADE WITH RESPECT TO COMPONENTS AND ACCESSORIES IS ALSO LIMITED TO ONE YEAR.

What Will Emerson Electric Co. Do To Correct Problems:

Emerson Electric Co. will replace a defective Emerson Light Fixture at no charge to you. **WE WILL SHIP THE REPAIRED PRODUCT OR REPLACEMENT TO YOU AT NO CHARGE, BUT YOU ARE RESPONSIBLE FOR ALL COSTS OF REMOVAL, REINSTALLATION AND SHIPPING OF THE PRODUCT TO EMERSON ELECTRIC CO.**

How Can You Get Service:

YOU MUST HAVE PROOF OF YOUR PURCHASE OF THE LIGHT FIXTURE TO OBTAIN LIMITED WARRANTY SERVICE. KEEP YOUR RECEIPT OR OTHER PROOF OF PURCHASE. You can return the product to our factory or to your nearest authorized service center.

- To return the product to the factory, obtain a return authorization and service identification tag by writing to Air Comfort Products, Division of Emerson Electric Co., 8100 W. Florissant Ave., St. Louis, MO 63136. Include all model numbers shown on the product with your request.
- To return the product to an authorized service center, call 1-800-654-3545 for the address of the nearest authorized service center.

You will be responsible for all insurance, freight or other transportation charges to our factory or authorized service center. Your Emerson Light Fixture should be properly packed to avoid damage in transit since we will not be responsible for any such damage.

What Is Not Covered:

This warranty also does not cover any defects, malfunctions or failures caused by:

- Repairs by persons not authorized by Emerson Electric Co.,
- Use of parts or accessories not authorized by Emerson Electric Co.,
- Mishandling, improper installation, modifications or damage to your light fixture while in your possession, or
- Unreasonable use, misuse, abuse, including failing to do reasonable and necessary maintenance, and normal wear and tear.

Additionally, this warranty and any implied warranty of merchantability or fitness for a particular purpose are voided when:

- The original purchaser or user ceases to own the product, or
- The ceiling fan is moved from its original point of installation.

This warranty is only valid within the 50 states of the United States and the District of Columbia. No other written or oral warranties apply, and no employee, agent, dealer or other person is authorized to give any warranties on behalf of Emerson Electric Co.

REPAIR, REPLACEMENT OR A REFUND ARE THE EXCLUSIVE REMEDIES AVAILABLE UNDER THIS WARRANTY AND EMERSON IS NOT RESPONSIBLE FOR DAMAGES OF ANY KIND, INCLUDING INCIDENTAL AND CONSEQUENTIAL DAMAGES. Incidental damages include but are not limited to such damages as loss of time and loss of use. Consequential damages include but are not limited to the cost of repairing or replacing other property which was damaged if this product does not work properly.

How State Law Relates To The Warranty:

Some states do not allow the exclusion or limitation of incidental or consequential damages so the above exclusion or limitation may not apply to you. This warranty gives you specific legal rights, and you may also have other rights which vary from state to state.



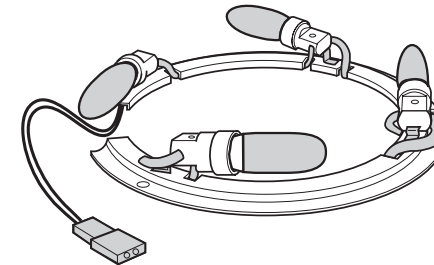
Air Comfort Products

DIVISION OF EMERSON ELECTRIC CO.
8100 W. Florissant • St. Louis, MO 63136

Part No. BP7431-1
Form No. F40BP74310001

Printed in China 11/11

READ AND SAVE THESE INSTRUCTIONS



Ceiling Fan Accent Light Fixture Owner's Manual

Model Number:

AL100

Four 25-Watt Candelabra Base Bulbs

Net Weight: 0.62 Lbs.

Form No. F40BP74310001

Part No. BP7431-1
ETL Model No.: AL100

⚠ WARNING

Safety Instructions

To avoid fire, shock, and serious personal injury, follow all instructions carefully.

1. Read your Owner's Manual carefully before installing the light fixture. Retain Owner's Manual for future reference.
2. Be careful of the fan and blades when cleaning, painting, or working near the fan. Before installing or servicing the light fixture or ceiling fan, switch power off at service panel and lock service panel disconnecting means to prevent power from being switched on accidentally. When the service disconnecting means cannot be locked, securely fasten a warning device, such as a tag, to the service panel.
3. Do not exceed the wattage indicated on fixture (Four 25-watt candelabra base light bulbs).

ADDITIONAL SAFETY INSTRUCTIONS FOR INSTALLATION

1. To avoid possible electrical shock be sure electricity is turned off at the main fuse or circuit breaker box before wiring.
2. The installation is to be in accordance with the National Electrical Code, ANSI/NFPA 70-2008 and Local Codes. Use the National Electrical Code if Local Codes do not exist. The ceiling fan must be grounded as a precaution against possible electrical shock. Electrical installation should be made or approved by a licensed electrician.
3. Make certain no bare wires are exposed outside the wire connectors.
4. All wiring must conform to national and local electrical codes.
5. Follow the recommended instructions for the proper method of wiring your new light fixture. If you feel you do not have enough electrical wiring knowledge or experience, have your light fixture installed by a licensed electrician. Any electrical work not described in this manual should be performed by a licensed electrician.

WARNING: To reduce the risk of possible fire and electrical shock, install only on Emerson Models CF921 and CF901 Ceiling Fans.

Trouble Shooting

TROUBLE	PROBABLE CAUSE	SUGGESTED REMEDY
1. The Lamp Will Not Illuminate.	1. Wiring not complete.	1. Check all wiring connections to light kit and fan.
	2. Light bulbs do not light.	2. Check and replace light bulbs.

Installation for Ceiling Fan CF901

1. Position the light kit assembly so that the opening of the light kit assembly slides through the downrod. Align the female connector of the light kit assembly with the male connector of the motor housing assembly (Figure 1).
2. Align the mounting holes of the light kit assembly to the motor assembly (Figure 1).

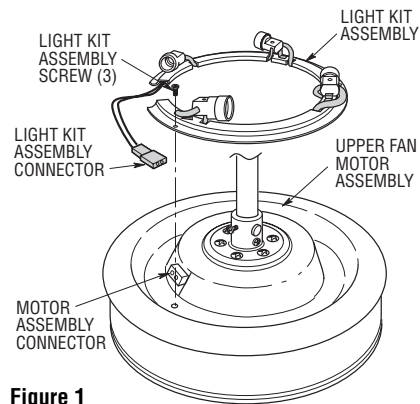


Figure 1

NOTE: Be sure the light kit assembly connector is located close to the motor assembly connector for ease of installation.

3. Install the light kit assembly to the motor assembly using three light kit assembly mounting screws (Figure 1).
4. Securely connect the light kit assembly connector to the motor assembly connector (Figure 1).

5. For storage of excess wire, gather the extra light kit assembly wire and carefully tuck into the access hole of the light kit assembly (Figure 2).

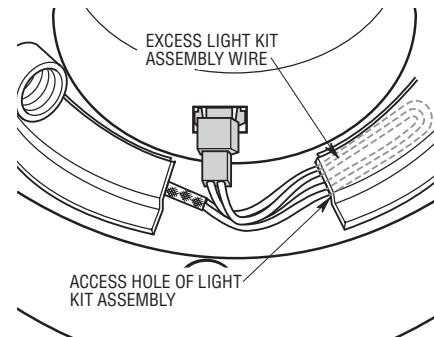


Figure 2

6. Screw the four 25-watt candelabra base bulbs (supplied) into the light kit assembly sockets (Figure 3).

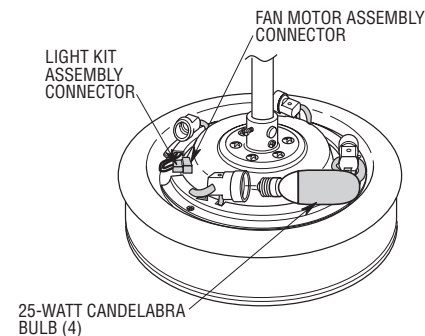



Figure 3

 WARNING
<p>To avoid possible fire hazard, do not exceed four 25-watt candelabra base light bulbs.</p>

Installation for Ceiling Fan CF921

1. Remove the three coupling cover screws and slide the coupling cover up the downrod for installation of light kit assembly (Figure 4). Retain the three screws for later installation of coupling cover.

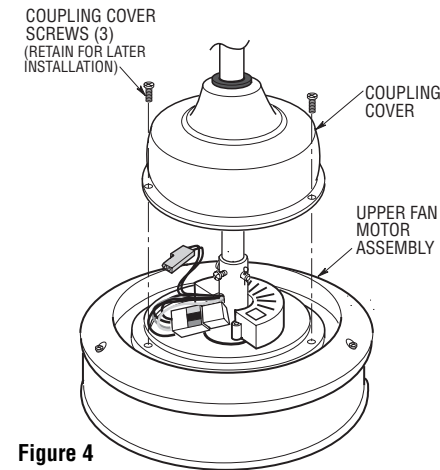


Figure 4

2. Position the light kit assembly so that the opening of the light kit assembly slides through the downrod. Align the mounting holes of the light kit assembly to the motor assembly (Figure 5).

NOTE: Be sure the light kit assembly connector is located close to the motor assembly connector for ease of installation.

3. Install the light kit assembly to the motor assembly using three light kit assembly mounting screws (Figure 5).

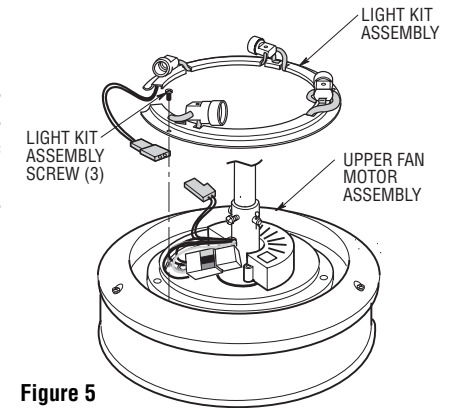



Figure 5

4. Securely connect the light kit assembly connector to the motor assembly connector (Figure 5).

5. Screw the four 25-watt candelabra base bulbs (supplied) into the light kit assembly sockets (Figure 6).

 WARNING
<p>To avoid possible fire hazard, do not exceed four 25-watt candelabra base light bulbs.</p>

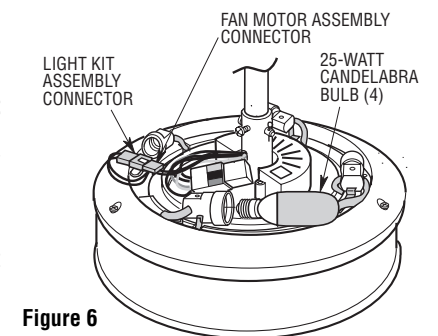


Figure 6

6. Carefully tuck all wiring and wire connectors close to the downrod and slide the coupling cover over the wires.

NOTE: Be sure light kit assembly wires are positioned in the dimpled wireway of the upper housing to avoid pinching of the wires during installation of coupling cover.

⚠ WARNING

To avoid fire or electrical shock, be careful not to pinch wires between the housing and coupling cover.

CAUTION: Before installing and tightening the screws, be sure there are no wires pinched between the light kit assembly/motor assembly and coupling cover.

7. Reinstall the three coupling cover screws to secure the coupling cover (Figure 7).

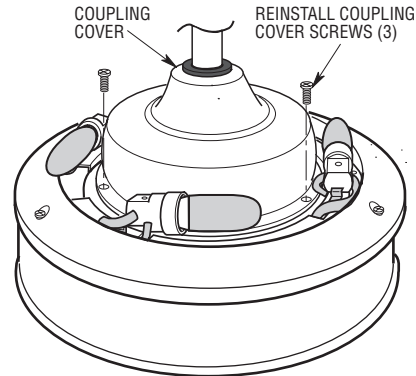


Figure 7

Assembly and Installation

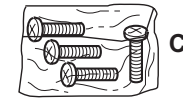
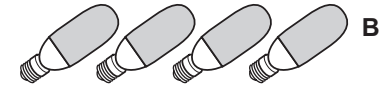
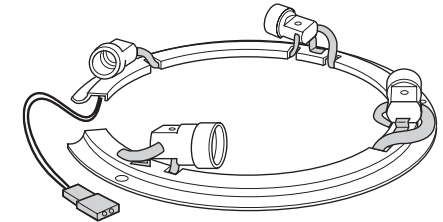
⚠ WARNING

Do not install or use the light fixture if any part is missing or damaged. Contact your dealer for replacement.

Check to see that you have received the following parts:

⚠ WARNING

To avoid possible electrical shock, be sure electricity is turned off at the main fuse or circuit breaker before wiring.



NOTE: If you are uncertain of part description, refer to exploded view illustration.

- a. Light Kit Assembly
- b. Four 25-Watt Candelabra Bulbs
- c. One Loose Parts Bag Containing:
Four #8-32 x 8mm Pan Head
Screws (1 spare)