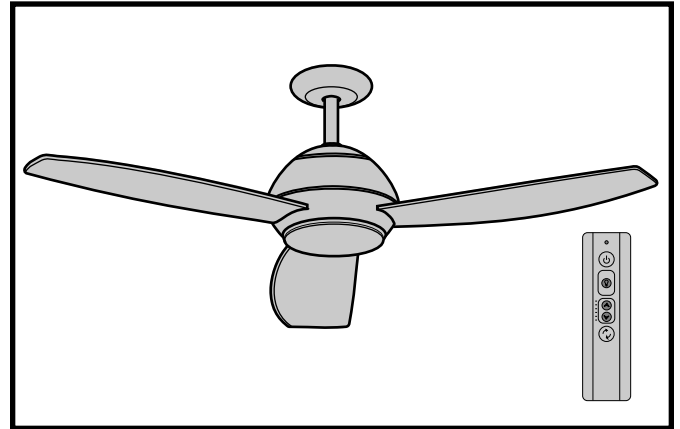


READ AND SAVE THESE INSTRUCTIONS

CONTEMPORARY



CURVA™

44" & 52" Damp & Wet Location Snugger Ceiling Fan Owner's Manual

**44" Model Numbers
for Damp Locations**

CF244BS00
Brushed Steel

**44" Model Numbers
for Wet Locations**

CF244GRT00
Graphite

CF244ORB00
Oil Rubbed Bronze

CF244WW00
Appliance White

Net Weight: 18.3 Lbs.

**52" Model Numbers
for Damp Locations**

CF252BS00
Brushed Steel

**52" Model Numbers
for Wet Locations**

CF252GRT00
Graphite

CF252ORB00
Oil Rubbed Bronze

CF252WW00
Appliance White

Net Weight: 19.2 Lbs.

Questions, problems, missing parts: Before returning to the store call
Emerson Electric Customer Service
8 a.m. - 6 p.m., Eastern, Monday-Friday

1-800-654-3545

www.emersonfans.com

Table of Contents

Section	Page	Section	Page
Safety Instructions	2	10. Accessories	21
1. Unpacking Instructions	3-4	11. Light Kit Circuit Breaker	21
2. Electrical Requirements	4	12. Troubleshooting	22
3. Ceiling Fan Assembly	5-9	13. Remote Control Troubleshooting	23
4. How to Hang Your Ceiling Fan	10-11	14. Energy Efficient Use of Ceiling Fan	23
5. How to Wire Your Ceiling Fan	12-15	15. Repair Parts	24-25
6. How to Assemble Your Light Kit Glass Shade	16	Ceiling Fan Limited Warranty	27
7. How to Assemble Your No Light Cover Plate	17	Spanish	29
8. Remote Control Procedures	18-20	French	57
9. Maintenance	21		

READ AND SAVE THESE INSTRUCTIONS

Safety Instructions

WARNING

TO REDUCE THE RISK OF FIRE, ELECTRICAL SHOCK, OR INJURY TO PERSONS, OBSERVE THE FOLLOWING:

- Use this unit only in a manner intended by the manufacturer. If you have questions, contact the manufacturer.
- Before servicing or cleaning unit, switch power off at service panel and lock service panel disconnecting means to prevent power from being switched on accidentally. When the service disconnecting means cannot be locked, securely fasten a warning device, such as a tag, to the service panel.

- Read your owner's manual carefully and keep it for future reference.
- Be careful of the fan and blades when cleaning, painting, or working near the fan. Always turn off the power to the ceiling fan before servicing.
- Do not put anything into the fan blades while they are turning.
- Do not operate reversing switch until fan blades have come to a complete stop.

Additional Safety Instructions for Installation

- To avoid possible shock, be sure electricity is turned off at the fuse box before wiring, and do not operate fan without blades.
- All wiring must be in accordance with the National Electrical Code "ANSI/NFPA 70-2014" and Local Electrical Codes. Use the National Electrical Code if Local Codes do not exist. The ceiling fan must be grounded as a precaution against possible electrical shock. Electrical installation should be made or approved by a licensed electrician.

- The outlet box and joist must be securely mounted and capable of reliably supporting at least 50 pounds. Use only U.L. outlet boxes listed as "Acceptable for Fan Support of 22.7 kg. (50 lbs.) or less", and use the mounting screws provided with the outlet box. Most outlet boxes commonly used for support of light fixtures are not acceptable for fan support and may need to be replaced. Consult a qualified electrician if in doubt.
- The downrod furnished with the fan provides the minimum recommended floor to fan blade clearance for an 8 foot ceiling.
- The fan must be mounted with the fan blades at least 7 feet from the floor to prevent accidental contact with the fan blades.
- Follow the recommended instructions for the proper method of wiring your ceiling fan. If you do not know enough about electrical wiring, have your fan installed by a licensed electrician.

NOTE: This fan is suitable for use with solid-state speed controls.

NOTE: All setscrews must be checked and re-tightened where necessary before installation.

WARNING

To reduce the risk of electrical shock, this fan must be installed with an isolating wall control/switch.

To reduce the risk of fire or electrical shock, this fan should only be used with fan speed control, Model No. UC8013R, manufactured by Rhine Electric Co., Ltd.

To avoid fire, shock or injury, do not use an Emerson or any other brand of control not specifically approved for this fan.

This product is designed to use only those parts supplied with this product and/or any accessories designated specifically for use this product by Emerson Electric Co. Substitution of parts or accessories not designated for use with this product by Emerson could result in personal injury or property damage.

To reduce the risk of personal injury, do not bend the blade flange when installing the blade flanges, balancing the blades or cleaning the fan. Do not insert foreign objects in between rotating fan blades.

1. Unpacking Instructions

⚠ WARNING

Do not install or use fan if any part is damaged or missing. Call Toll-Free:

1-800-654-3545

⚠ WARNING

This product is designed to use only those parts supplied with this product and/or any accessories designated specifically for use with this product by Emerson Electric Co. Substitution of parts or accessories not designated for use with this product by Emerson Electric Co. could result in personal injury or property damage.

1.1

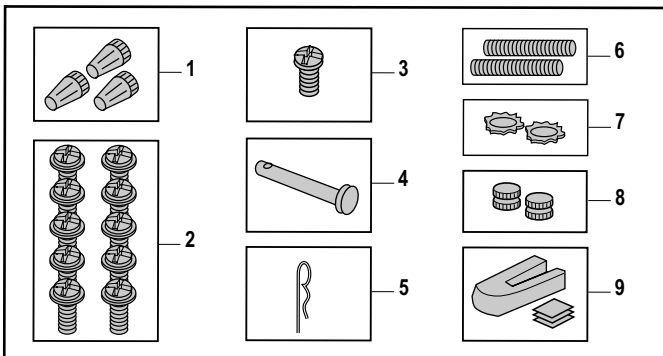
Open carton containing fan. Remove top half of styrofoam unit. Remove parts and check to see that you have received the following parts:

NOTE: If you are uncertain of part description, refer to exploded view illustration.

NOTE: Place the parts from the loose parts bags in a small container to keep them from being lost. If any parts are missing, contact your local retailer or catalog outlet for replacement before proceeding.

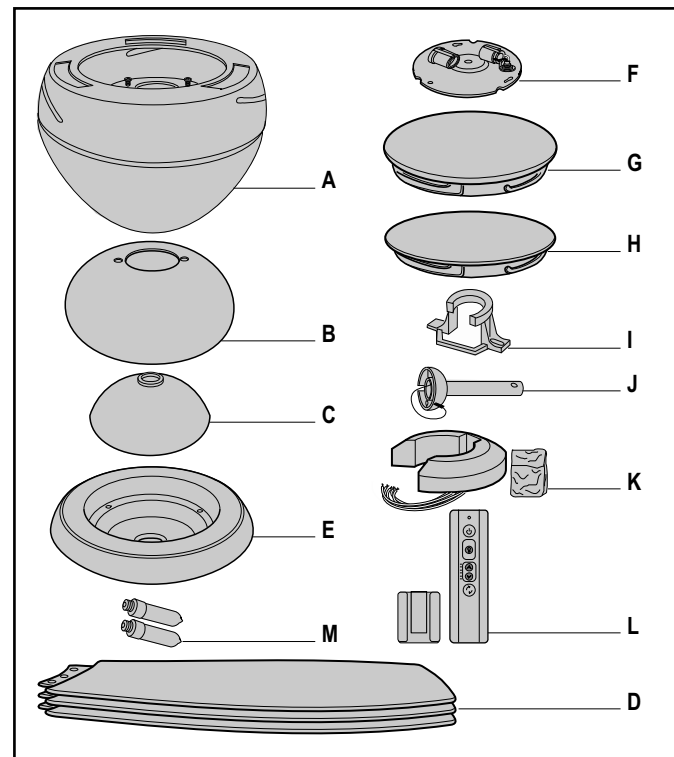
HARDWARE CONTENTS

Part	Description	Quantity
1	Wire Connectors, 12 ga.	3
2	M5 x 16mm Flange Head Blade Screws	10
3	M4 x 10mm Pan Head Screw for Lower Housing/Light Kit (spare)	1
4	Clevis Pin	1
5	Hairpin Clip	1
6	Threaded Stud, #8-32 x 1/1-4"	2
7	External Tooth Lockwasher	2
8	Knurled Knob	2
9	Blade Balance Kit	1



PACKAGE CONTENTS

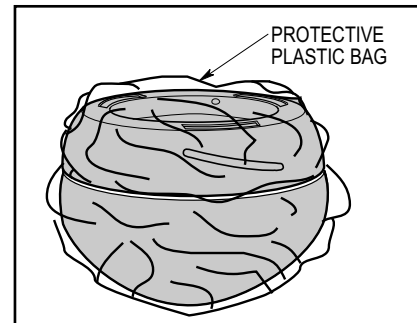
Part	Description	Quantity
A	Fan Motor Assembly	1
B	Ceiling Cover	1
C	Coupler Cover	1
D	Fan Blades	3
E	Lower Housing	1
F	Light Kit Plate	1
G	Glass Shade	1
H	No-Light Cover Plate	1
I	Hanger Bracket	1
J	Hanger Ball/Downrod Assembly	1
K	6-Speed Electronic Receiver Control with Parts Bag	1
L	6-Speed Handheld Transmitter with Wall Bracket	1
M	50-Watt Halogen Mini Candelabra Bulbs	2



1.2

Remove the fan motor assembly from the protective plastic bag.

Place all carton contents on a protective surface.



1. Unpacking Instructions (Continued)

THE FAN MODELS CF244BS & CF252BS ARE SUITABLE FOR DAMP LOCATIONS SUCH AS COVERED PORCHES, COVERED PATIOS, AND COVERED DECKS...ANYWHERE THERE IS A ROOF OVERHEAD.

THE FAN MODELS CF244GRT, CF244ORB, CF244WW, CF252GRT, CF252ORB, & CF252WW ARE SUITABLE FOR WET LOCATIONS SUCH AS PORCHES, PATIOS, AND DECKS.

This Manual Is Designed to Make it as Easy as Possible for You to Assemble, Install, Operate and Maintain Your Ceiling Fan

Tools Needed for Assembly

One Phillips head screwdriver One stepladder
One wire stripper One wire cutter

Materials

Wiring outlet box and box connectors must be of type required by the local code. The minimum wire would be a 3-conductor (2-wire with ground) of following size:

<u>Installed Wire Length</u>	<u>Wire Size A.W.G.</u>
Up to 50 ft.	14
50-100 ft.	12

Your Emerson ceiling fan comes supplied with a Fan/Light Remote Control which consists of a receiver mounted inside the ceiling cover of the fan motor housing. This system allows you to regulate your ceiling fan speed and light ON/OFF.

WARNING

Before assembling your ceiling fan, refer to section on proper method of wiring your fan (page 12). If you feel you do not have enough wiring knowledge or experience, have your fan installed by a licensed electrician.

2. Electrical Requirements

IMPORTANT: Your ceiling fan will not function properly, and may be damaged, if used with any wall dimmer switch or control other than the Emerson Electric Fan/Light Remote Control supplied with the fan.

Your new ceiling fan will require a grounded electrical supply line of 120 volts AC, 60 Hz, 15 amp circuit.

The outlet box must be securely anchored and capable of withstanding a load of at least 50 pounds.

WARNING

To reduce the risk of fire, electric shock, or personal injury, mount fan to outlet box marked "Acceptable for Fan Support of 22.7 kg. (50 lbs.) or less", and use screws supplied with outlet box. Most outlet boxes commonly used for support of light fixtures are not acceptable for fan support and may need to be replaced. Consult a qualified electrician if in doubt.

If your fan is to replace an existing ceiling light fixture, turn electricity off at the main fuse box at this time and remove the existing light fixture.

WARNING

Turning off wall switch is not sufficient. To avoid possible electrical shock, be sure electricity is turned off at the main fuse box before wiring. All wiring must be in accordance with National and Local codes and the ceiling fan must be properly grounded as a precaution against possible electrical shock.

WARNING

To avoid fire or shock, follow all wiring instructions carefully. Any electrical work not described in these instructions should be done or approved by a licensed electrician.

Please call Emerson technical support at 1-800-654-3545 if you have any questions about installation and operation of this ceiling fan.

3. Ceiling Fan Assembly

3.1

Position the fan motor assembly upside down in preparation for mounting the three fan blades.

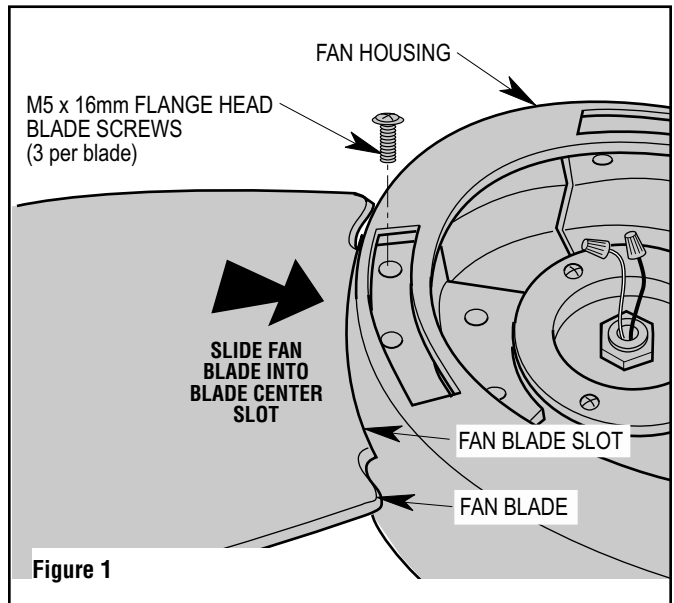
Slide blade through blade slot in fan housing assembly. Mount blade to fan housing using three M5 x 16mm flange head blade screws (Figure 1).

NOTE: Take care not to scratch fan housing assembly when installing blades.

Complete the remaining two blades installation per the above instructions.

WARNING

To reduce the risk of personal injury, do not bend the blade flange when installing the blade flanges, balancing the blades or cleaning the fan. Do not insert foreign objects in between rotating fan blades.



3.2

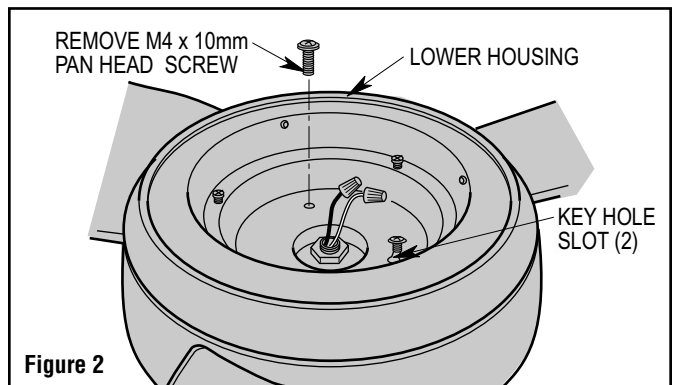
Remove one of the three M4 x 10 mm pan head screws in the motor housing assembly and loosen the remaining two screws (Figure 2).

Attach the lower housing assembly to the fan motor by aligning the two key slot holes of the lower housing onto the motor housing loosened screws (Figure 2).

Secure the lower housing assembly by tightening the two screws.

Reinstall the screw that was previously removed.

A spare M4 x 10 mm pan head screw supplied in parts bag, if needed.



3.3

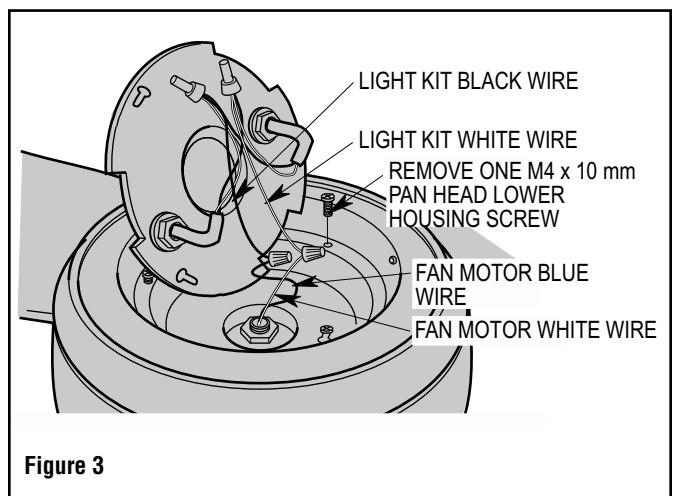
WARNING

To avoid possible fire or shock, the connectors should not be removed unless immediately installing the light kit. Power should be turned off prior to connector removal and light kit installation.

Remove and retain the wire connectors from the white and blue wires.

Connect the white wire from the ceiling fan to the white wire of the light kit plate (Figure 3). Connect the blue wire from the ceiling fan to the black wire of the light kit plate. Use wire connectors (previously removed) to make connections.

Remove one of the three M4 x 10 mm pan head screws in the lower housing and loosen the remaining two screws (Figure 3).



3. Ceiling Fan Assembly (Continued)

3.4

Remove one of the three M4 x 10 mm pan head screws in the lower housing and loosen the remaining two screws (Figure 4).

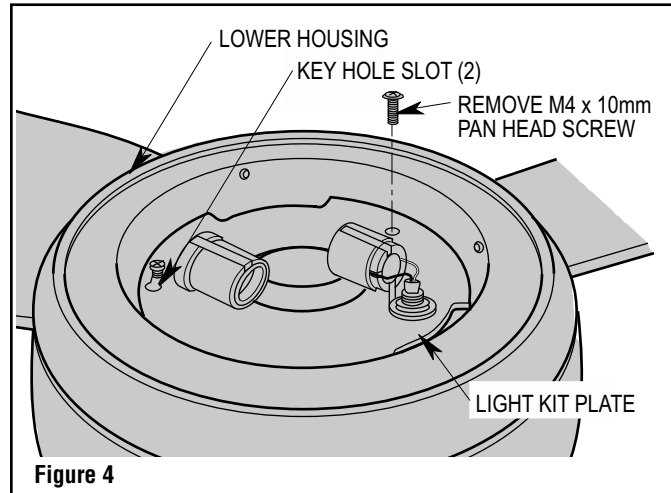


Figure 4

3.5

Tuck the wires and connectors into the fan housing. Position the light kit plate into the fan housing by placing the cut out notches over the fan housing dimples (Figure 5).

NOTE: Make sure all wires and connectors are tucked under the light kit plate and not pinched between light kit plate and fan housing.

Attach the light kit plate assembly to the lower housing by aligning the two key slot holes of the light kit plate onto the lower housing loosened screws (Figure 5).

Secure the light kit plate assembly by tightening the two screws.

Reinstall the M4 x 10 mm pan head screw that was previously removed.

A spare M4 x 10 mm pan head screw supplied in parts bag, if needed.

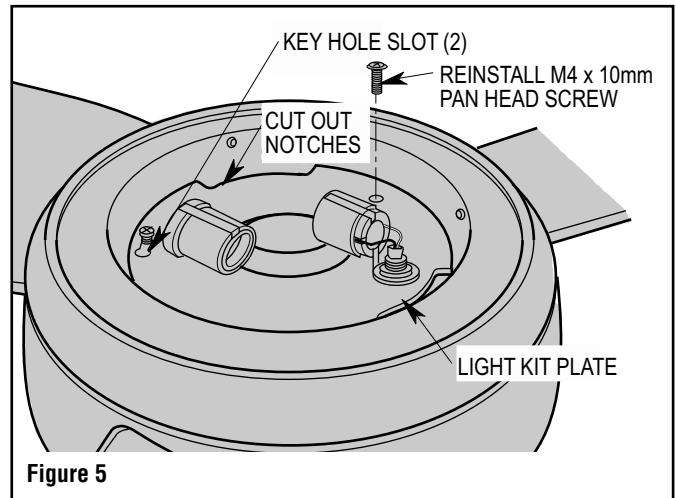


Figure 5

3. Ceiling Fan Assembly (Continued)

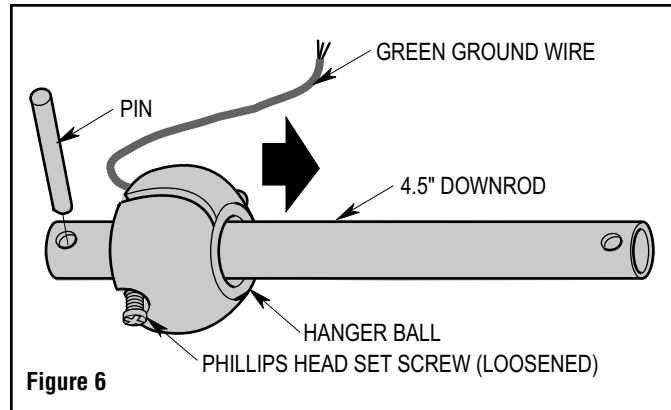
3.6

Carefully turn the partially assembled ceiling fan right side up and place the fan securely into the packing styrofoam in preparation for final assembly.

Remove the hanger ball by loosening the Phillips head set screw in the hanger ball until the ball falls freely down the downrod (Figure 6).

Remove the pin from the downrod, then remove the hanger ball (Figure 6).

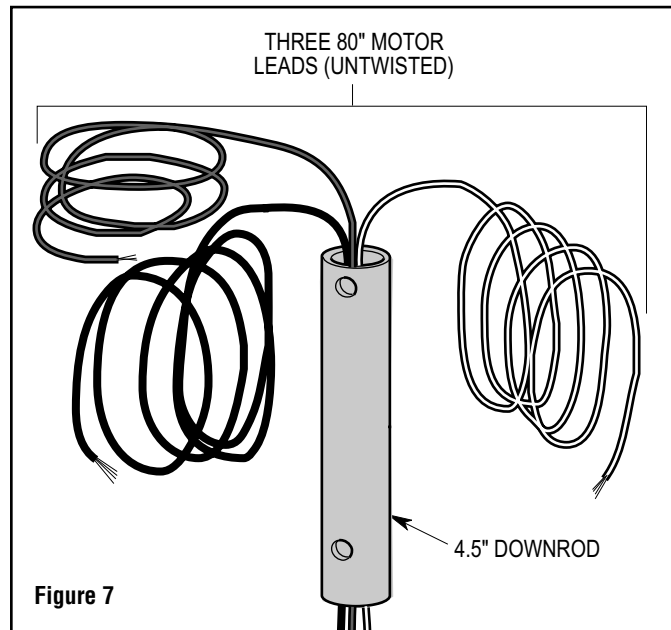
Retain the pin and hanger ball for reinstallation in Step 3.13.



3.7

Separate, untwist and unkink the three 80" motor leads.

Route the three 80" black, blue, and white motor leads through the downrod (Figure 7).



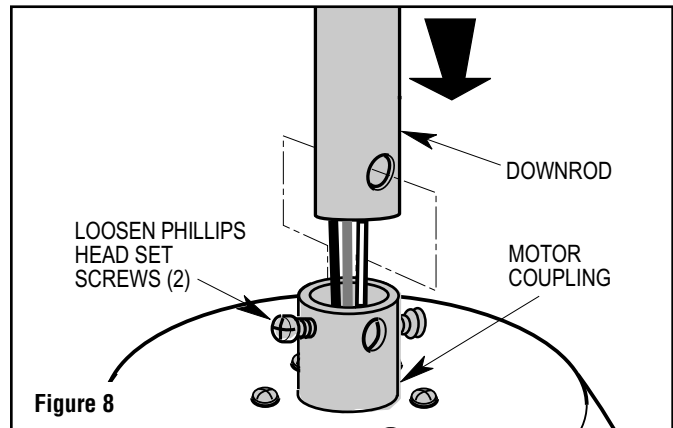
3. Ceiling Fan Assembly (Continued)

3.8

Loosen the two Phillips head set screws in the motor coupler for installation of the downrod (Figure 8).

Seat the downrod in the motor coupler (Figure 8).

Rotate and align the downrod holes with all the holes in the motor coupler (Figure 8).



3.9

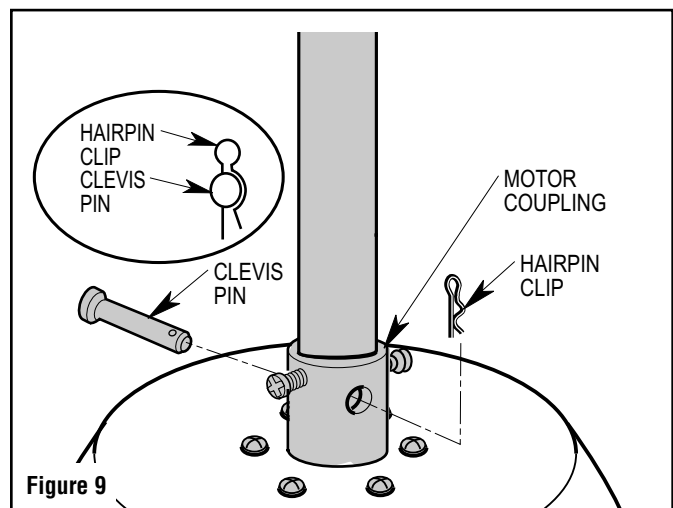
Align the clevis pin holes in the downrod with the holes in the motor coupler.

Install the clevis pin and secure with the hairpin clip (Figure 9).

The clevis pin must go through the holes in the motor coupler. It is critical that the clevis pin in the motor coupler is properly installed and securely tightened.

WARNING

It is critical that the clevis pin in the motor coupler is properly installed. Failure to verify that the pin is properly installed could result in the fan falling.



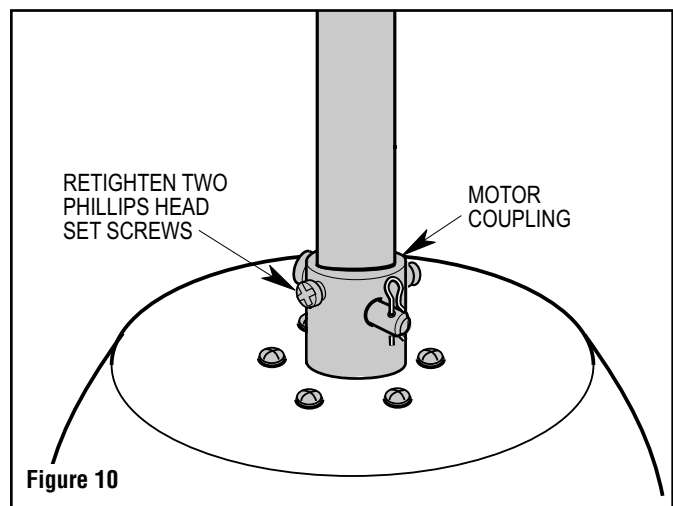
3.10

While pulling up on the downrod, retighten the two Phillips head set screws to secure the downrod to the motor (Figure 10).

NOTE: The set screws must be properly installed as described above, or fan wobble could result.

WARNING

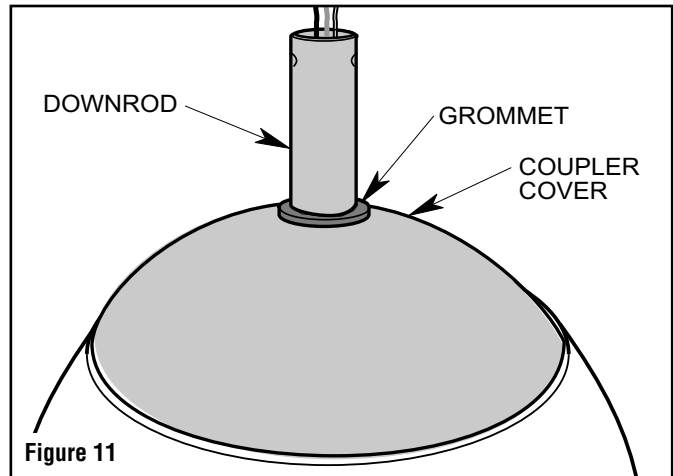
It is critical that the set screws in the motor coupler are properly installed and securely tightened. Failure to verify that the set screws are properly installed could result in the fan falling.



3. Ceiling Fan Assembly (Continued)

3.11

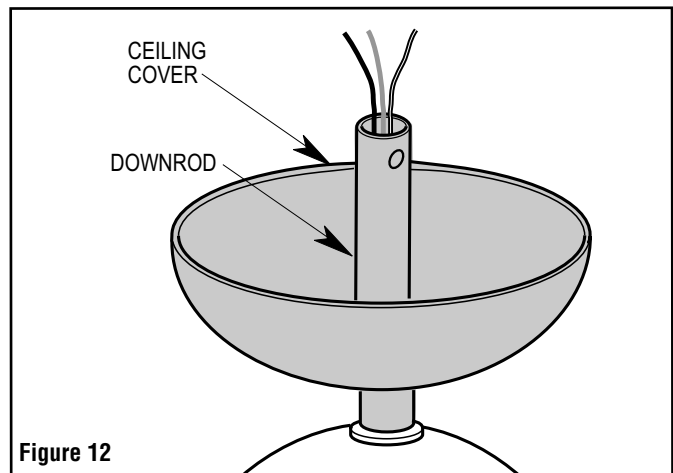
Make sure the grommet is properly installed in the coupler cover, then slide the coupler cover on the downrod until it rests on the motor housing (Figure 11).



3.12

Place the ceiling cover over the downrod (Figure 12).

Be sure that the ceiling cover and the coupler cover are both oriented correctly (Figure 12).



3.13

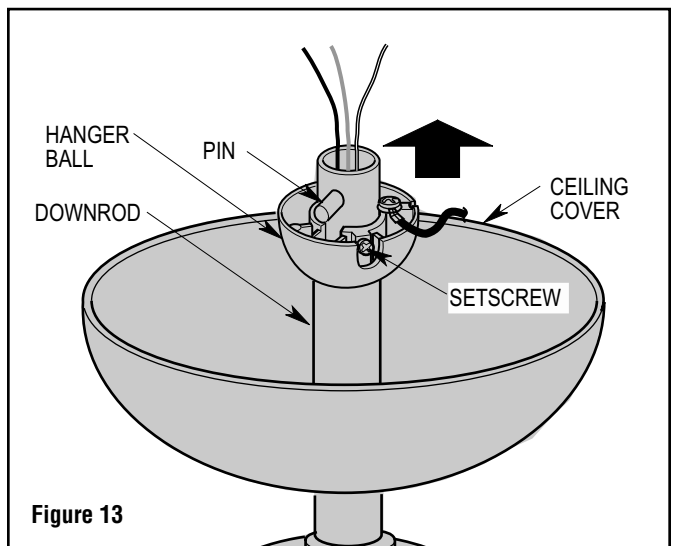
Route the three motor leads through the hanger ball (Figure 13).

Reinstall the hanger ball on the downrod as follows:

Position the pin through the two holes in the downrod and align the hanger ball so the pin is captured in the groove in the top of the hanger ball (Figure 13).

Pull the hanger ball up tight against the pin and securely retighten the Phillips head set screw in the hanger ball (Figure 13).

A loose Phillips head set screw could create fan wobble.



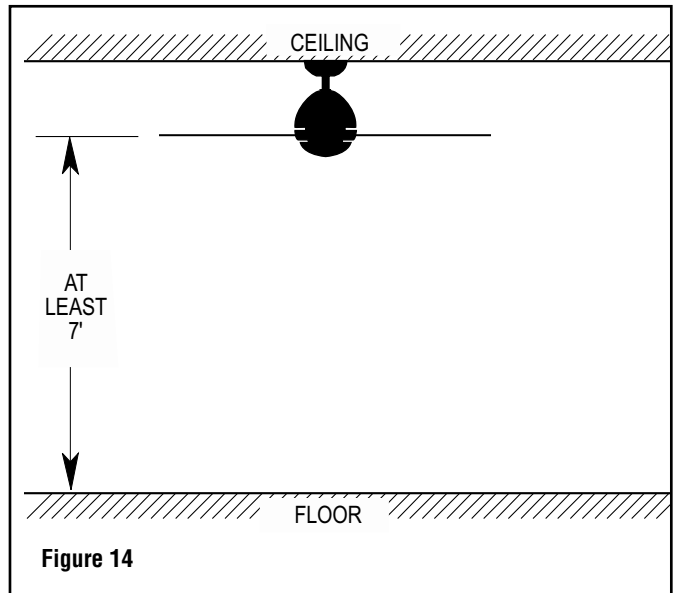
4. How to Hang Your Ceiling Fan

⚠ WARNING

The fan must be hung with at least 7' of clearance from floor to blades (Figure 14).

⚠ WARNING

Turning off wall switch is not sufficient. To avoid possible electrical shock, be sure electricity is turned off at the main fuse box before wiring. All wiring must be in accordance with National and Local codes and the ceiling fan must be properly grounded as a precaution against possible electrical shock.

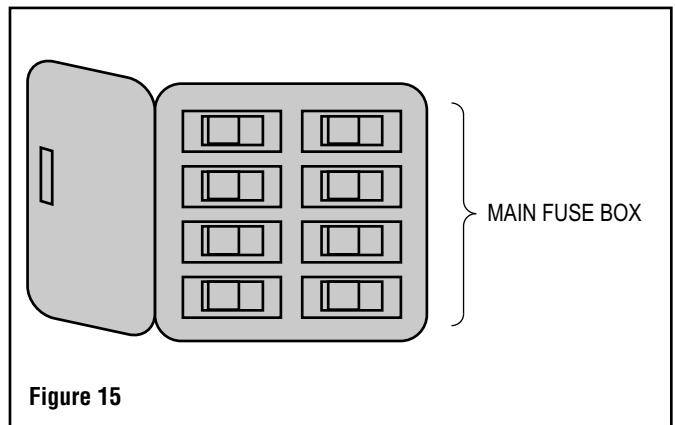


⚠ WARNING

The outlet box and joist must be securely mounted and capable of supporting at least 50 lbs. Use only a U.L. outlet box listed as “Acceptable for Fan Support of 22.7 kg. (50 lbs.) or less”.

⚠ WARNING

To reduce the risk of fire, electric shock, or personal injury, mount fan to outlet box marked “Acceptable for Fan Support of 22.7 kg. (50 lbs.) or less”, and use screws supplied with outlet box. Most outlet boxes commonly used for support of light fixtures are not acceptable for fan support and may need to be replaced. Consult a qualified electrician if in doubt.



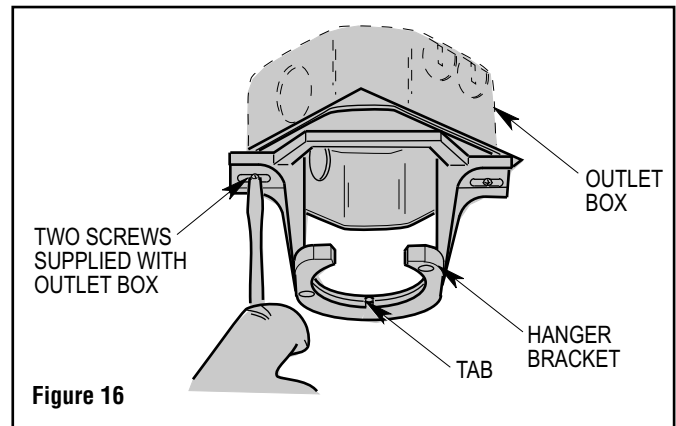
4.1

Disconnect electrical power to the branch circuit at the circuit breaker or fuse box before attempting to install the ceiling fan mounting plate on the outlet box (Figure 15).

4. How to Hang Your Ceiling Fan (Continued)

4.2

Securely attach the hanger bracket to the outlet box using the two screws supplied with the outlet box. (Figure 16).



4.3

Carefully lift the fan and seat the hanger ball/downrod assembly on the hanger bracket that was just attached to the outlet box (Figure 17).

Be sure the groove in the ball is engaged with the anti-rotation tab on the hanger bracket (Figure 17).

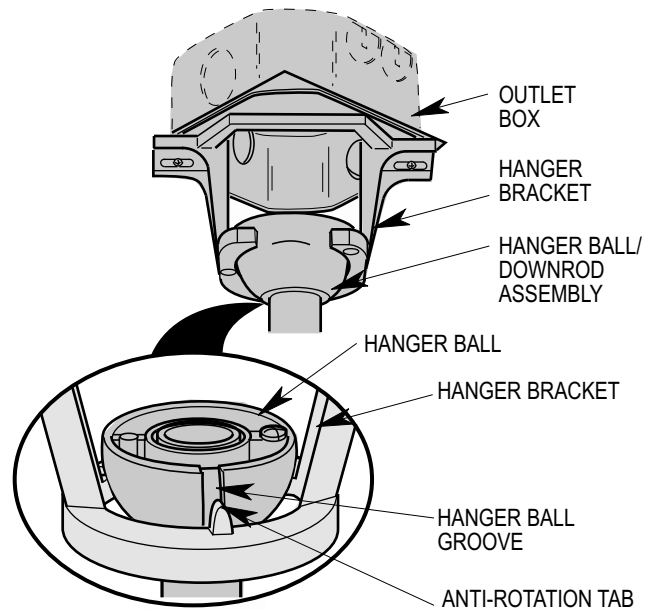
WARNING

Failure to seat tab in groove could cause damage to electrical wires and possible shock or fire hazard.

WARNING

To avoid possible fire or shock, do not pinch wires between the hanger ball/downrod assembly and hanger bracket.

NOTE: CEILING COVER, SUPPLY WIRES AND FAN WIRES OMITTED FOR CLARITY.



5. How to Wire Your Ceiling Fan

If you feel that you do not have enough electrical wiring knowledge or experience, have your fan installed by a licensed electrician.

WARNING

Turning off wall switch is not sufficient. To avoid possible electrical shock, be sure electricity is turned off at the main fuse box before wiring. All wiring must be in accordance with National and Local codes and the ceiling fan must be properly grounded as a precaution against possible electrical shock.

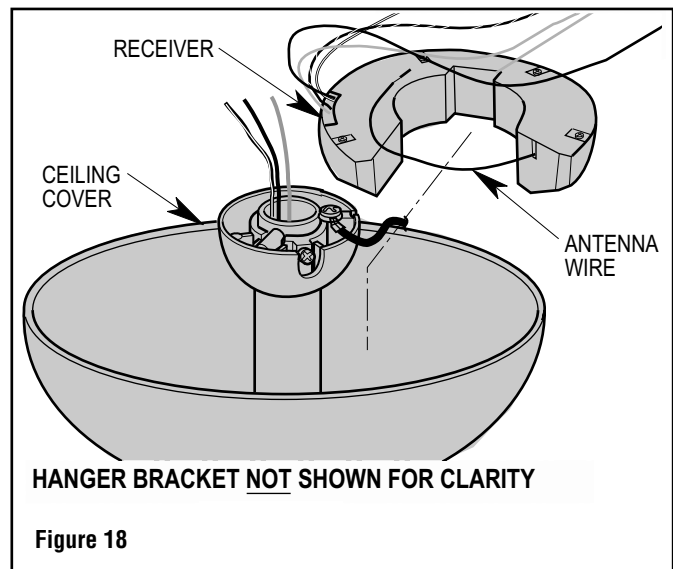
CAUTION: To reduce the risk of electrical shock, disconnect the electrical supply circuit before installing the fan, light kit or receiver.

NOTE: Make all wiring connections using wire connectors (supplied). Make sure that all connections are tight, including ground, and that no bare wire is visible at the wire connectors, except for the ground wire.

5.1

Position the receiver into the ceiling cover as shown in Figure 18.

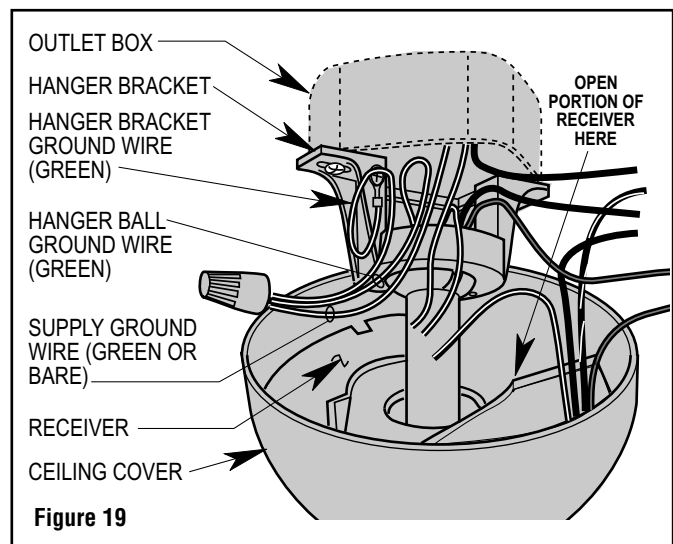
Place the antenna wire on top of the receiver.



5.2

Connect the green grounding lead from the hanger ball and the green grounding lead from the hanger bracket to the grounding conductor of supply (this may be a bare wire or wire with green colored insulation) (Figure 19).

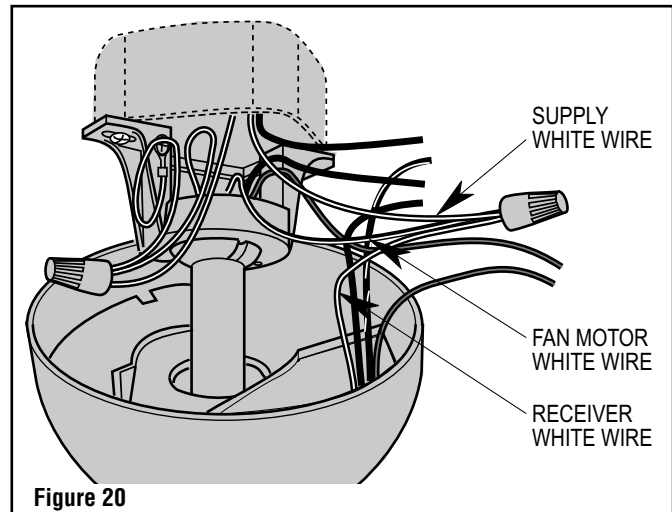
Securely connect wires with wire connectors supplied (Figure 19).



5. How to Wire Your Ceiling Fan (Continued)

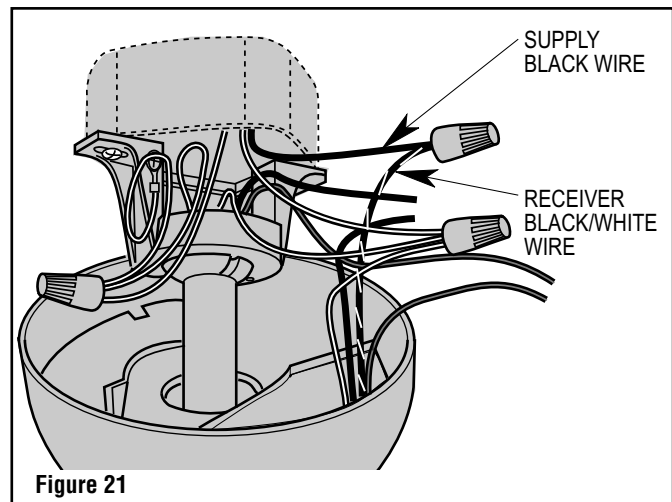
5.3

Securely connect the Supply White Wire (neutral) to the Receiver White Wire (AC IN N) / (TO MOTOR N) and Fan Motor White Wire (neutral) using a wire connector (supplied) (Figure 20).



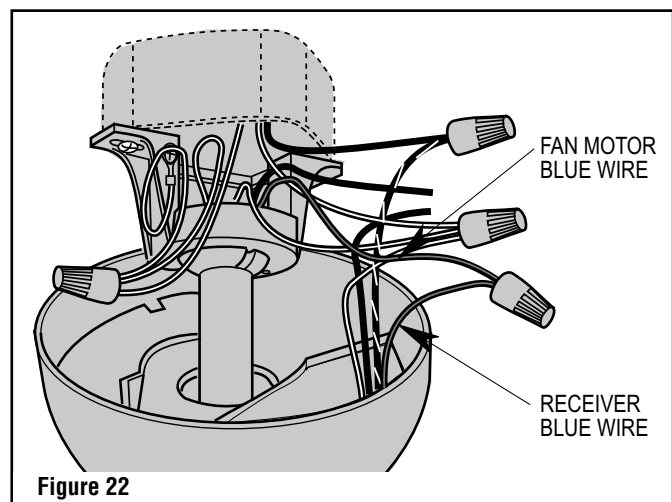
5.4

Securely connect the Supply Black Wire to the Receiver Black/White Wire (AC IN L) using a wire connector (supplied) (Figure 21).



5.5

Securely connect the Fan Motor Blue Wire to the Receiver Blue Wire (FOR BOTTOM LIGHT) using a wire connector (supplied) (Figure 22).



5. How to Wire Your Ceiling Fan (Continued)

5.6

Securely connect the Fan Motor Black Wire to the Receiver Black Wire (TO MOTOR L) using a wire connector (supplied) (Figure 23).

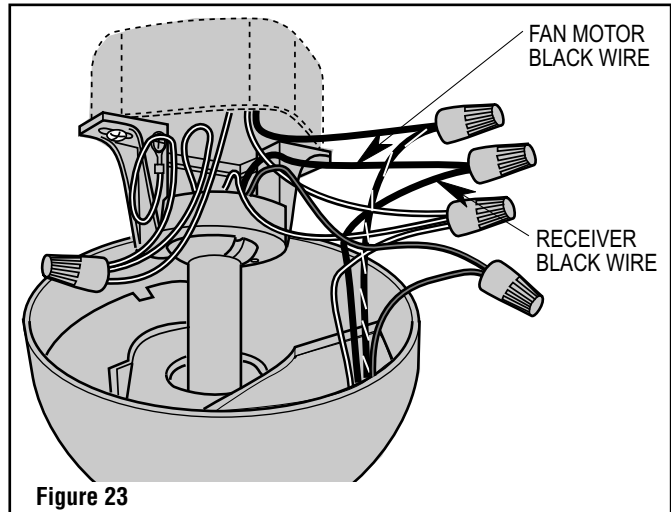


Figure 23

⚠ WARNING

Check to see that all connections are tight, including ground, and that no bare wire is visible at the wire connectors, except for the ground wire. Do not operate fan until blades are in place. Noise and fan damage could result.

5.7

Complete wiring diagram of Receiver, Supply & Ceiling Fan (Figure 24).

After connections have been made, turn leads upward and carefully push leads into the outlet box, with the white and green leads on one side of the outlet box and the black and blue leads on the other inside of the outlet box.

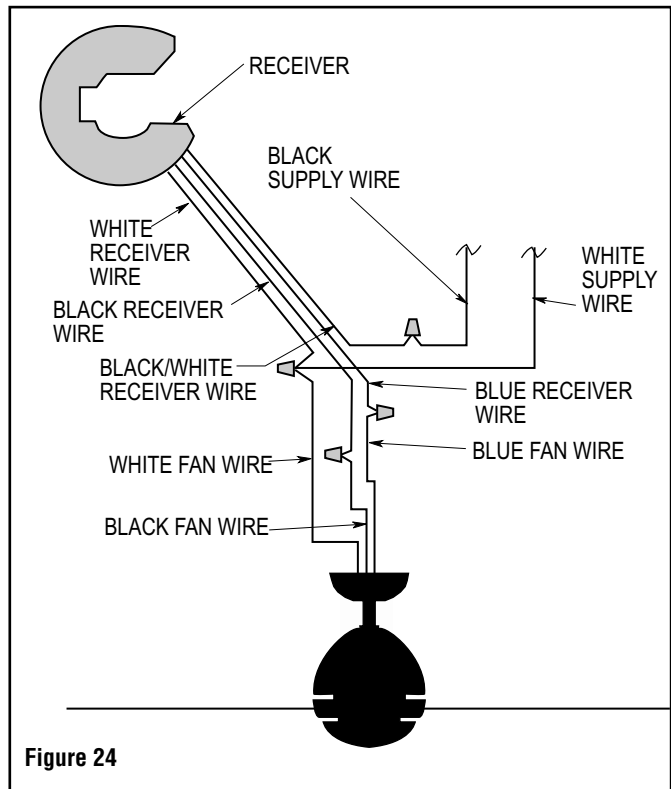
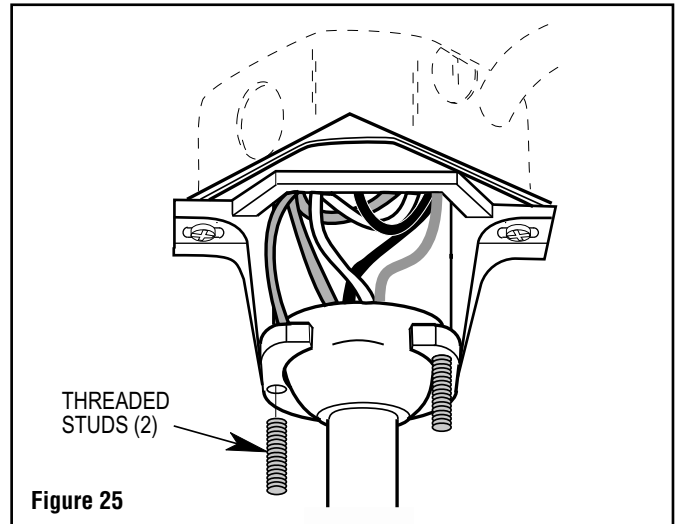


Figure 24

5. How to Wire Your Ceiling Fan (Continued)

5.8

Screw the two threaded studs (supplied) into the tapped holes in the hanger bracket (Figure 25).



5.9

Lift the ceiling cover up to the threaded studs and turn until studs protrude through the holes in the ceiling cover (Figure 26).

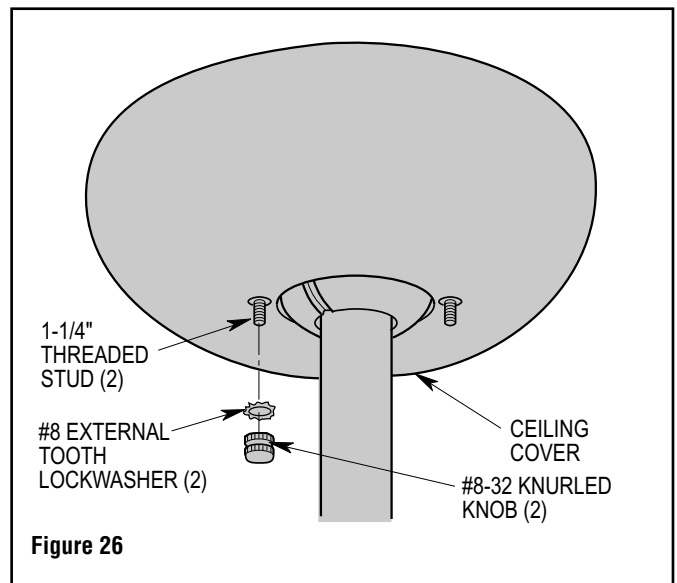
Secure the ceiling cover in place by sliding lockwashers over the threaded studs and installing the two knurled knobs (supplied). (Figure 26).

Tighten the knurled knobs securely until the ceiling cover fits snugly against the ceiling and the hole in the ceiling cover is clear of the downrod.



WARNING

To avoid possible fire or shock, make sure that the electrical wires are completely inside the outlet box and not pinched between the ceiling cover and the ceiling.



6. How to Assemble Your Light Kit Glass Shade

6.1

Screw the two 50-watt (maximum) halogen mini candelabra base bulbs in the light kit plate sockets (Figure 27).

Do not touch the glass bulb; use the porcelain base to screw in the bulb, or wear soft gloves.

CAUTION: To avoid risks of burns or other injury, assure power is off before attempting to install or replace the halogen bulbs.

NOTICE: Do not touch halogen bulbs with bare hands. Fingerprints may result in shorter bulb life. Remove fingerprints with alcohol.

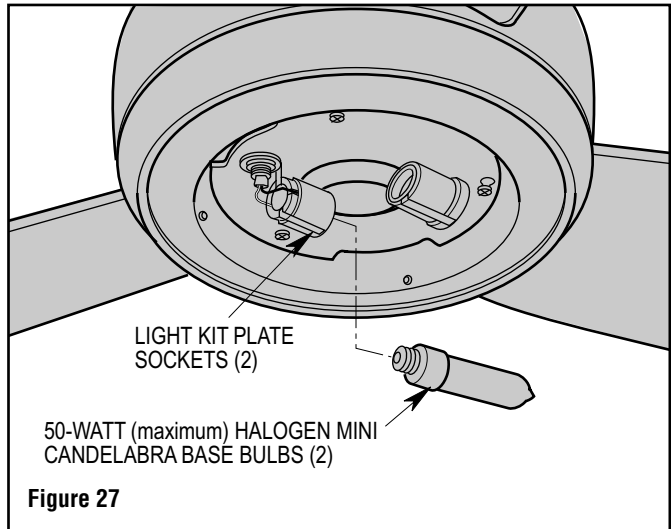


Figure 27

6.2

Place the glass shade into the opening in the fan motor housing assembly, aligning the three flat areas on the top edge of the glass with the three raised dimples on the fan motor housing assembly and turn the glass shade clockwise until it stops (Figure 28).

NOTE: periodically check that the glass shade is seated fully clockwise in the fan motor housing assembly.

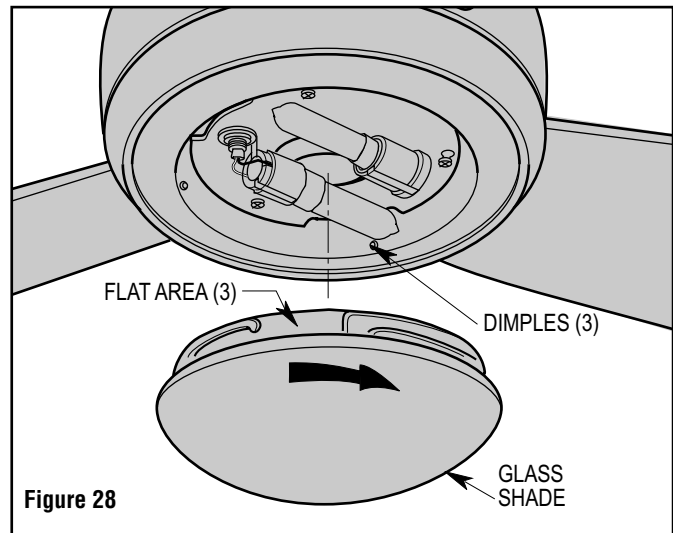


Figure 28

7. How to Assemble Your No Light Cover Plate

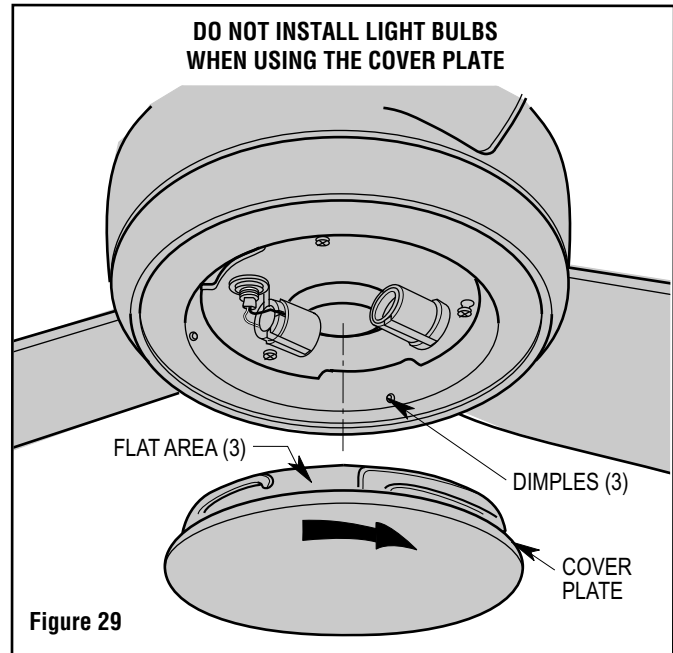
⚠ WARNING

Do not install any light bulbs into the light kit plate if using the cover plate. Installation of light bulbs when using the cover plate could result in fire, shock and serious personal injury.

7.1

Place the cover plate onto the lower housing aligning the three flat areas on the top flange of the cover plate with the three pins on the inside of the fan motor housing assembly (Figure 29). Then turn the cover plate clockwise until it stops turning.

Your cover plate is now installed.



8. Remote Control Procedures

8.1: Preset Memory Feature

Your Emerson receiver is equipped with a preset memory feature. If the AC supply to the receiver is powered through a wall switch, when the switch is turned OFF, the control will remember the light intensity and fan speed.

When the switch is turned back ON the light and fan will resume operation as they were prior to the switch being turned OFF.

8.2: Installation of Batteries

The remote control transmitter is powered by two AAA alkaline batteries (not included).

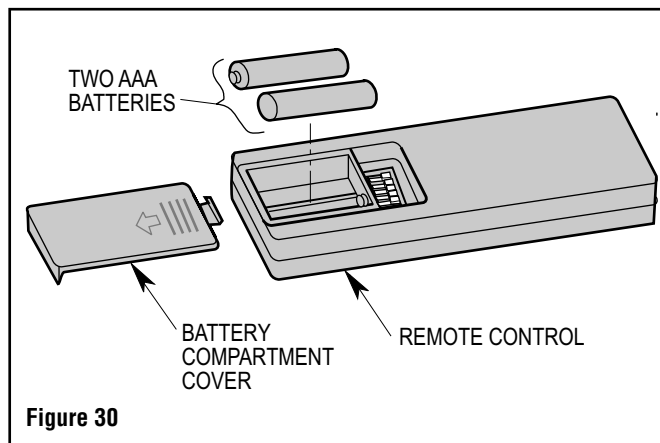
To prevent possible battery leakage damage, be sure to remove the batteries when the control is not to be used for an extended period of time.

Remove the battery cover by pressing firmly below the arrow and sliding the cover off the remote control.

Install two new AAA alkaline batteries into the battery compartment following the correct battery placement printed on the compartment (Figure 30).

NOTE: Never use old and new batteries together in unit.

Replace the battery compartment cover by sliding the cover back onto the remote control.



8.3: Setting Operating Frequency of Remote Control

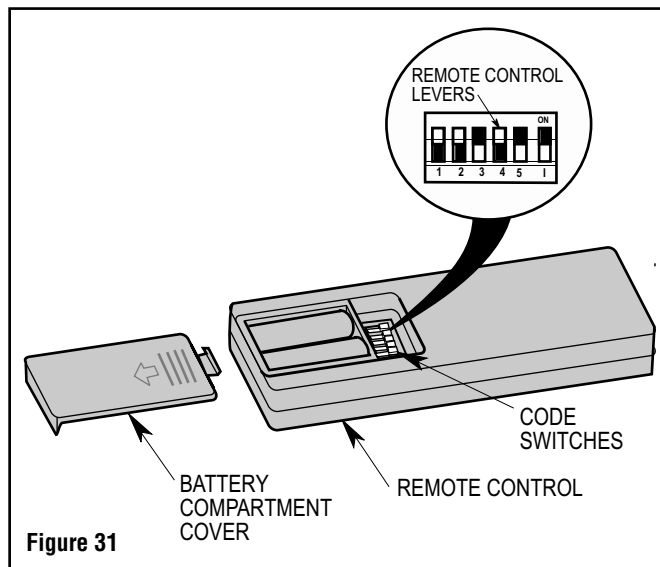
Remove the battery cover by pressing firmly below the arrow and sliding the cover off the control (Figure 31).

Your remote control has code switches which must be set in one of 32 possible code combinations.

The five levers (numbered 1, 2, 3, 4, and 5) on the switches are factory-set in the ON (up) position. Change the switch settings as follows:

Slide the five switch levers in the remote control to your choice of ON (up) or down positions. Use a ball-point pen or small screwdriver and slide the levers firmly up or down (Figure 31).

The sixth switch marked ON and I is for dimming control of lights: Set switch to ON to allow for dimming of the lights. Set switch to I for no dimming of the lights such as for fluorescent bulbs.




NOTE: If your fan and light go on and off without using your control, you may be getting interference from other remote units such as garage door openers, car alarms or security systems.

To remedy this situations, simply change the combination code in your remote control transmitter.

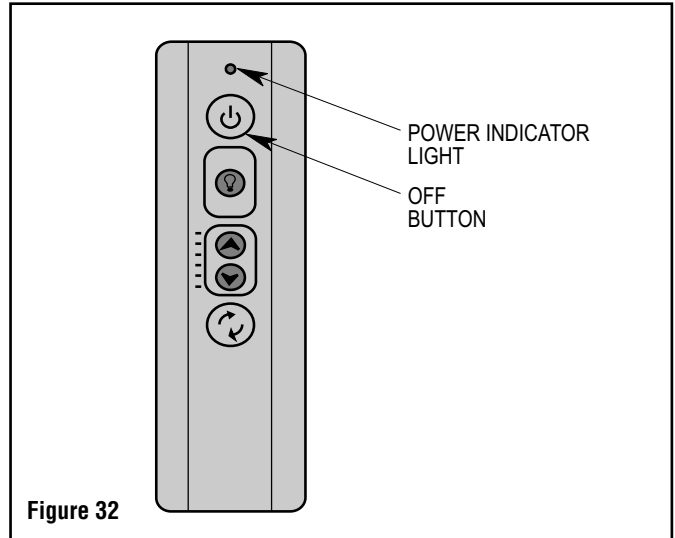
8. Remote Control Procedures (Continued)

8.4

Your Emerson Ceiling Fan/Light Remote Control consists of hand-held transmitter and a receiver which is mounted under the fan ceiling cover.

When power is restored, push and hold the fan OFF button () for 3 to 5 seconds to set the code in the receiver (Figure 32).

NOTE: The power indicator light on the remote control will flash when the code is set.






WARNING

Fan installation must be completed, including the installation of the fan blades, before testing the remote control.

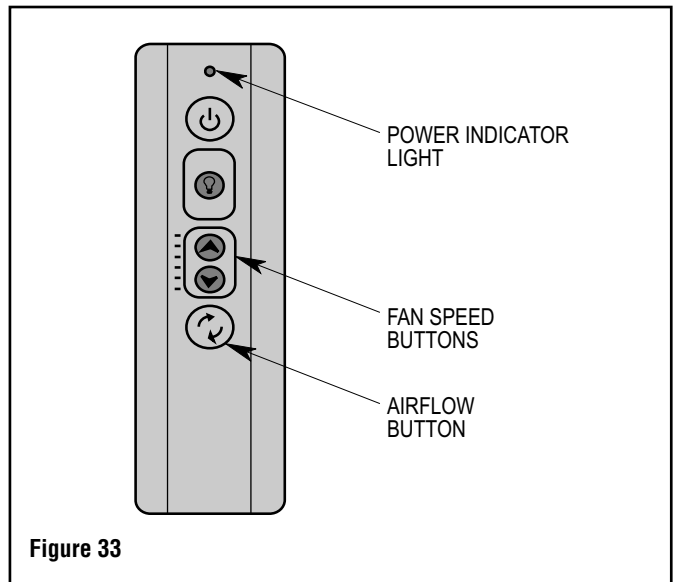
8.5

The remote control is designed to separately control your ceiling fan speed and light intensity (Figure 33).

If airflow is desired in the opposite direction, press the () button on the remote control. The fan must be operating at any speed for the reverse button to function. The blades will turn in the opposite direction and reverse the airflow.

To set the desired fan speed, press the () button to decrease the speed and the () to increase the speed (Figure 33).

NOTE: The power indicator light on the remote control will light up to indicate the new speed selected.



8. Remote Control Procedures (Continued)

8.6

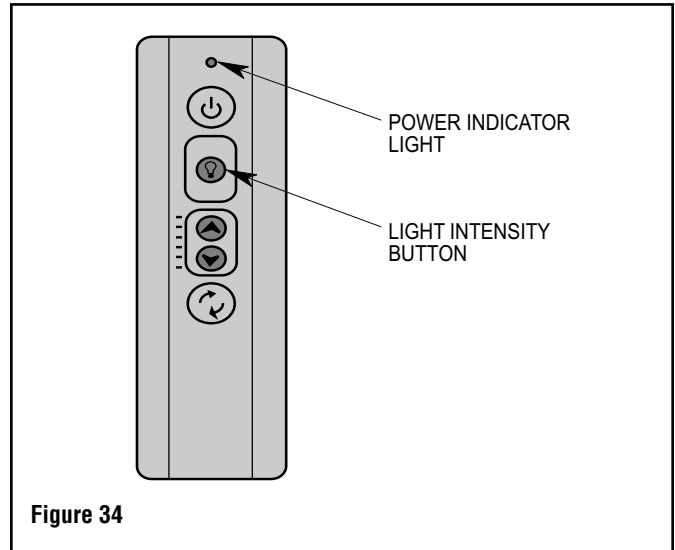
To turn the downlight on, press and release the (💡) button. The light will turn on at the light intensity previously selected (Figure 34).

To vary the intensity of the light, hold the (💡) button down until the desired light intensity is reached, then release the button (Figure 34).

NOTE: When turning the light on, power indicator light on remote control will turn on at the light intensity previously selected.

Your remote control has full control of your fan and light.

The power indicator light will illuminate while any button is pressed, indicating that the battery is good.

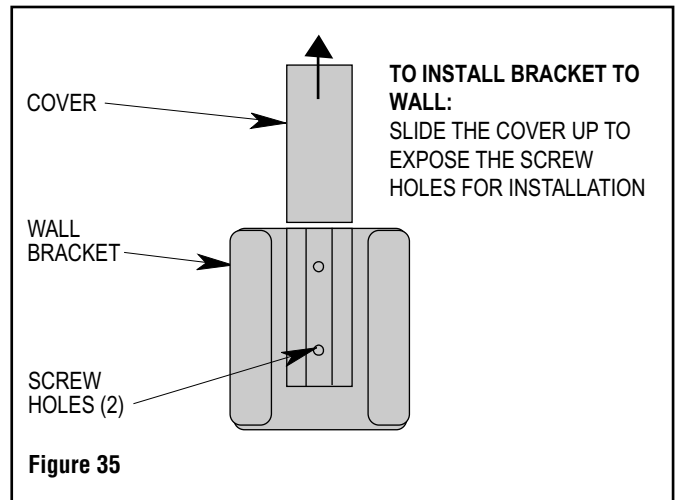


8.7: Storage Bracket Installation

A storage bracket is provided for holding your remote control when not in use. If you desire to use the bracket, install it on a wall that is away from excess heat or humidity.

Slide the wall bracket cover up to expose the screw holes for installation (Figure 35).

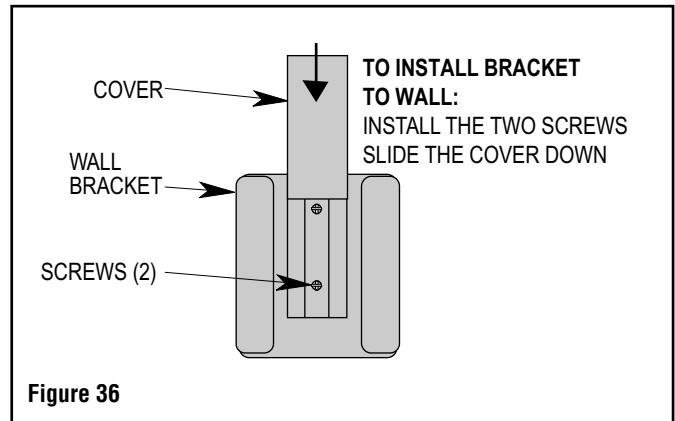
Position the bracket on the wall in desired location.



8.8: Storage Bracket Installation

Install the two screws (provided with bracket) into the wall bracket and tighten to secure to wall (Figure 36).

Slide the wall bracket cover back down over the screws.



9. Maintenance

IMPORTANT CARE INSTRUCTIONS for your Ceiling Fan

Periodic cleaning of your new ceiling fan is the only maintenance that is needed.

When cleaning, use only a soft brush or lint free cloth to avoid scratching the finish.

Abrasive cleaning agents are not required and should be avoided to prevent damage to finish.



WARNING

Do not use water when cleaning your ceiling fan. It could damage the motor or the blades and create the possibility of an electrical shock.

10. Accessories

See your local Emerson dealer, www.emersonfans.com or the Emerson Ceiling Fan catalog for these accessories:

- Ceiling Fan Receiver / Remote Controls
- Downrod Extension Kits
- Slope Ceiling Kit



WARNING

The use of any other control not specifically approved for this fan could result in fire, shock and personal injury.



WARNING

This product is designed to use only those parts supplied with this product and/or any accessories designated specifically for use with this product by Emerson Electric Co. Substitution of parts or accessories not designated for use with this product by Emerson Electric Co. could result in personal injury or property damage.

11. Light Kit Circuit Breaker



In accordance with Federal Law, this ceiling fan is equipped with a light kit circuit breaker. Using halogen light bulbs with greater than 50 watts rating will cause the breaker to activate.

If this occurs, shut off the electricity to the ceiling fan and check that the lamps are each 50W maximum. The light kit circuit breaker will automatically reset when the electricity is turned off and then back on.

12. Troubleshooting

WARNING

FOR YOUR OWN SAFETY TURN OFF POWER AT FUSE BOX OR CIRCUIT BREAKER BEFORE TROUBLESHOOTING YOUR FAN.

TROUBLE	PROBABLE CAUSE	SUGGESTED REMEDY
1. Fan will not start.	<ol style="list-style-type: none"> 1. Fuse or circuit breaker blown. 2. Loose power line connections to the fan. 3. Fan/Light remote control is OFF. 	<ol style="list-style-type: none"> 1. Check main and branch circuit fuses or circuit breakers. <div style="border: 1px solid black; padding: 5px; text-align: center;">  WARNING Make sure main power is turned OFF. </div> <ol style="list-style-type: none"> 2. Check line power connections to fan. 3. Turn ON Fan/Light remote control.
2. Fan sounds noisy.	<ol style="list-style-type: none"> 1. Blades not attached to fan. 2. Screws securing fan blades to motor are loose. 	<ol style="list-style-type: none"> 1. Attach blades to fan before operating. 2. Check to make sure the screws which attach the blades to the motor are tight. <div style="border: 1px solid black; padding: 5px; text-align: center;">  WARNING Make sure main power is turned OFF. </div>
3. Fan wobbles excessively.	<ol style="list-style-type: none"> 1. Screws securing fan blades to motor are loose. 2. Fan blades are not seated properly. 3. Fan blades out of balance. 	<ol style="list-style-type: none"> 1. Check to be sure screws which attach the fan blade to the motor are tight. 2. Check to be sure that the screws securing the fan blades seat firmly. 3. Interchanging an adjacent (side by-side) blade pair can redistribute the weight and result in smoother operation. Or use supplied balancing kit to balance blades.
4. Both lamps will not illuminate.	<ol style="list-style-type: none"> 1. Loose electrical connectors. 2. Remote control battery is weak. 3. The lamps are burnt out. 4. Lamps turn on and then turn off. 	<ol style="list-style-type: none"> 1. Shut off the branch circuit electricity at the fuse box or breaker panel and check the receiver electrical connectors for proper installation. 2. Replace the AAA remote batteries. 3. Turn the electricity off and replace the lamps with new 50W max. lamps. 4. The built in circuit breaker is tripping, check that the lamps are each 50W maximum. <p>CAUTION: Turn the lights off before touching halogen lamps, they are very hot and can burn your fingers.</p>

13. Remote Control Troubleshooting

Fan/Light Fails to Operate

- Check that the speed switch on the fan is set to HIGH (....) speed.
- Check that the light switch is on.
- Check that the battery is good (red indicator light should light when any button is pressed).
- Check that the receiver is wired properly.
- Check that code switches in the remote control and receiver are set in the same position.

Short Range

- If the remote control operates the fan when close to it, but does not operate it at a distance of 40 feet, try placing the antenna wire outside of the ceiling cover.

14. Energy Efficient Use of Ceiling Fans

Ceiling fan performance and energy savings rely heavily on the proper installation and use of the ceiling fan. Here are a few tips to ensure quality and product performance.

Choosing the Appropriate Mounting Location. Ceiling fans should be installed, or mounted, in the middle of the room and at least 7 feet above the floor and 18 inches from the walls. If ceiling height allows, install the fan 8 - 9 feet above the floor for optimal airflow. Consult your Emerson Retailer for optional mounting accessories.

Using the Ceiling Fan Year Round. In the summer, use the ceiling fan in the counter-clockwise direction. The airflow produced by the ceiling fan creates a wind-chill effect, making you "feel" cooler. Select a fan speed that provides a comfortable breeze, lower speeds consume less energy. In the winter, reverse the motor and operate the ceiling fan at low speed in the clockwise direction. This produces a gentle updraft, which forces warm air near the ceiling down into the occupied space. Remember to adjust your thermostat when using your ceiling fan - additional energy and dollar savings could be realized with this simple step!

Turn Off When Not in the Room. Ceiling fans cool people, not rooms. If the room is unoccupied, turn off the ceiling fan to save energy.

INSTRUCTION TO THE USER (if device contains a digital device)

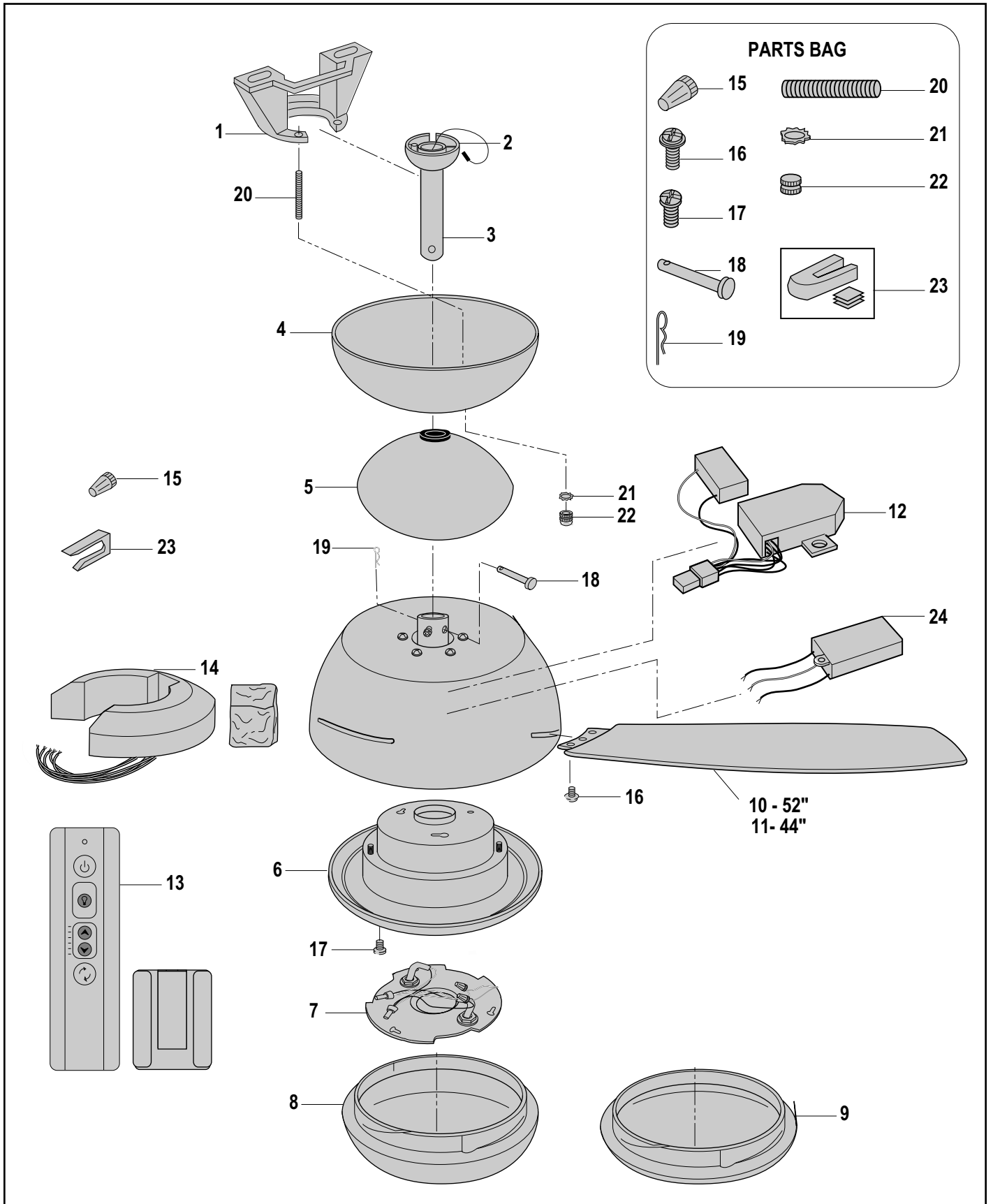
This equipment has been tested and found to comply with the limits for a class B digital device, pursuant to part 15 of the FCC Rules. These limits are designed to provide reasonable protection against harmful interference in a residential installation. This equipment generates, uses and can radiate radio frequency energy and if not installed and used in accordance with the instructions, may cause harmful interference to radio communications. However, there is no guarantee that interference will not occur in a particular installation. If this equipment does cause harmful interference to radio or television reception, which can be determined by turning the equipment off and on, the user is encouraged to try to correct the interference by one or more of the following measures:

- Reorient or relocate the receiving antenna.
- Increase the separation between the equipment and receiver.
- Connect the equipment into an outlet on a circuit different from that to which the receiver is connected.
- Consult the dealer or an experienced radio/TV technician for help.

This equipment has been certified to comply with the limits for a class B computing device, pursuant to FCC Rules. In order to maintain compliance with FCC regulations, shielded cables must be used with this equipment. Operation with non-approved equipment or unshielded cables is likely to result in interference to radio and TV reception. The user is cautioned that changes and modifications made to the equipment without the approval of manufacturer could void the user's authority to operate this equipment.

This Class B digital apparatus meets all requirements of the Canadian Interference-Causing Equipment Regulations.

15. Repair Parts



15. Repair Parts Listing

Key No.	Description	Damp Part Numbers		Wet Part Numbers					
		Model No. CF244BS00	Model No. CF252BS00	Model No. CF244GRT00	Model No. CF252GRT00	Model No. CF244WW00	Model No. CF252WW00	Model No. CF244ORB00	Model No. CF252ORB00
*	Hanger Pack Consisting of:	761655-17	761655-17	761655-102	761655-102	761655-14	761655-14	761655-32	761655-32
1	Hanger Bracket Assembly	—	—	—	—	—	—	—	—
2	Hanger Ball	—	—	—	—	—	—	—	—
3	Downrod	—	—	—	—	—	—	—	—
4	Ceiling Cover	762534-BS	762534-BS	762534-GRT	762534-GRT	762534-WW	762534-WW	762534-ORB	762534-ORB
5	Coupler Cover	764000-BS	764000-BS	764000-GRT	764000-GRT	764000-WW	764000-WW	764000-ORB	764000-ORB
6	Lower Housing	763992-BS	763992-BS	763992-GRT	763992-GRT	763992-WW	763992-WW	763992-ORB	763992-ORB
7	Light Kit Plate Assembly	763993	763993	763993	763993	763993	763993	763993	763993
8	Glass Shade	763994-OM	763994-OM	763994-OM	763994-OM	763994-OM	763994-OM	763994-OM	763994-OM
9	No Light Kit Cover	763995-BS	763995-BS	763995-GRT	763995-GRT	763995-WW	763995-WW	763995-ORB	763995-ORB
10	52" Blade Assembly	—	763996-BS	—	763996-GRT	—	763996-WW	—	763996-ORB
11	44" Blade Assembly	763998-BS	—	763998-GRT	—	763998-WW	—	763998-ORB	—
12	Harness, Wiring - Reverse Modular & Aux. Capacitor	764007	764007	764007	764007	764007	764007	764007	764007
13	Handheld Remote Control	763979	763979	763979	763979	763979	763979	763979	763979
14	Electronic Receiver with Wire Connectors	764009	764009	764009	764009	764009	764009	764009	764009
*	Parts Bag, Containing:	764025-SS	764025-SS	764025-SS	764025-SS	764025-SS	764025-SS	764025-SS	764025-SS
15	Connector, Wire, 12 Ga. (3)	—	—	—	—	—	—	—	—
16	Screw, Flange Head, Blade M5 x 16mm (10)	—	—	—	—	—	—	—	—
17	Screw, Pan Head, Lower Housing/Light Kit, M4 x 10mm (1)	—	—	—	—	—	—	—	—
18	Pin, Clevis	—	—	—	—	—	—	—	—
19	Clip, Hairpin	—	—	—	—	—	—	—	—
20	Stud, Threaded #8-32 x 1-1/4" (2)	—	—	—	—	—	—	—	—
21	Lockwasher, External Tooth #8-32 x 1-1/4" (2)	—	—	—	—	—	—	—	—
22	Knob, Knurled #8-32 (2)	—	—	—	—	—	—	—	—
23	Kit, Balancing	—	—	—	—	—	—	—	—
24	190 W Circuit Breaker	763748	763748	763748	763748	763748	763748	763748	763748
—	Owner's Manual	BP7408-4	BP7408-4	BP7408-4	BP7408-4	BP7408-4	BP7408-4	BP7408-4	BP7408-4

Before discarding packaging material, be certain all parts have been removed.

HOW TO ORDER REPAIR PARTS

WHEN ORDERING REPAIR PARTS, ALWAYS GIVE THE FOLLOWING INFORMATION:

- PART NUMBER
- NAME OF ITEM
- PART DESCRIPTION
- MODEL NUMBER

The model number of your Fan will be found on a label attached to the top housing.

For repair parts, phone 1-800-654-3545.

Notes

Emerson Air Comfort Ceiling Fan Limited Warranty

What The Limited Warranty Covers:

This limited warranty is offered by Air Comfort Products division of Emerson Electric Co. ("Emerson" "we" or "us") located at the address stated below to the original retail purchaser ("you" or "your") of an Emerson Air Comfort Ceiling Fan product ("Emerson Ceiling Fan") and covers the motor and the other components and accessories of the Emerson Ceiling Fan against all defects in workmanship and materials.

What The Period Of Coverage Is:

This limited warranty will cover the Emerson Ceiling Fan motor for the expected lifetime of your Emerson Ceiling Fan (when operated in accordance with your Owner's Manual or other instructions provided by Emerson to you with the Emerson Ceiling Fan). All other components and accessories of the Emerson Ceiling Fan are covered by this limited warranty for a period of one (1) year from its date of original retail purchase. ANY IMPLIED WARRANTY, INCLUDING WITHOUT LIMITATION, ANY IMPLIED WARRANTY OF MERCHANTABILITY OR FITNESS FOR A PARTICULAR PURPOSE THAT IS AVAILABLE TO YOU UNDER THE LAWS OF YOUR STATE OR PROVINCE SHALL COVER THE MOTOR FOR THE EXPECTED LIFETIME OF THE MOTOR (SUBJECT TO PROPER USE), AND FOR ONE YEAR WITH RESPECT TO COMPONENTS AND ACCESSORIES.

No Other Express or Implied Warranty Applies:

THE LIMITED WARRANTIES PROVIDED ABOVE ARE THE SOLE AND EXCLUSIVE WARRANTIES PROVIDED BY EMERSON TO YOU FOR YOUR EMERSON CEILING FAN, AND ARE IN LIEU OF ALL OTHER WARRANTIES, WRITTEN OR ORAL, EXPRESS OR IMPLIED, WHETHER ARISING BY OPERATION OF LAW OR OTHERWISE, WHETHER OR NOT THE PURPOSE HAS BEEN DISCLOSED AND WHETHER OR NOT THE EMERSON CEILING FAN HAS BEEN SPECIFICALLY DESIGNED OR MANUFACTURED FOR YOUR USE OR PURPOSE. EMERSON HEREBY DISCLAIMS ANY AND ALL IMPLIED WARRANTIES, INCLUDING WITHOUT LIMITATION, IMPLIED WARRANTIES OF MERCHANTABILITY OR FITNESS FOR A PARTICULAR PURPOSE FOR COMPONENTS AND ACCESSORIES AS OF THE EXPIRATION OF THE ONE YEAR WARRANTY PERIOD FOR SUCH COMPONENTS AND ACCESSORIES. IMPLIED WARRANTIES OF MERCHANTABILITY OR FITNESS FOR A PARTICULAR PURPOSE FOR THE MOTOR PORTION OF THE EMERSON CEILING FAN ARE LIKEWISE DISCLAIMED BY EMERSON AT SUCH TIME THAT THE EXPECTED LIFETIME OF THE EMERSON CEILING FAN UNDER NORMAL USAGE HAS BEEN REACHED. EXCLUSIONS OR LIMITATIONS OF IMPLIED WARRANTIES MAY VARY FROM STATE TO STATE AND PROVINCE TO PROVINCE SO THE ABOVE LIMITATIONS MAY NOT APPLY TO YOU.

What We Will Do To Correct Problems:

If during the one (1) year warranty period the motor or any component or accessory of your Emerson Ceiling Fan is defective in materials or workmanship, or if during the expected lifetime of the Emerson Ceiling Fan (when used in accordance with the User Manual or other instructions) the motor is defective in materials or workmanship, you must contact Emerson during the applicable warranty period. If the defect is covered by warranty, Emerson will repair or replace the defective motor, component or other accessory at no charge to you. If repair of the motor, component or accessory is not practical or possible within a reasonable time and no replacement Emerson Ceiling Fan can be provided, Emerson will refund to you the actual purchase price of your Emerson Ceiling Fan. We will ship the repaired or the replacement Emerson Ceiling Fan to you at no charge, but you are responsible for all costs of removal and reinstallation of your Emerson Ceiling Fan.

How You Can Receive Warranty Service:

You must be the original retail purchaser and have proof of your purchase of the Emerson Ceiling Fan to obtain your remedy under this limited warranty. You can return your Emerson Ceiling Fan to your place of purchase, or you can call Emerson Customer Service at 1-800-237-6511 to obtain a return authorization and service identification tag. In order for us to confirm that your Emerson Ceiling Fan is still under warranty, please retain your receipt or other proof of purchase and have that information readily available when returning your Emerson Ceiling Fan to your place of purchase, or upon calling Emerson Customer Service. If you call Emerson Customer Service, prior to your call please be prepared to provide all model numbers shown on your Emerson Ceiling Fan. Once we have processed your return authorization request, we will provide you with a postage paid return label which should be affixed to the Emerson Ceiling Fan package you ship to the address listed at the end of this limited warranty. The return label will be sent to the mailing address you provide to us by phone.

What Is Not Covered:

This limited warranty does not extend to and expressly excludes:

- The glass globes and light bulbs of your Emerson Ceiling Fan,
- Loss or damage to the motor or any component or accessory caused by normal wear and tear, rather than due to defects in materials or workmanship,
- Loss or damage resulting from conditions beyond our reasonable control, including without limitation, repairs not made at our factory or authorized service center, use of parts or accessories not provided to you as part of this warranty by our factory or authorized service center, mishandling, unreasonable use, misuse, abuse, modifications or other damage caused by you or a third party to your Emerson Ceiling Fan while not in our possession,
- Loss or damage resulting from improper installation, or other failure to comply with instructions in your Owner's Manual.

This limited warranty is deemed null and void upon the occurrence of either of the following events:

- You cease to own the Emerson Ceiling Fan product, or
- The Emerson Ceiling Fan is moved from its original point of installation.

This limited warranty is only valid within the 50 United States, the District of Columbia, and Canada. No other written or oral warranties apply, and no employee, agent, dealer or other person is authorized to give any warranties on behalf of Air Comfort Products or Emerson Electric Co.

Limitation of Liability

REPAIR, REPLACEMENT OR A REFUND ARE THE EXCLUSIVE REMEDIES AVAILABLE TO YOU UNDER THIS LIMITED WARRANTY. TO THE EXTENT PERMITTED BY LAW, IN NO EVENT SHALL EMERSON OR ANY EMERSON AUTHORIZED DEALER BE LIABLE FOR ANY INCIDENTAL, SPECIAL, INDIRECT, OR CONSEQUENTIAL DAMAGES, INCLUDING ANY ECONOMIC LOSS, WHETHER RESULTING FROM NONPERFORMANCE, USE, MISUSE OR INABILITY TO USE THE EMERSON CEILING FAN OR FOR THE NEGLIGENCE OF EMERSON OR AN EMERSON AUTHORIZED DEALER. EMERSON SHALL NOT BE LIABLE FOR DAMAGES CAUSED BY DELAY IN PERFORMANCE AND IN NO EVENT, REGARDLESS OF THE FORM OF THE CLAIM OR CAUSE OF ACTION (WHETHER BASED IN CONTRACT, INFRINGEMENT, NEGLIGENCE, STRICT LIABILITY, OTHER TORT OR OTHERWISE), SHALL EMERSON'S OR ANY EMERSON AUTHORIZED AGENT'S LIABILITY TO YOU OR ANY INDIVIDUAL USING THE EMERSON CEILING FAN EXCEED THE PRICE PAID BY THE ORIGINAL OWNER FOR THE EMERSON CEILING FAN. The term "consequential damages" shall include, but not be limited to, loss of anticipated profits, business interruption, loss of use or revenue, cost of capital or loss or damage to property or equipment.

How State and Provincial Law Relates To The Warranty:

Some states and provinces do not allow the exclusion or limitation of incidental or consequential damages so the above exclusion or limitation may not apply to you. This limited warranty gives you specific legal rights, and you may also have other rights which vary from state to state or province to province.

DATE CODE: _____

The date code of this fan may be found on the box, stamped in ink on a white label. You should record this data above and keep it in a safe place for future use.



EMERSON™

Air Comfort Products

DIVISION OF EMERSON ELECTRIC CO.
8100 W. Florissant • St. Louis, MO 63136

Questions, problems, missing parts: Before returning to the store call
Emerson Electric Customer Service
8 a.m. - 6 p.m., Eastern, Monday-Friday

1-800-654-3545

www.emersonfans.com

Retain this manual for future use.