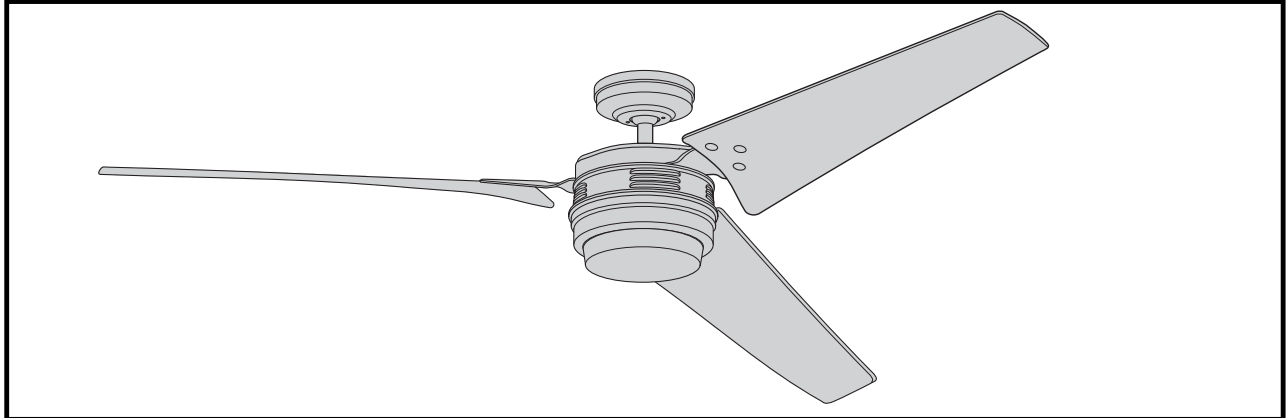


READ AND SAVE THESE INSTRUCTIONS



EMERSON™



4TH AVENUE™
60" Ceiling Fan Owner's Manual

Model Numbers

**CF766BS00 - Brushed Steel
with Chocolate Blades**

**CF766SW00 - Satin White
with Satin White Blades**

**CF766ORB00 - Oil Rubbed Bronze
with Oil Rubbed Bronze Blades**

**CF766VS00 - Vintage Steel
with Riverwash Blades**

**CF766SBS00 - Brushed Steel
with Brushed Steel Blades**

Net Weight: **28.9** Lbs.

Questions, problems, missing parts: Before returning to the store call
Emerson Electric Customer Service
8 a.m. - 6 p.m., Eastern, Monday-Friday

1-800-654-3545

www.emersonfans.com

Part No. F40BP74710001
Revision: 131015

Form No. BP7471-1
ETL Model No.: CF766

Table of Contents

Section	Page	Section	Page
Safety Instructions	.2	7. Using Your Ceiling Fan	.11-12
1. Unpacking Instructions	.3-4	8. Maintenance	.13
2. Electrical Requirements	.4	9. Accessories	.13
3. Ceiling Fan Assembly	.5-8	10. Energy Efficient Use of Ceiling Fans	.13
4. How to Hang Your Ceiling Fan	.8	11. Trouble Shooting	.14
5. How to Wire Your Ceiling Fan	.9	10. Repair Parts	.16-17
6. Installation of Glass Shade	.10	Ceiling Fan Limited Warranty	.19

READ AND SAVE THESE INSTRUCTIONS

Safety Instructions

WARNING

TO REDUCE THE RISK OF FIRE, ELECTRICAL SHOCK, OR INJURY TO PERSONS, OBSERVE THE FOLLOWING:

- Use this unit only in a manner intended by the manufacturer. If you have questions, contact the manufacturer.
- Before servicing or cleaning unit, switch power off at service panel and lock service panel disconnecting means to prevent power from being switched on accidentally. When the service disconnecting means cannot be locked, securely fasten a warning device, such as a tag, to the service panel.

- Read your owner's manual carefully and keep it for future reference.
- Be careful of the fan and blades when cleaning, painting, or working near the fan. Always turn off the power to the ceiling fan before servicing.
- Do not put anything into the fan blades while they are turning.
- Do not operate reversing switch until fan blades have come to a complete stop.

Additional Safety Instructions for Installation

- To avoid possible shock, be sure electricity is turned off at the fuse box before wiring, and do not operate fan without blades.
- All wiring must be in accordance with the National Electrical Code "ANSI/NFPA 70-2014" and Local Electrical Codes. Use the National Electrical Code if Local Codes do not exist. The ceiling fan must be grounded as a precaution against possible electrical shock. Electrical installation should be made or approved by a licensed electrician.

- The outlet box and joist must be securely mounted and capable of reliably supporting at least 50 pounds. Use only U.L. outlet boxes listed as "Acceptable for Fan Support of 22.7 kg. (50 lbs.) or less", and use the mounting screws provided with the outlet box. Most outlet boxes commonly used for support of light fixtures are not acceptable for fan support and may need to be replaced. Consult a qualified electrician if in doubt.
- The downrod furnished with the fan provides the minimum recommended floor to fan blade clearance for an 8 foot ceiling.
- The fan must be mounted with the fan blades at least 7 feet from the floor to prevent accidental contact with the fan blades.
- Follow the recommended instructions for the proper method of wiring your ceiling fan. If you do not know enough about electrical wiring, have your fan installed by a licensed electrician.

WARNING: To reduce the risk of electrical shock, this fan must be installed with an isolating wall control/switch.

NOTE: This fan is suitable for use with solid-state speed controls.

WARNING: This product is designed to use only those parts supplied with this product and/or any accessories designated specifically for use this product by Emerson Electric Co. Substitution of parts or accessories not designated for use with this product by Emerson could result in personal injury or property damage.

WARNING: To reduce the risk of personal injury, do not bend the blade flange when installing the blade flanges, balancing the blades or cleaning the fan. Do not insert foreign objects in between rotating fan blades.

WARNING: To reduce the risk of fire or electrical shock, this fan should only be used with fan speed control. Model No. SW405, manufactured by Rhine Electric Co., LTD.

NOTE: All setscrews must be checked and re-tightened where necessary before installation.

DATE CODE: _____

The date code of this fan may be found on the box, stamped in ink on a white label. You should record this data above and keep it in a safe place for future use.

1. Unpacking Instructions

⚠ WARNING

Do not install or use fan if any part is damaged or missing. Call Toll-Free:

1-800-654-3545

⚠ WARNING

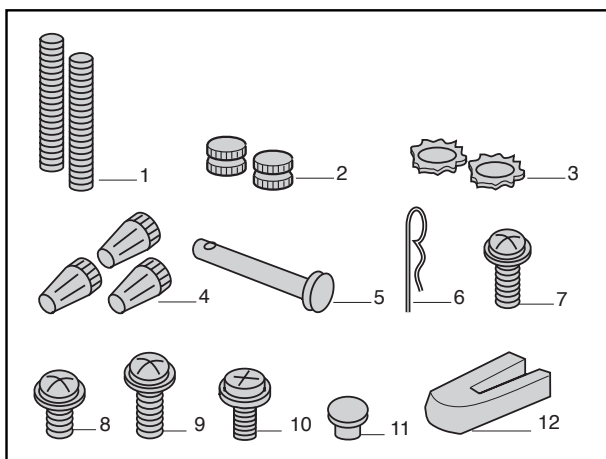
This product is designed to use only those parts supplied with this product and/or any accessories designated specifically for use with this product by Emerson Electric Co. Substitution of parts or accessories not designated for use with this product by Emerson Electric Co. could result in personal injury or property damage.

1. Check to see that you have received the following parts:

NOTE: If you are uncertain of part description, refer to exploded view illustration.

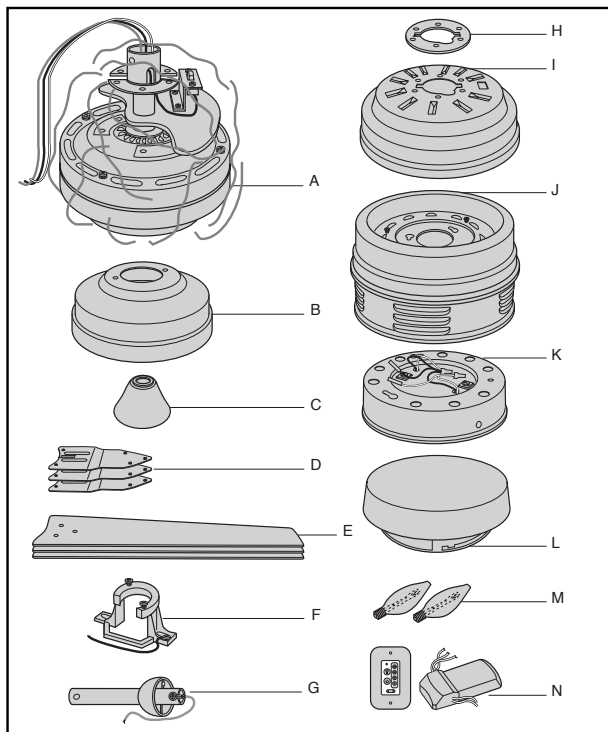
HARDWARE CONTENTS

Part	Description	Quantity
1	Threaded Studs, #8-32 x 1-1/4"	2
2	Knurled Knobs, #8-32	2
3	Lockwashers, External Tooth #8	2
4	Wire Connectors, E3	3
5	Clevis Pin	1
6	Hairpin Clip	1
7	1/4-20 x 1/2" Pan Head Screws with Lockwashers	7
8	#10-32 x 1/4" Washer Head Screws	10
9	#8-32 x 1/2" Pan Head Screws with Lockwashers	7
10	#8-32 x 3/8" Pan Head Screw	1
11	Decorative Nuts	10
12	Blade Balance Kit	1



PACKAGE CONTENTS

Part	Description	Quantity
A	Fan Motor Assembly	1
B	Ceiling Canopy	1
C	Coupler Cover	1
D	Blade Flanges	3
E	Fan Blades	3
F	Hanger Bracket	1
G	Hanger Ball/8" Downrod Assembly	1
H	Upper Housing Plate	1
I	Upper Housing	1
J	Lower Housing	1
K	Light Kit Assembly	1
L	Glass Bowl	1
M	60-Watt (max.) Candelabra Bulbs	2
N	Receiver/SW405 Wall Control	1



NOTE: Place the parts from the loose parts bags in a small container to keep them from being lost. If any parts are missing, contact your local retailer or catalog outlet for replacement before proceeding.

2. Remove the fan assembly from the protective plastic bag. Place the fan assembly into the upper foam pad with the top of the motor facing up.

The upper foam pad serves as a holder for the fan during the first stages of assembly.

emersonfans.com

Please contact 1-800-654-3545 for further assistance

ETL Model No.: CF766

1. Unpacking Instructions (continued)

This Manual Is Designed to Make it as Easy as Possible for You to Assemble, Install, Operate and Maintain Your Ceiling Fan

Tools Needed for Assembly

One Phillips head screwdriver
One stepladder
One wire stripper

<u>Installed Wire Length</u>	<u>Wire Size A.W.G.</u>
Up to 50 ft.	14
50-100 ft.	12

Materials

Wiring outlet box and box connectors must be of type required by the local code. The minimum wire would be a 3-conductor (2-wire with ground) of following size:

WARNING

Before assembling your ceiling fan, refer to section on proper method of wiring your fan (page 9). If you feel you do not have enough wiring knowledge or experience, have your fan installed by a licensed electrician.

2. Electrical Requirements

Your new ceiling fan will require a grounded electrical supply line of 120 volts AC, 60 Hz, 15 amp circuit.

WARNING

To reduce the risk of fire, electric shock, or personal injury, mount fan to outlet box marked "Acceptable for Fan Support of 22.7 kg. (50 lbs.) or less", and use screws supplied with outlet box. Most outlet boxes commonly used for support of light fixtures are not acceptable for fan support and may need to be replaced. Consult a qualified electrician if in doubt.

The outlet box must be securely anchored and capable of withstanding a load of at least 50 pounds.

If your fan is to replace an existing ceiling light fixture, turn electricity off at the main fuse box at this time and remove the existing light fixture.

WARNING

To avoid fire or shock, follow all wiring instructions carefully.

Any electrical work not described in these instructions should be done or approved by a licensed electrician.

3. Ceiling Fan Assembly

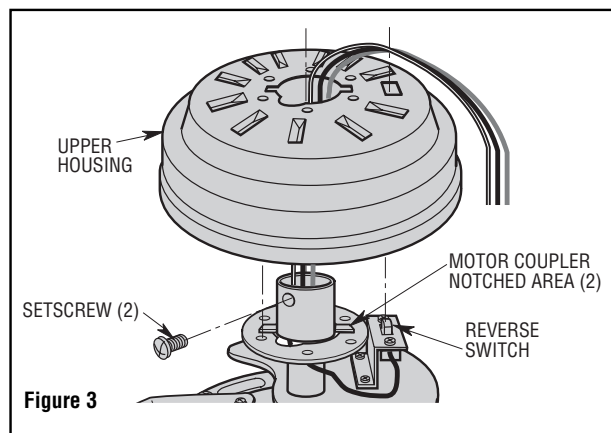
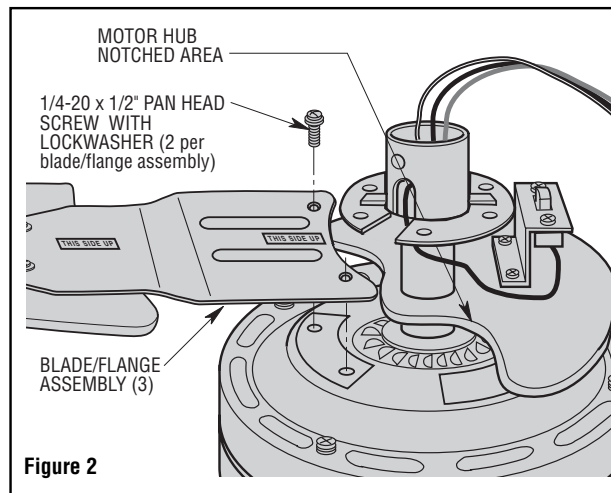
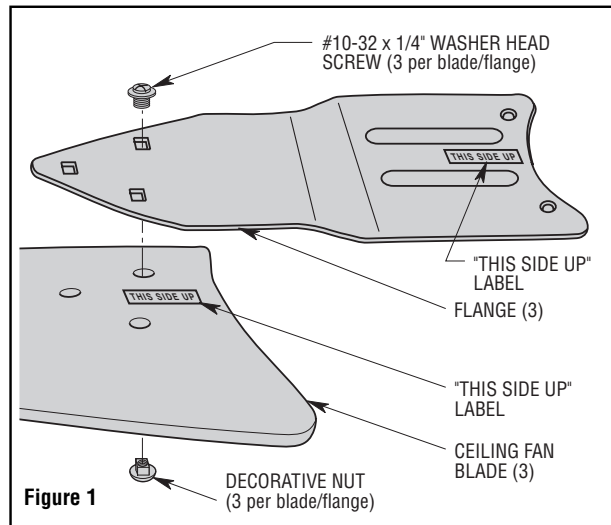
1. Position the flange marked "THIS SIDE UP" on top of the blade marked "THIS SIDE UP" (Figure 1).
2. Place a decorative nut through the underside of the blade and attach the blade flange to the fan blade using the #10-32 x 1/4" washer head screw. Use three screws with lockwashers per blade assembly (Figure 1).
3. Repeat this procedure for the remaining two blades and flanges.

⚠ WARNING

To reduce the risk of personal injury, do not bend the blade flange when installing the blade flanges, balancing the blades or cleaning the fan. Do not insert foreign objects in between rotating fan blades.

NOTE: Take care not to scratch fan housing when installing blades.

4. Rotate the motor hub so the notched area is above the screw holes in the motor hub. Install one blade assembly on the top of the motor assembly using two 1/4-20 x 1/2" pan head screws with lockwashers (supplied) (Figure 2).
5. Repeat this procedure for the remaining two blades assemblies.
6. Remove the two setscrews from the top of the motor coupler (Figure 3). Retain the setscrews for future use.
7. Position the upper housing onto the upper housing plate aligning the two notched areas, the six screw holes and the reverse switch hole (Figure 3).



emersonfans.com

Please contact 1-800-654-3545 for further assistance

ETL Model No.: CF766

3. Ceiling Fan Assembly (continued)

8. Place the upper housing plate so that the two notched areas align with the two studs on the motor coupler. Aligning the six screw holes of the upper housing plate onto the motor hub. Firmly attach the upper housing to the motor hub/upper housing plate by using the six #8-32 x 1/2" pan head screws with lockwashers (supplied) (Figure 4).
9. Remove the hanger ball by loosening the setscrew in the hanger ball until the ball falls freely down the downrod (Figure 5). Remove the pin from the downrod, then remove the hanger ball. Retain the pin and hanger ball for reinstallation in Step 12.
10. Separate, untwist and unkink the three 80" motor leads. Route the motor lead wires through the downrod. Align the clevis pin holes in the downrod with the holes in the motor coupler. Install the clevis pin and secure with the hairpin clip (Figure 6). The clevis pin must go through the holes in the motor coupler and the holes in the downrod. Be sure to push the straight leg of the hairpin clip through the hole near the end of the clevis pin until the curved portion of the hairpin clip snaps around the clevis pin. The hairpin clip must be properly installed to prevent the clevis pin from working loose. Pull on the downrod to make sure the clevis pin is properly installed.
11. While pulling up on the downrod, reinstall and tighten the two setscrews (previously removed in Step 6) in the motor coupler (Figure 6).

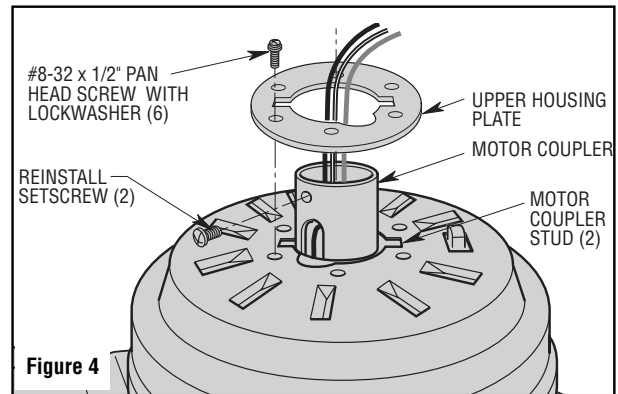


Figure 4

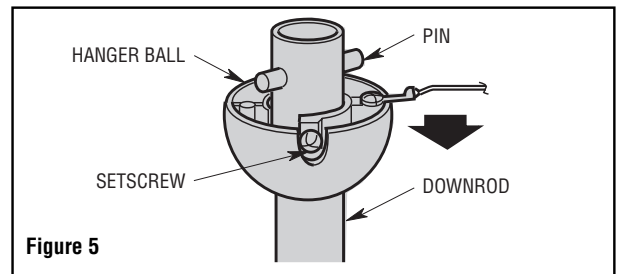


Figure 5

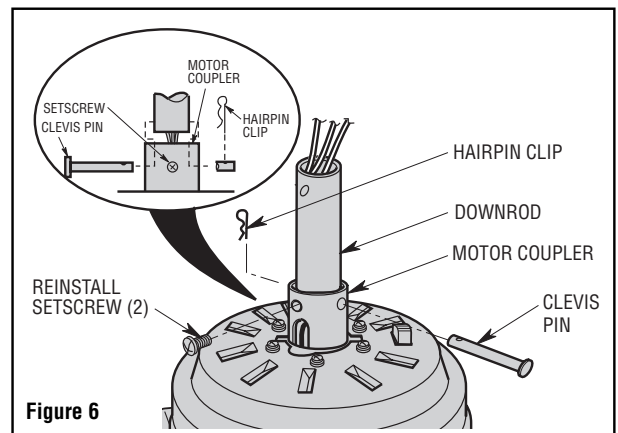


Figure 6

⚠ WARNING

It is critical that the clevis pin in the motor coupler is properly installed and the setscrews securely tightened. Failure to verify that the pin and setscrews are properly installed (as shown in Figure 6) could result in the fan falling.

12. Make sure the grommet is properly installed in the coupler cover, then slide the coupler cover on the downrod until it rests on the motor housing. Place the ceiling cover over the downrod. Be sure that the ceiling cover and the coupler cover are both oriented correctly (Figure 7).
13. Reinstall the hanger ball (Figure 7) on the downrod as follows. Route the three 80" motor leads through the hanger ball. Position the pin through the two holes in the downrod and align the hanger ball so the pin is captured in the groove in the top of the hanger ball. Pull the hanger ball up tight against the pin and securely tighten the setscrew in the hanger ball. A loose setscrew could create fan wobble.

⚠ WARNING

It is critical that the pin in the hanger ball is properly installed and the setscrew securely tightened. Failure to verify that the pin and setscrew are properly installed could result in the fan falling.

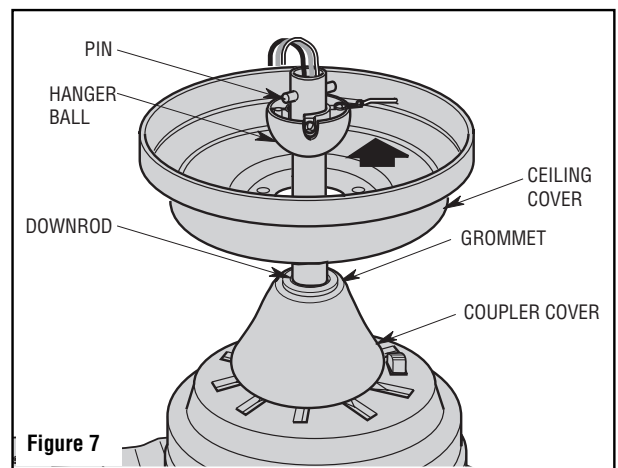


Figure 7

3. Ceiling Fan Assembly (continued)

14. The fan comes with blue, black and white leads that are 80-inches long. Before installing the fan, measure up approximately 6 to 9-inches above top of hanger ball/downrod assembly. Cut off excess leads and strip back insulation 1/2-inch from end of leads.

15. Carefully rotate the partial assembled ceiling fan and place gently into the styrofoam to complete the final installation of the fan.

16. Remove one of the screws from the switch adapter. Retain for future installation. Loosen the two remaining screws in the switch adapter for installation of the lower housing (Figure 8).

17. Place the lower housing onto the switch adapter. Rotate the lower housing clockwise on the switch adapter to engage the keyholes onto the loosened screws. Retighten the two screws and reinstall the screw previously removed. Tighten all three screws securely (Figure 8).

18. Engage the white wire connector of the light kit assembly with the white wire connector of the motor connector (Figure 9). Engage the black wire connector of the light kit assembly with the black wire connector of the motor connector. Make sure the connector latches are closed properly.

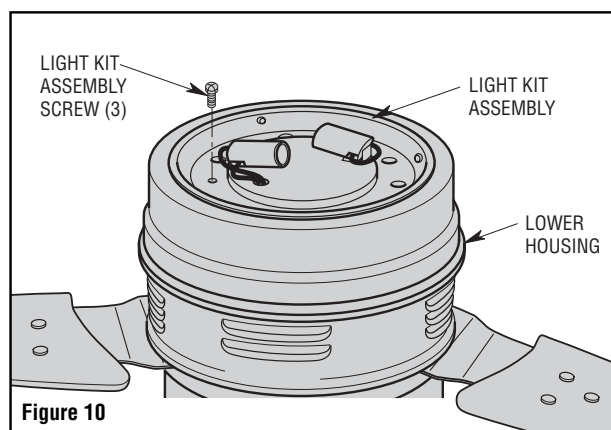
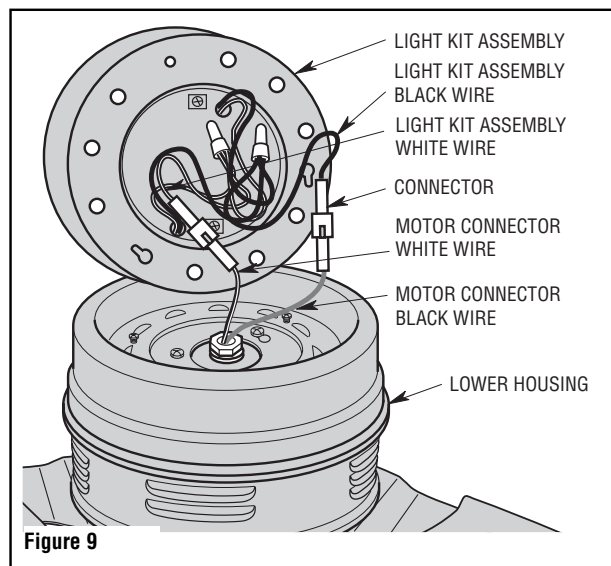
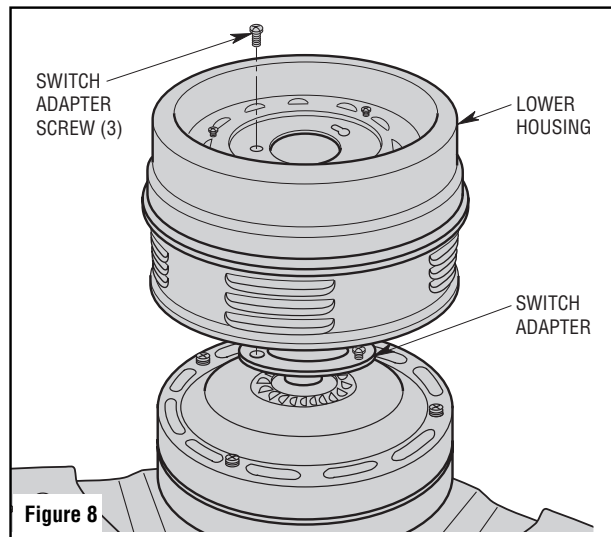
19. Carefully tuck all wires and splices into the light kit assembly.

NOTE: Do not pinch wires between the lower housing and the switch adapter.

20. Remove one of the screws from the lower housing. Retain for future installation. Loosen the two remaining screws in the lower housing for installation of the light kit assembly (Figure 10).

21. Place the light kit assembly onto the lower housing. Rotate the light kit assembly clockwise on the lower housing to engage the keyholes onto the loosened screws. Retighten the two screws and reinstall the screw previously removed. Tighten all three screws securely (Figure 10).

22. You have now completed the partial assembly of your new ceiling fan. You can now proceed with hanging and wiring your fan.



4. How to Hang Your Ceiling Fan

⚠ WARNING

The fan must be hung with at least 7' of clearance from floor to blades (Figure 11).

⚠ WARNING

The outlet box and joist must be securely mounted and capable of supporting at least 50 lbs. Use only a U.L. outlet box listed as "Acceptable for Fan Support of 22.7 kg. (50 lbs.) or less".

⚠ WARNING

To reduce the risk of fire, electric shock, or personal injury, mount fan to outlet box marked "Acceptable for Fan Support of 22.7 kg. (50 lbs.) or less", and use screws supplied with outlet box. Most outlet boxes commonly used for support of light fixtures are not acceptable for fan support and may need to be replaced. Consult a qualified electrician if in doubt.

1. Securely attach the hanger bracket to the outlet box using the two screws supplied with the outlet box. (Figure 12.)

⚠ WARNING

Hanger bracket must seat firmly against outlet box. If the outlet box is recessed, remove wall board until bracket contacts box. If bracket and/or outlet box are not securely attached, the fan could wobble or fall.

2. Carefully lift the fan and seat the hanger ball/downrod assembly on the hanger bracket that was just attached to the outlet box (Figure 13). Be sure the groove in the ball is lined up with tab on the hanger bracket (Figure 12).

⚠ WARNING

Failure to seat tab in groove could cause damage to electrical wires and possible shock or fire hazard.

⚠ WARNING

To avoid possible fire or shock, do not pinch wires between the hanger ball/downrod assembly and hanger bracket.

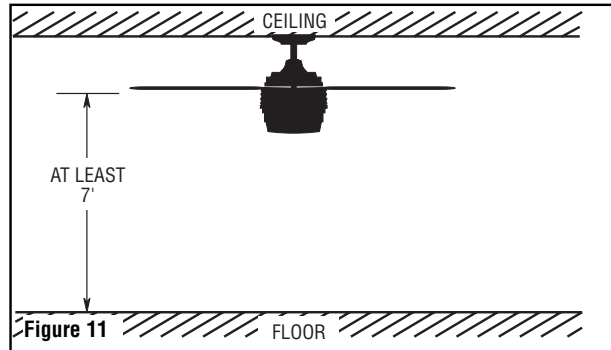


Figure 11

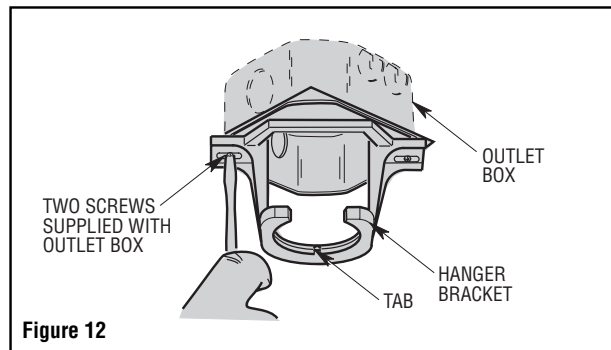


Figure 12

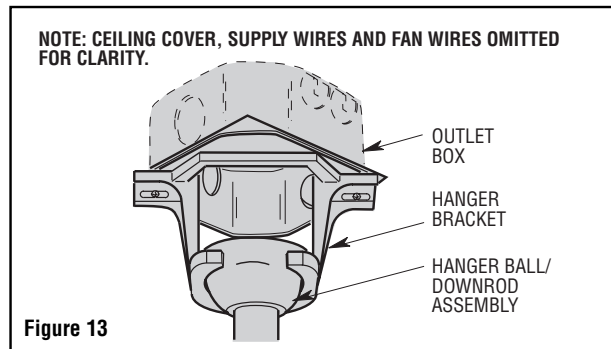


Figure 13

5. How to Wire Your Ceiling Fan

If you feel that you do not have enough electrical wiring knowledge or experience, have your fan installed by a licensed electrician.

⚠ WARNING

To avoid possible electrical shock, be sure electricity is turned off at the main fuse box before wiring.

NOTE: If you are not sure if the outlet box is grounded, contact a licensed electrician for advice, as it must be grounded for safe operation.

⚠ WARNING

Turning off wall switch is not sufficient. To avoid possible electrical shock, be sure electricity is turned off at the main fuse box before wiring. All wiring must be in accordance with National and Local codes and the ceiling fan must be properly grounded as a precaution against possible electrical shock.

CAUTION: To reduce the risk of electrical shock, disconnect the electrical supply circuit before installing the fan, light kit or receiver.

1. Position the supply wires to the left side of the outlet box (Figure 14); position the fan wires to the right side. Partially insert the remote control receiver (flat side up) until one end rests on the hanger ball as shown in Figure 14.

NOTE: Make all wiring connections using wire connectors (supplied). Make sure that all connections are tight, including ground, and that no bare wire is visible at the wire connectors, except for the ground wire.

⚠ WARNING

Check to see that all connections are tight, including ground, and that no bare wire is visible at the wire connectors, except for the ground wire. Do not operate fan until blades are in place. Noise and fan damage could result.

2. Refer to Figure 14 and 15 and connect the receiver wires to the supply wires and the fan motor wires as follows:
 - a. Securely connect the green grounding wires from the hanger ball and the hanger bracket to the supply grounding conductor (this may be a bare wire or a wire with green insulation).
 - b. Securely connect the supply white (neutral) wire to the receiver white (AC IN N) wire.
 - c. Securely connect the supply black wire (hot) wire to the receiver black (AC IN L) wire.

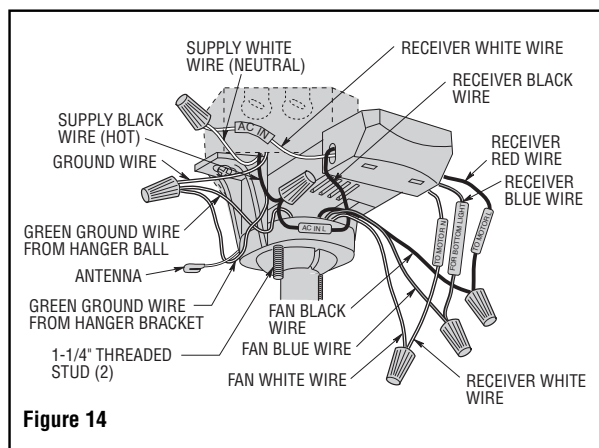


Figure 14

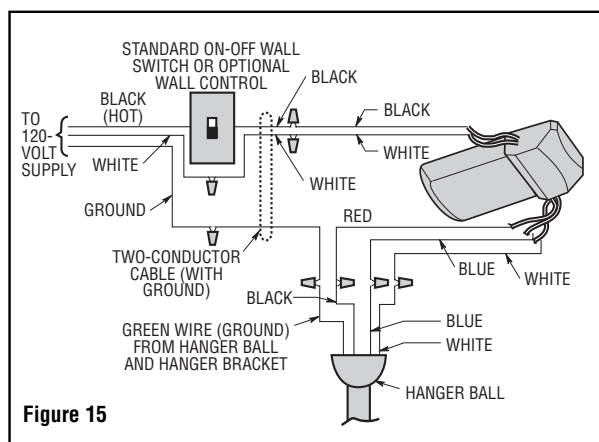


Figure 15

- d. Securely connect the fan motor white wire to the receiver white (TO MOTOR N) wire.
- e. Securely connect the fan motor black wire to the receiver red (TO MOTOR L) wire.
- f. Securely connect the fan motor blue wire to the receiver blue (FOR LIGHT) wire.

emersonfans.com

Please contact 1-800-654-3545 for further assistance
ETL Model No.: CF766

6. Installation of Glass Shade

1. Install two 60-watt (maximum) candelabra base light bulbs (included) into the light fitter sockets (Figure 16).

⚠ WARNING

Over lamping the fan will result in the light bulbs being automatically shut off. Use only 60-watt maximum candelabra light bulbs. Turn off the electricity before replacing the light bulbs.

2. Place the glass into the opening in the light kit assembly, aligning the three flat areas on the top edge of the glass with the three light kit tips on the light kit assembly and turn the glass bowl clockwise until it stops (Figure 17).

⚠ WARNING

To avoid possible fire hazard, do not exceed wattage indicated on the light kit assembly.

NOTE: It is advisable to periodically check that the glass is seated fully clockwise in the light kit assembly.

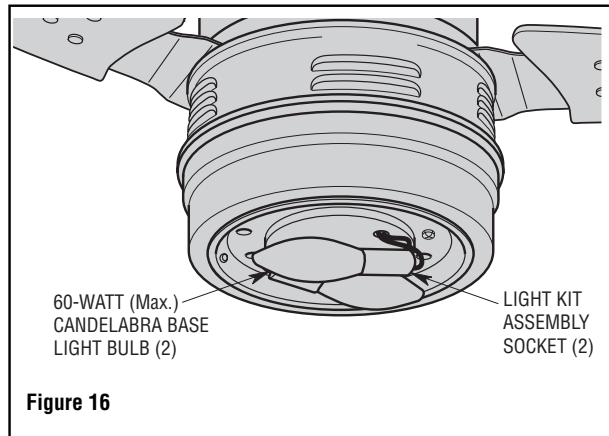


Figure 16

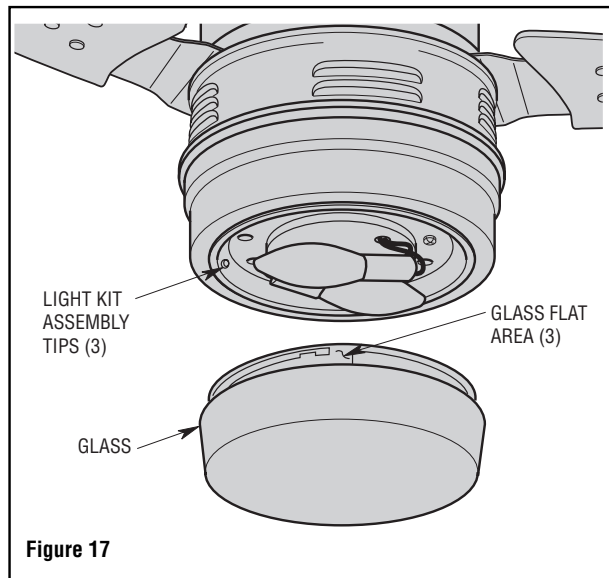


Figure 17

7. Using Your Ceiling Fan

⚠ WARNING

To avoid possible fire or shock, make sure that the electrical wires are completely inside the outlet box and not pinched between the ceiling cover and the ceiling.

1. Push the wires and connectors up into the outlet box while inserting the receiver fully into the hanger bracket.
2. Position the antenna wire on top of the receiver.
3. Screw the two threaded studs (supplied) into the tapped holes in the hanger bracket.
4. Lift the ceiling canopy up to the threaded studs and turn until studs protrude through the holes in the ceiling canopy (Figure 18).
5. Secure the ceiling canopy in place by sliding lockwashers over the threaded studs and installing the two knurled knobs (supplied). (Figure 18). Tighten the knurled knobs securely until the ceiling canopy fits snugly against the ceiling and the hole in the ceiling canopy is clear of the downrod.

General

This control is designed to operate only one ceiling fan

6. Before disconnecting power, ensure that the fan is set at the highest speed.

NOTE: Electric connections should be in accordance with the National Electrical Codes and all Local Codes. Before starting, disconnect power to the circuit at the fuse box or circuit breaker panel.

7. Remove the faceplate and screws from the existing wall switch. Pull switch out from wall outlet box.
8. Disconnect wire from existing fan wall switch (Figure 19).

Setting Operating Frequency of Wall Control

Your wall control has code switches which must be set in one of 32 possible code combinations. The five levers (numbered 1, 2, 3, 4, and 5) on the switches are factory-set in the ON (up) position. Change the switch settings as follows:

9. Slide the five switch levers in the wall control to your choice of ON (up) or down positions. Use a ball-point pen or small screwdriver and slide the levers firmly up or down.
10. When the power is restored after installation, push and hold the fan off button (⏻) for 3 to 5 seconds to set the code in the receiver.

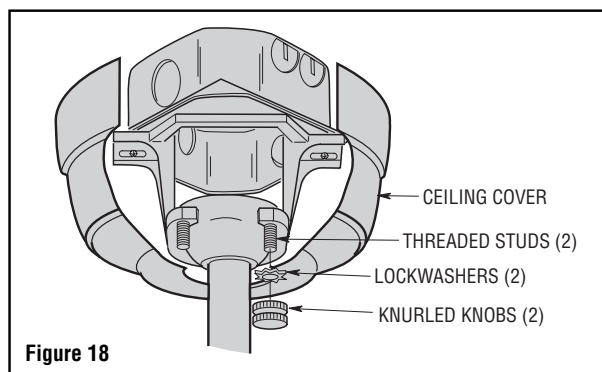


Figure 18

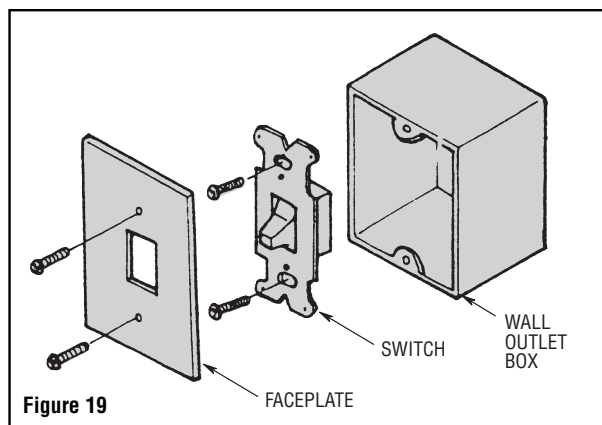


Figure 19

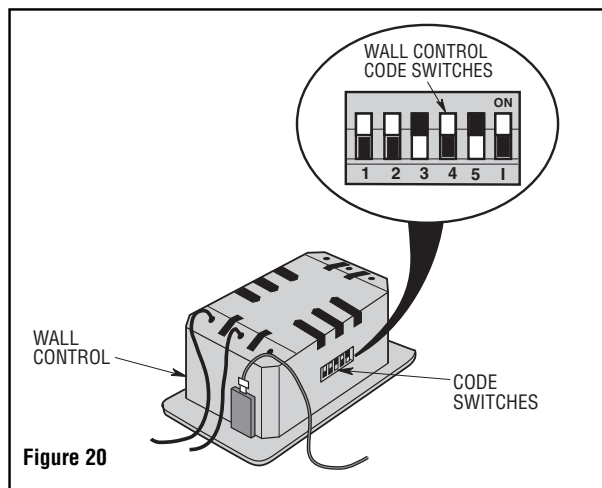


Figure 20

11. The sixth switch marked ON and I is for dimming control of lights: Set switch to ON to allow for dimming of the lights.

NOTE: Use wire connectors (supplied) to secure electrical connections.

7. Using Your Ceiling Fan (continued)

12. Connect one black wire of wall control to the “hot” wire. Securely connect wires with wire connectors supplied (Figure 21).
13. Connect one black wire of wall switch to the “load” (black) wire in wall box. Securely connect wires with wire connector supplied.
14. Screw wall control into wall box and install decorator style faceplate (included). Leave wall control in “OFF” mode until fan installation is completed.

Operation of Your Wall Control

Your wall control has full control of your fan and light.

NOTE: Prior to operation of the fan and light from the wall control, set the fan speed to HIGH (----) and turn the light ON (Ⓛ).

15. To set the desired fan speed, press one of the four buttons (., .., ---, ----) to operate your fan on from low to high speeds.
16. To turn the light on and off, press and release the LIGHT (Ⓛ) button. To set the light intensity, press and hold the LIGHT (Ⓛ) button. The light will turn on at the light intensity previously selected (Figure 22).

Operation of Your Reverse Switch

IMPORTANT

Fan installation must be completed, including the installation of the fan blades, before testing of the controls.

17. Restore electrical power to the outlet box by turning the electricity on at the main fuse box.
18. All fans are shipped from the factory with the reversing switch positioned to the “left” circulate air downward. If airflow is desired in opposite direction, turn your fan OFF and wait for the blades to stop turning, then slide the reversing switch to the “right” position, and turn fan on again (Figure 23).
19. The fan blades will turn in the opposite direction and reverse the airflow.

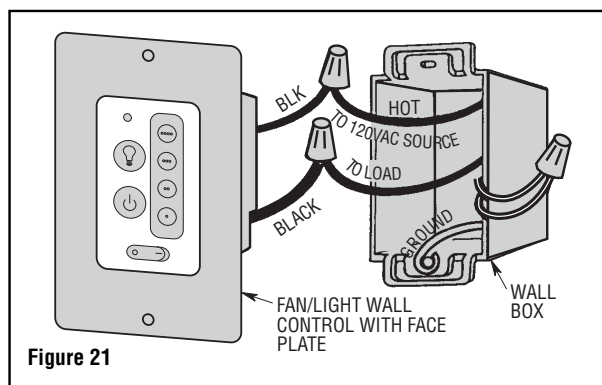


Figure 21

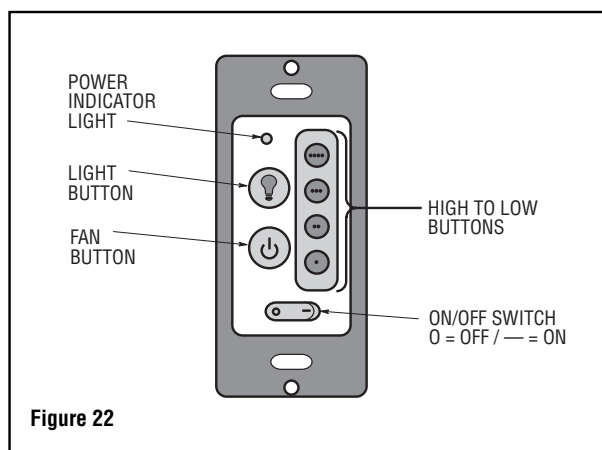


Figure 22

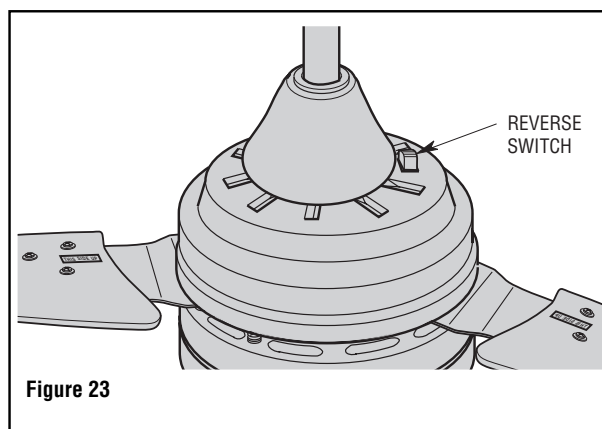


Figure 23

Please call Emerson technical support at 1-800-654-3545 if you have any questions about installation and operation of this ceiling fan.

Reverse Switch Information

Season	Rotation Direction	Switch Position
Summer	Counter-Clockwise	Left
Winter	Clockwise	Right

8. Maintenance

IMPORTANT CARE INSTRUCTIONS for your Ceiling Fan

Periodic cleaning of your new ceiling fan is the only maintenance that is needed.

When cleaning, use only a soft brush or lint free cloth to avoid scratching the finish.

Abrasive cleaning agents are not required and should be avoided to prevent damage to finish.

WARNING

Do not use water when cleaning your ceiling fan. It could damage the motor or the blades and create the possibility of an electrical shock.

9. Accessories

1. Ceiling Fan/Light Controls (see store or catalog).
2. Downrod Extension Kits (see store or catalog).

WARNING

The use of any other control not specifically approved for this fan could result in fire, shock and personal injury.

WARNING

This product is designed to use only those parts supplied with this product and/or any accessories designated specifically for use with this product by Emerson Electric Co. Substitution of parts or accessories not designated for use with this product by Emerson Electric Co. could result in personal injury or property damage.

10. Energy Efficient Use of Ceiling Fans

Ceiling fan performance and energy savings rely heavily on the proper installation and use of the ceiling fan. Here are a few tips to ensure quality and product performance.

Choosing the Appropriate Mounting Location. Ceiling fans should be installed, or mounted, in the middle of the room and at least 7 feet above the floor and 18 inches from the walls. If ceiling height allows, install the fan 8 - 9 feet above the floor for optimal airflow. Consult your Emerson Retailer for optional mounting accessories.

Using the Ceiling Fan Year Round. In the summer, use the ceiling fan in the counter-clockwise direction. The airflow produced by the ceiling fan creates a wind-chill effect, making you "feel" cooler. Select a fan speed that provides a comfortable breeze, lower speeds consume less energy. In the winter, reverse the motor and operate the ceiling fan at low speed in the clockwise direction. This produces a gentle updraft, which forces warm air near the ceiling down into the occupied space. Remember to adjust your thermostat when using your ceiling fan - additional energy and dollar savings could be realized with this simple step!

Turn Off When Not in the Room. Ceiling fans cool people, not rooms. If the room is unoccupied, turn off the ceiling fan to save energy.

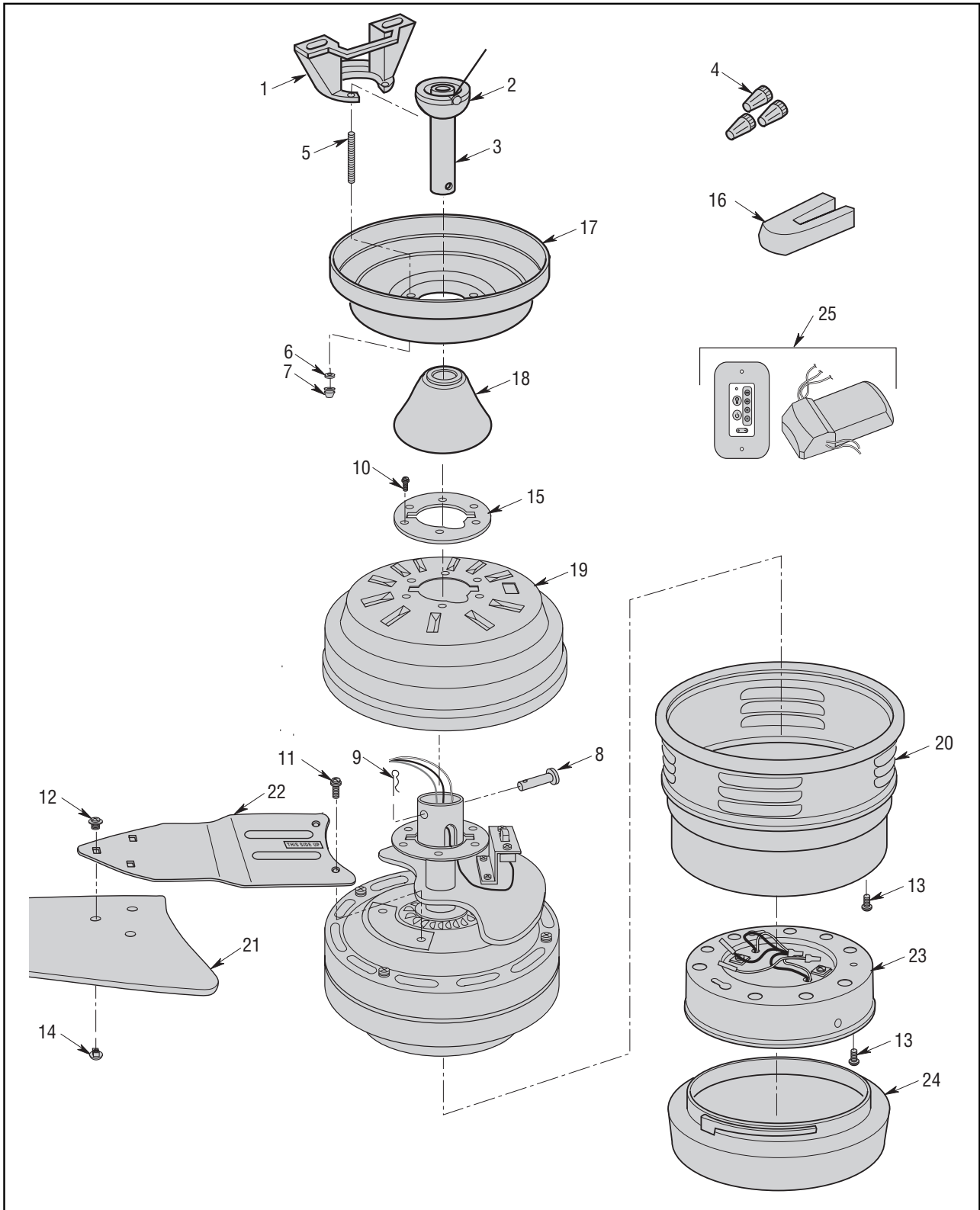
11. Trouble Shooting

⚠ WARNING: FOR YOUR OWN SAFETY TURN OFF POWER AT FUSE BOX OR CIRCUIT BREAKER BEFORE TROUBLE SHOOTING YOUR FAN.

TROUBLE	PROBABLE CAUSE	SUGGESTED REMEDY
1. Fan will not start.	<ol style="list-style-type: none"> 1. Fuse or circuit breaker blown. 2. Loose power line connections to the fan, or loose switch wire connections in the switch housing. 3. Reversing switch in neutral position. 	<ol style="list-style-type: none"> 1. Check main and branch circuit fuses or circuit breakers. 2. Check line wire connections to fan and switch wire connections in the switch housing. wire connections in the switch housing. <p>▲ WARNING: Make sure main power is turned off.</p> <ol style="list-style-type: none"> 3. Make sure reversing switch position is all the way to one side.
2. Fan sounds noisy.	<ol style="list-style-type: none"> 1. Blades not attached to fan. 2. Screws securing fan blade flanges to motor are loose. 3. Wire connectors inside lower housing rattling. 4. Motor noise caused by solid-state variable speed control. 5. Screws holding blades to flanges are loose. 	<ol style="list-style-type: none"> 1. Attach blades to fan before operating. 2. Check to make sure the screws which attach the fan flanges to the motor are tight. 3. Check to make sure wire connectors in lower housing are not rattling against each other or against the interior wall of the lower housing. <p>▲ WARNING: Make sure main power is turned off.</p> <ol style="list-style-type: none"> 4. Some fan motors are sensitive to signals from Solid-State variable speed controls. If Solid-State Control is used and motor noise results choose an alternative control method. 5. Tighten screws securely.
3. Fan wobbles excessively.	<ol style="list-style-type: none"> 1. Setscrews in motor coupler are not tightened securely. 2. Setscrew in the hangerball/downrod assembly is loose. 3. Screws securing fan blade flanges to motor are loose 4. Fan blade flanges not seated properly. 5. Hanger bracket and/or ceiling outlet box is not securely fastened 6. Fan blades out of balance. 	<ol style="list-style-type: none"> 1. Raise coupler cover and tighten setscrews securely. 2. Tighten the setscrew in the hangerball/downrod assembly. 3. Check to be sure screws which attach the fan blade flanges to the motor are tight. 4. Check to be sure the fan blade flanges seat firmly and uniformly to the surface of the motor. If flanges are seated incorrectly, loosen the flange screws and retighten according to the procedure in the section on "Ceiling Fan Assembly". 5. Tighten the hanger bracket screws to the outlet box, and/or secure outlet box. 6. Interchanging an adjacent (side-by-side) blade pair can redistribute the weight and result in smoother operation.

Notes

12. Repair Parts



12. Repair Parts Listing

Key No.	Description	Model Numbers				
		CF766BS00	CF766ORB00	CF766SBS00	CF766SW00	CF766VS00
*	Hanger Ball Assembly, Consisting of:	761655-67	761655-50	761655-67	761655-95	761655-94
1	Hanger Bracket	—	—	—	—	—
2	Hanger Ball	—	—	—	—	—
3	Downrod, 8"	—	—	—	—	—
*	Parts Bag Containing:	764398-1	764398-2	764398-1	764398-4	764398-3
4	Wire Connector (3)	—	—	—	—	—
5	Threaded Stud (2)	—	—	—	—	—
6	Lockwasher (2)	—	—	—	—	—
7	Knurled Knob (2)	—	—	—	—	—
8	Pin, Clevis	—	—	—	—	—
9	Clip, Hairpin	—	—	—	—	—
10	Screw, Pan Head with Lockwasher #8-32 x 1/2" (7)	—	—	—	—	—
11	Screw, Pan Head with Lockwasher 1/4-20 x 1/2" (7)	—	—	—	—	—
12	Screw, Washer Head #10-32 x 1/4" (10)	—	—	—	—	—
13	Screw, Pan Head #8-32 x 3/8" (1)	—	—	—	—	—
14	Nut, Decorative (10)	—	—	—	—	—
15	Upper Housing Plate	—	—	—	—	—
16	Blade Balance Kit	—	—	—	—	—
17	Ceiling Canopy	764348-BS	764348-ORB	764348-BS	764348-SW	764348-VS
18	Coupler Cover	764360-BS	764360-ORB	764360-BS	764360-SW	764360-VS
19	Upper Housing	764349-BS	764349-ORB	764349-BS	764349-SW	764349-VS
20	Lower Housing	764352-BS	764352-ORB	764352-BS	764352-SW	764352-VS
21	Blade Flange (set of 3)	764402	764402-1	764402	764402-SW	764402-2
22	Fan Blade (set of 3)	764350-CH	764350-ORB	764350-BS	764350-SW	764350-RW
23	Light Kit Assembly	764401-BS	764401-ORB	764401-BS	764401-SW	764401-VS
24	Glass	764354	764354	764354	764354	764354-1
25	Wall Control / Receiver	SW405/RCFP	SW405/RCFP	SW405/RCFP	SW405/RCFP	SW405/RCFP
—	Owner's Manual	BP7471-1	BP7471-1	BP7471-1	BP7471-1	BP7471-1

Before discarding packaging material, be certain all parts have been removed.

HOW TO ORDER REPAIR PARTS

WHEN ORDERING REPAIR PARTS, ALWAYS GIVE THE FOLLOWING INFORMATION:

- PART NUMBER • NAME OF ITEM
- PART DESCRIPTION • MODEL NUMBER

The model number of your Fan will be found on a label attached to the top housing.

For repair parts, phone 1-800-654-3545.

emersonfans.com

Please contact 1-800-654-3545 for further assistance

ETL Model No.: CF766

Notes

Emerson Air Comfort Ceiling Fan Limited Warranty

What The Limited Warranty Covers:

This limited warranty is offered by Air Comfort Products division of Emerson Electric Co. ("Emerson" "we" or "us") located at the address stated below to the original retail purchaser ("you" or "your") of an Emerson Air Comfort Ceiling Fan product ("Emerson Ceiling Fan") and covers the motor and the other components and accessories of the Emerson Ceiling Fan against all defects in workmanship and materials.

What The Period Of Coverage Is:

This limited warranty will cover the Emerson Ceiling Fan motor for the expected lifetime of your Emerson Ceiling Fan (when operated in accordance with your Owner's Manual or other instructions provided by Emerson to you with the Emerson Ceiling Fan). All other components and accessories of the Emerson Ceiling Fan are covered by this limited warranty for a period of one (1) year from its date of original retail purchase. ANY IMPLIED WARRANTY, INCLUDING WITHOUT LIMITATION, ANY IMPLIED WARRANTY OF MERCHANTABILITY OR FITNESS FOR A PARTICULAR PURPOSE THAT IS AVAILABLE TO YOU UNDER THE LAWS OF YOUR STATE OR PROVINCE SHALL COVER THE MOTOR FOR THE EXPECTED LIFETIME OF THE MOTOR (SUBJECT TO PROPER USE), AND FOR ONE YEAR WITH RESPECT TO COMPONENTS AND ACCESSORIES.

No Other Express or Implied Warranty Applies:

THE LIMITED WARRANTIES PROVIDED ABOVE ARE THE SOLE AND EXCLUSIVE WARRANTIES PROVIDED BY EMERSON TO YOU FOR YOUR EMERSON CEILING FAN, AND ARE IN LIEU OF ALL OTHER WARRANTIES, WRITTEN OR ORAL, EXPRESS OR IMPLIED, WHETHER ARISING BY OPERATION OF LAW OR OTHERWISE, WHETHER OR NOT THE PURPOSE HAS BEEN DISCLOSED AND WHETHER OR NOT THE EMERSON CEILING FAN HAS BEEN SPECIFICALLY DESIGNED OR MANUFACTURED FOR YOUR USE OR PURPOSE. EMERSON HEREBY DISCLAIMS ANY AND ALL IMPLIED WARRANTIES, INCLUDING WITHOUT LIMITATION, IMPLIED WARRANTIES OF MERCHANTABILITY OR FITNESS FOR A PARTICULAR PURPOSE FOR COMPONENTS AND ACCESSORIES AS OF THE EXPIRATION OF THE ONE YEAR WARRANTY PERIOD FOR SUCH COMPONENTS AND ACCESSORIES. IMPLIED WARRANTIES OF MERCHANTABILITY OR FITNESS FOR A PARTICULAR PURPOSE FOR THE MOTOR PORTION OF THE EMERSON CEILING FAN ARE LIKEWISE DISCLAIMED BY EMERSON AT SUCH TIME THAT THE EXPECTED LIFETIME OF THE EMERSON CEILING FAN UNDER NORMAL USAGE HAS BEEN REACHED. EXCLUSIONS OR LIMITATIONS OF IMPLIED WARRANTIES MAY VARY FROM STATE TO STATE AND PROVINCE TO PROVINCE SO THE ABOVE LIMITATIONS MAY NOT APPLY TO YOU.

What We Will Do To Correct Problems:

If during the one (1) year warranty period the motor or any component or accessory of your Emerson Ceiling Fan is defective in materials or workmanship, or if during the expected lifetime of the Emerson Ceiling Fan (when used in accordance with the User Manual or other instructions) the motor is defective in materials or workmanship, you must contact Emerson during the applicable warranty period. If the defect is covered by warranty, Emerson will repair or replace the defective motor, component or other accessory at no charge to you. If repair of the motor, component or accessory is not practical or possible within a reasonable time and no replacement Emerson Ceiling Fan can be provided, Emerson will refund to you the actual purchase price of your Emerson Ceiling Fan. We will ship the repaired or the replacement Emerson Ceiling Fan to you at no charge, but you are responsible for all costs of removal and reinstallation of your Emerson Ceiling Fan.

How You Can Receive Warranty Service:

You must be the original retail purchaser and have proof of your purchase of the Emerson Ceiling Fan to obtain your remedy under this limited warranty. You can return your Emerson Ceiling Fan to your place of purchase, or you can call Emerson Customer Service at 1-800-237-6511 to obtain a return authorization and service identification tag. In order for us to confirm that your Emerson Ceiling Fan is still under warranty, please retain your receipt or other proof of purchase and have that information readily available when returning your Emerson Ceiling Fan to your place of purchase, or upon calling Emerson Customer Service. If you call Emerson Customer Service, prior to your call please be prepared to provide all model numbers shown on your Emerson Ceiling Fan. Once we have processed your return authorization request, we will provide you with a postage paid return label which should be affixed to the Emerson Ceiling Fan package you ship to the address listed at the end of this limited warranty. The return label will be sent to the mailing address you provide to us by phone.

What Is Not Covered:

This limited warranty does not extend to and expressly excludes:

- The glass globes and light bulbs of your Emerson Ceiling Fan,
- Loss or damage to the motor or any component or accessory caused by normal wear and tear, rather than due to defects in materials or workmanship,
- Loss or damage resulting from conditions beyond our reasonable control, including without limitation, repairs not made at our factory or authorized service center, use of parts or accessories not provided to you as part of this warranty by our factory or authorized service center, mishandling, unreasonable use, misuse, abuse, modifications or other damage caused by you or a third party to your Emerson Ceiling Fan while not in our possession,
- Loss or damage resulting from improper installation, or other failure to comply with instructions in your Owner's Manual.

This limited warranty is deemed null and void upon the occurrence of either of the following events:

- You cease to own the Emerson Ceiling Fan product, or
- The Emerson Ceiling Fan is moved from its original point of installation.

This limited warranty is only valid within the 50 United States, the District of Columbia, and Canada. No other written or oral warranties apply, and no employee, agent, dealer or other person is authorized to give any warranties on behalf of Air Comfort Products or Emerson Electric Co.

Limitation of Liability

REPAIR, REPLACEMENT OR A REFUND ARE THE EXCLUSIVE REMEDIES AVAILABLE TO YOU UNDER THIS LIMITED WARRANTY. TO THE EXTENT PERMITTED BY LAW, IN NO EVENT SHALL EMERSON OR ANY EMERSON AUTHORIZED DEALER BE LIABLE FOR ANY INCIDENTAL, SPECIAL, INDIRECT, OR CONSEQUENTIAL DAMAGES, INCLUDING ANY ECONOMIC LOSS, WHETHER RESULTING FROM NONPERFORMANCE, USE, MISUSE OR INABILITY TO USE THE EMERSON CEILING FAN OR FOR THE NEGLIGENCE OF EMERSON OR AN EMERSON AUTHORIZED DEALER. EMERSON SHALL NOT BE LIABLE FOR DAMAGES CAUSED BY DELAY IN PERFORMANCE AND IN NO EVENT, REGARDLESS OF THE FORM OF THE CLAIM OR CAUSE OF ACTION (WHETHER BASED IN CONTRACT, INFRINGEMENT, NEGLIGENCE, STRICT LIABILITY, OTHER TORT OR OTHERWISE), SHALL EMERSON'S OR ANY EMERSON AUTHORIZED AGENT'S LIABILITY TO YOU OR ANY INDIVIDUAL USING THE EMERSON CEILING FAN EXCEED THE PRICE PAID BY THE ORIGINAL OWNER FOR THE EMERSON CEILING FAN. The term "consequential damages" shall include, but not be limited to, loss of anticipated profits, business interruption, loss of use or revenue, cost of capital or loss or damage to property or equipment.

How State and Provincial Law Relates To The Warranty:

Some states and provinces do not allow the exclusion or limitation of incidental or consequential damages so the above exclusion or limitation may not apply to you. This limited warranty gives you specific legal rights, and you may also have other rights which vary from state to state or province to province.

emersonfans.com

Please contact 1-800-654-3545 for further assistance

ETL Model No.: CF766



EMERSON™

Air Comfort Products

DIVISION OF EMERSON ELECTRIC CO.
8100 W. Florissant • St. Louis, MO 63136

Questions, problems, missing parts: Before returning to the store call
Emerson Electric Customer Service
8 a.m. - 6 p.m., Eastern, Monday-Friday

1-800-654-3545

www.emersonfans.com

Retain this manual for future use.