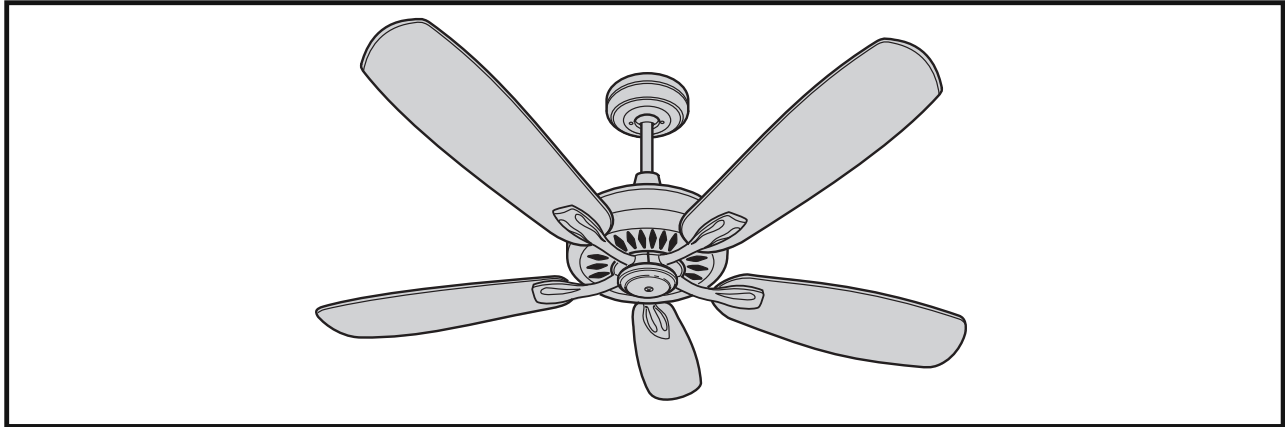


**READ AND SAVE THESE INSTRUCTIONS**



54", 60" or 72"  
Fan Blades  
Not Included

**EMERSON™**



**AVANT ECO™**

**Ceiling Fan Owner's Manual**

Model Numbers

**CF921BS01 - Brushed Steel**

**CF921GES01 - Golden Espresso**

**CF921ORB01 - Oil Rubbed Bronze**

**CF921SW01 - Satin White**

**CF921VNB01 - Venetian Bronze**



Net Weight: 16.6 Lbs.



Questions, problems, missing parts: Before returning to the store call  
Emerson Electric Customer Service  
8 a.m. - 6 p.m., EST, Monday-Friday

**1-800-654-3545**

**[www.emersonfans.com](http://www.emersonfans.com)**

Part No. F40BP74330003  
Revision: 131015

Form No. BP7433-3  
ETL Model No.: CF921

# Table of Contents

Section	Page	Section	Page
Safety Instructions	2	8. Maintenance	11
1. Unpacking Instructions	3-4	9. Accessories	11
2. Electrical Requirements	4	10. Optional Accent Kit Installation	12
3. Ceiling Fan Assembly	5-7	11. Trouble Shooting	13
4. How to Hang Your Ceiling Fan	7-8	12. Repair Parts	14-15
5. How to Wire Your Ceiling Fan	8-9	Ceiling Fan Limited Warranty	19
6. Remote Control Procedures	9-10		
7. Programming the Receiver Operating Frequency & High Speed Conditioning of Fan Control	11		

## READ AND SAVE THESE INSTRUCTIONS

### Safety Instructions

#### WARNING

TO REDUCE THE RISK OF FIRE, ELECTRICAL SHOCK, OR INJURY TO PERSONS, OBSERVE THE FOLLOWING:

- Use this unit only in a manner intended by the manufacturer. If you have questions, contact the manufacturer.
  - Before servicing or cleaning unit, switch power off at service panel and lock service panel disconnecting means to prevent power from being switched on accidentally. When the service disconnecting means cannot be locked, securely fasten a warning device, such as a tag, to the service panel.
- Read your owner's manual carefully and keep it for future reference.
  - Be careful of the fan and blades when cleaning, painting, or working near the fan. Always turn off the power to the ceiling fan before servicing.
  - Do not put anything into the fan blades while they are turning.
  - Do not operate reversing switch until fan blades have come to a complete stop.

#### Additional Safety Instructions for Installation

- To avoid possible shock, be sure electricity is turned off at the fuse box before wiring, and do not operate fan without blades.
- All wiring must be in accordance with the National Electrical Code "ANSI/NFPA 70-2014" and Local Electrical Codes. Use the National Electrical Code if Local Codes do not exist. The ceiling fan must be grounded as a precaution against possible electrical shock. Electrical installation should be made or approved by a licensed electrician.

- The outlet box and joist must be securely mounted and capable of reliably supporting at least 50 pounds. Use only U.L. outlet boxes listed as "Acceptable for Fan Support of 22.7kg. (50 lbs.) or less", and use the mounting screws provided with the outlet box. Most outlet boxes commonly used for support of light fixtures are not acceptable for fan support and may need to be replaced. Consult a qualified electrician if in doubt.
- The downrod furnished with the fan provides the minimum recommended floor to fan blade clearance for an 8 foot ceiling.
- The fan must be mounted with the fan blades at least 7 feet from the floor to prevent accidental contact with the fan blades.
- Follow the recommended instructions for the proper method of wiring your ceiling fan. If you do not know enough about electrical wiring, have your fan installed by a licensed electrician.

**WARNING:** To reduce the risk of electrical shock, this fan must be installed with an isolating wall control/switch.

**NOTE:** This fan is suitable for use with solid-state speed controls.

**WARNING:** To reduce the risk of fire or electrical shock, this fan should only be used with fan speed control, Model No. FR-7861LMG-02, manufactured by Rhine Electric Co., Ltd.

**WARNING:** To avoid fire, shock or injury, do not use an Emerson or any other brand of control not specifically approved for this fan.

**WARNING:** This product is designed to use only those parts supplied with this product and/or any accessories designated specifically for use this product by Emerson Electric Co. Substitution of parts or accessories not designated for use with this product by Emerson could result in personal injury or property damage.

**WARNING:** To reduce the risk of personal injury, do not bend the blade flange when installing the blade flanges, balancing the blades or cleaning the fan. Do not insert foreign objects in between rotating fan blades.

**NOTE:** All setscrews must be checked and re-tightened where necessary before installation.

DATE CODE: \_\_\_\_\_

The date code of this fan may be found on the box, stamped in ink on a white label. You should record this data above and keep it in a safe place for future use.

# 1. Unpacking Instructions

## ⚠ WARNING

Do not install or use fan if any part is damaged or missing. Call Toll-Free:

**1-800-654-3545**

## ⚠ WARNING

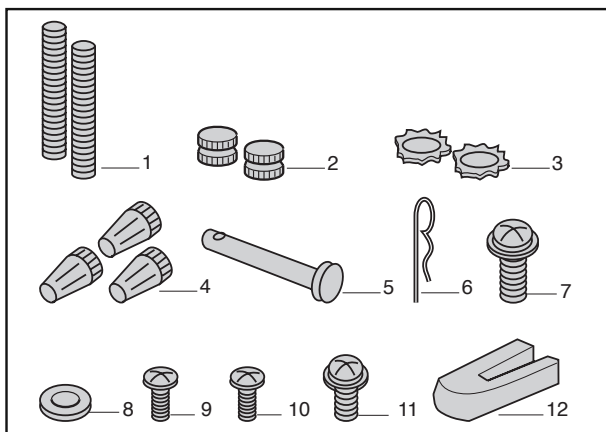
This product is designed to use only those parts supplied with this product and/or any accessories designated specifically for use with this product by Emerson Electric Co. Substitution of parts or accessories not designated for use with this product by Emerson Electric Co. could result in personal injury or property damage.

1. Check to see that you have received the following parts:

**NOTE: If you are uncertain of part description, refer to exploded view illustration.**

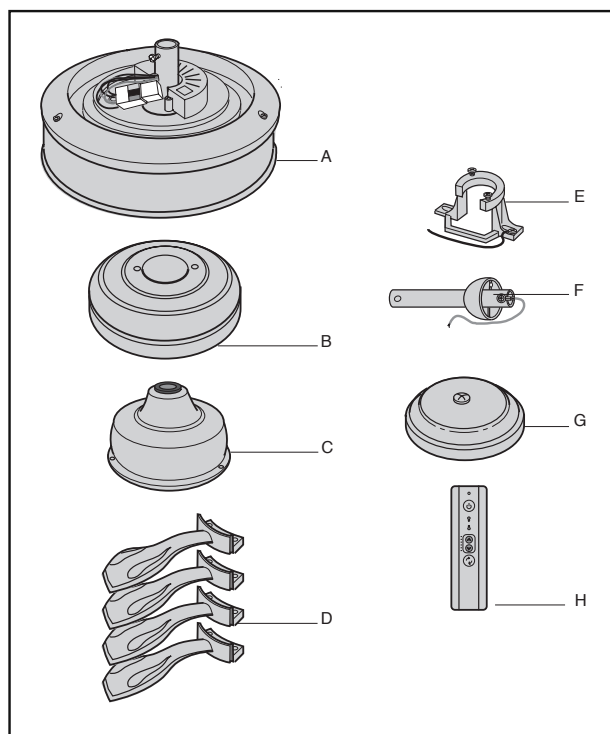
## HARDWARE CONTENTS

Part	Description	Quantity
1	Threaded Studs, #8-32 x 1-1/4"	2
2	Knurled Knobs, #8-32	2
3	Lockwashers, External Tooth #8	2
4	Wire Connectors	3
5	Clevis Pin	1
6	Hairpin Clip	1
7	#10-24 x 12mm Washer Head Blade Screws	21
8	16mm Flat Washers (OD)	21
9	#8-32 x 8mm Flat Head Screw (spare)	1
10	#8-32 x 8mm Pan Head Screw (spare)	1
11	1/4-20 x 14 Captive Screw with Lockwasher (spare)	1
12	Blade Balance Kit	1



## PACKAGE CONTENTS

Part	Description	Quantity
A	Fan Motor Assembly	1
B	Ceiling Canopy	1
C	Motor Coupling Cover	1
D	Fan Blades Flanges	5
E	Hanger Bracket	1
F	Hanger Ball/Downrod Assembly	1
G	Switch Housing Assembly	1
H	Remote Control	1



**NOTE: Place the parts from the loose parts bags in a small container to keep them from being lost. If any parts are missing, contact your local retailer or catalog outlet for replacement before proceeding.**

2. Remove the fan assembly from the protective plastic bag. Place the fan assembly into the upper foam pad with the top of the motor facing up.

The upper foam pad serves as a holder for the fan during the first stages of assembly.

emersonfans.com

Please contact 1-800-654-3545 for further assistance

ETL Model No.: CF921

# 1. Unpacking Instructions (continued)

This Manual Is Designed to Make it as Easy as Possible for You to Assemble, Install, Operate and Maintain Your Ceiling Fan

## Tools Needed for Assembly

One Phillips head screwdriver      One stepladder  
One 1/4" blade screwdriver      One wire stripper

## Materials

Wiring outlet box and box connectors must be of type required by the local code. The minimum wire would be a 3-conductor (2-wire with ground) of following size:

<u>Installed Wire Length</u>	<u>Wire Size A.W.G.</u>
Up to 50 ft.	14
50-100 ft.	12

Your Emerson ceiling fan comes supplied with a Fan/Light Remote Control which consists of a receiver mounted inside the ceiling cover of the fan motor housing. This system allows you to regulate your ceiling fan speed and light ON/OFF.

### **WARNING**

Before assembling your ceiling fan, refer to section on proper method of wiring your fan (page 8). If you feel you do not have enough wiring knowledge or experience, have your fan installed by a licensed electrician.

# 2. Electrical Requirements

**IMPORTANT:** Your ceiling fan will not function properly, and may be damaged, if used with any wall dimmer switch or control other than the Emerson Electric Fan/Light Remote Control supplied with the fan.

Your new ceiling fan will require a grounded electrical supply line of 120 volts AC, 60 Hz, 15 amp circuit.

The outlet box must be securely anchored and capable of withstanding a load of at least 50 pounds.

### **WARNING**

To reduce the risk of fire, electric shock, or personal injury, mount fan to outlet box marked "Acceptable for Fan Support of 22.7 kg. (50 lbs.) or less", and use screws supplied with outlet box. Most outlet boxes commonly used for support of light fixtures are not acceptable for fan support and may need to be replaced. Consult a qualified electrician if in doubt.

If your fan is to replace an existing ceiling light fixture, turn electricity off at the main fuse box at this time and remove the existing light fixture.

### **WARNING**

Turning off wall switch is not sufficient. To avoid possible electrical shock, be sure electricity is turned off at the main fuse box before wiring. All wiring must be in accordance with National and Local codes and the ceiling fan must be properly grounded as a precaution against possible electrical shock.

### **WARNING**

To avoid fire or shock, follow all wiring instructions carefully.

Any electrical work not described in these instructions should be done or approved by a licensed electrician.

### 3. Ceiling Fan Assembly

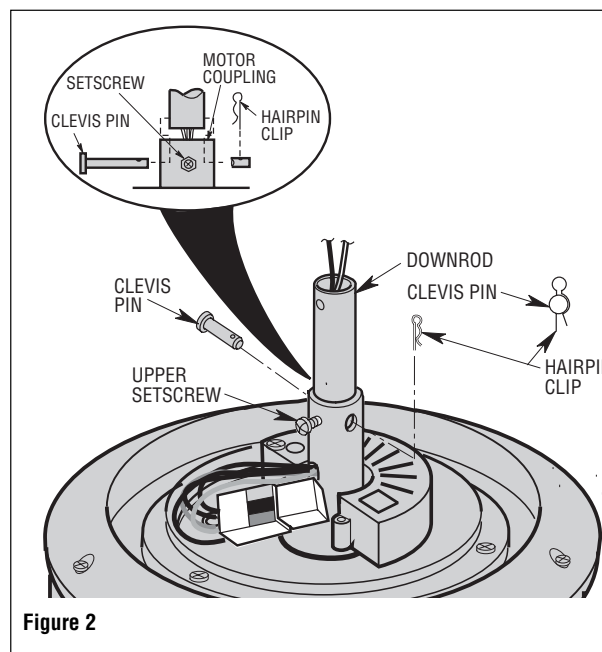
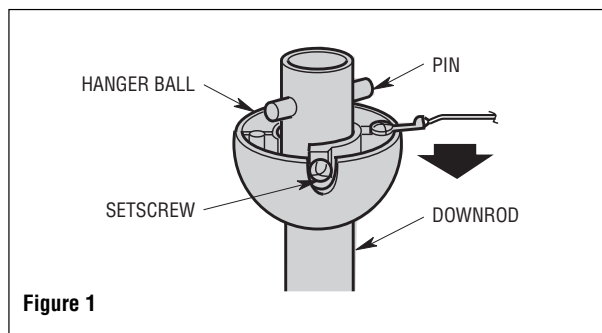
1. Remove the hanger ball by loosening the setscrew in the hanger ball until the ball falls freely down the downrod (Figure 1). Remove the pin from the downrod, then remove the hanger ball. Retain the pin and hanger ball for reinstallation in Step 4.
2. Separate, untwist and unkink the two 80" motor leads. Route the motor lead wires through the downrod. Remove the upper setscrew from the motor coupling. Align the clevis pin holes in the downrod with the holes in the motor coupling. Install the clevis pin and secure with the hairpin clip (Figure 2). The clevis pin must go through the holes in the motor coupling and the holes in the downrod. Be sure to push the straight leg of the hairpin clip through the hole near the end of the clevis pin until the curved portion of the hairpin clip snaps around the clevis pin. The hairpin clip must be properly installed to prevent the clevis pin from working loose. Pull on the downrod to make sure the clevis pin is properly installed. Reinstall the upper setscrew in the motor coupling. Check that the lower setscrew is tightened securely (Figure 2).

**NOTE: The setscrews must be properly installed as described above, or fan wobble could result.**

#### **WARNING**

It is critical that the clevis pin in the motor coupling is properly installed and the setscrews securely tightened. Failure to verify that the pin and setscrews are properly installed could result in the fan falling.

**NOTE: If LKU100 is being assembled, see Page 12, "Optional Accent Light Kit Installation" of instruction procedures.**



## 3. Ceiling Fan Assembly (continued)

3. Make sure the grommet is properly installed in the coupling cover, then slide the coupling cover on the downrod until it rests on the motor housing. Place the ceiling cover over the downrod. Be sure that the ceiling cover and the coupling cover are both oriented correctly (Figure 3).
4. Reinstall the hanger ball (Figure 3) on the downrod as follows. Route the two 80" motor leads through the hanger ball. Position the pin through the two holes in the downrod and align the hanger ball so the pin is captured in the groove in the top of the hanger ball. Pull the hanger ball up tight against the pin and securely tighten the setscrew in the hanger ball. A loose setscrew could create fan wobble.

### WARNING

It is critical that the pin in the hanger ball is properly installed and the setscrew securely tightened. Failure to verify that the pin and setscrew are properly installed could result in the fan falling.

5. The fan comes with black and white leads that are 80" long. Before installing fan, measure up approximately 6 to 9-inches above top of hanger ball/downrod assembly. Cut off excess leads and strip back insulation 1/2-inch from end of leads.
6. Carefully turn the partially assembled ceiling fan over and set it on the shipping styrofoam for blade installation.
7. Remove the shipping spacers and the spacer attachment screws from the motor before installation of blade assemblies. Discard the spacers and spacer screws (Figure 4).
8. Mount blade flanges to fan blades (sold separately) using four #10-24 x 12mm washer head blade screws and four 16mm flat washers (Figure 5).

**NOTE: Some accessory blades available are supplied with shorter screws. These shorter screws MUST be used to assemble the blades to flanges.**

**NOTE: Take care not to scratch fan housing when installing blades.**

**NOTE: Remove and discard the four shipping spacers and screws from the motor hub.**

9. Loosely attach one blade assembly to the motor hub using the two 1/4-20 x 14 captive screws with lockwashers. Make sure the screws are **NOT** tightened. (Figure 6.) Repeat this procedure for other four blade assemblies.

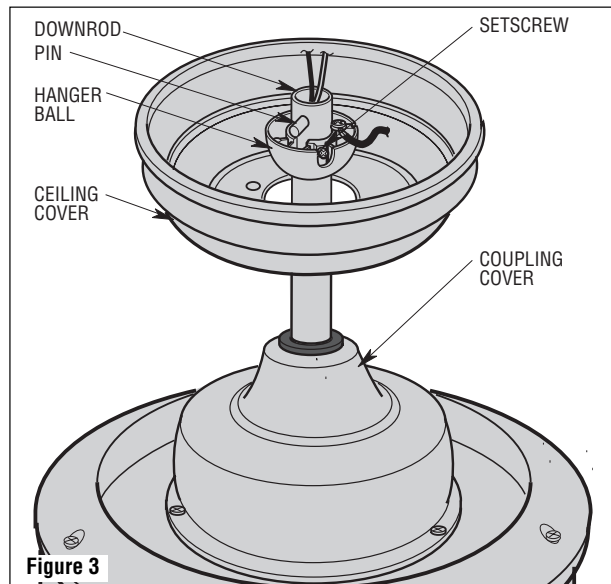


Figure 3

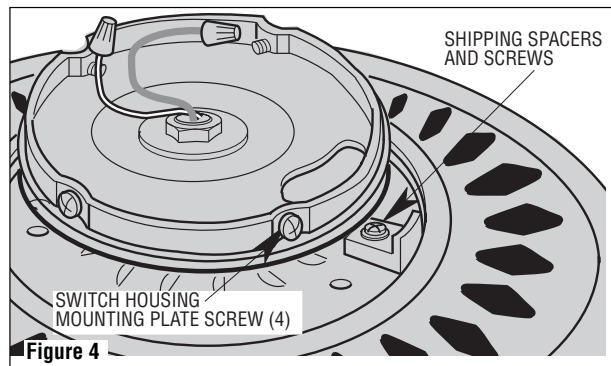


Figure 4

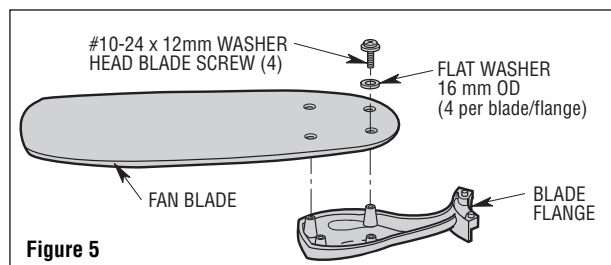


Figure 5

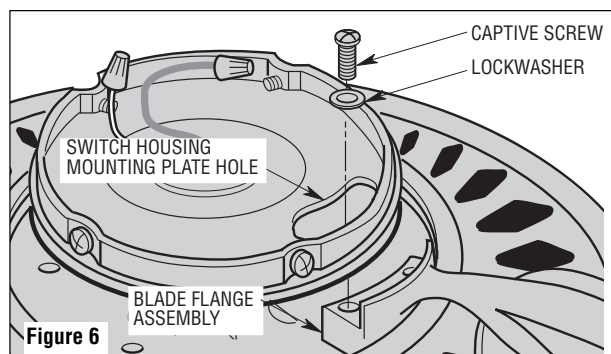


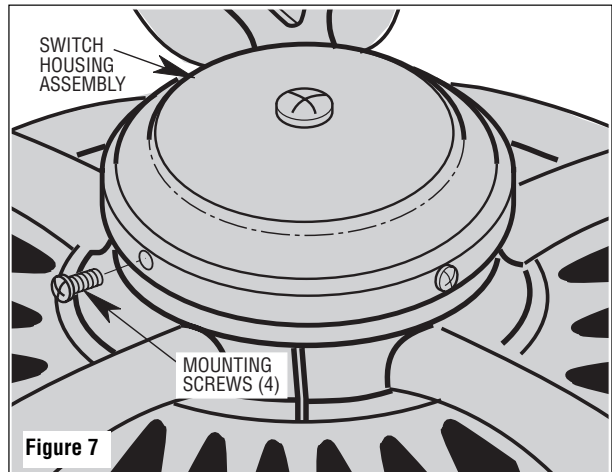
Figure 6



### 3. Ceiling Fan Assembly (continued)

10. The blade flanges have an interlocking feature that must be fully engaged before tightening the screw. Make sure all the flanges are properly engaged and then tighten the flange screws. If one of the flanges does not seat properly on the motor hub, loosen the adjacent flange screws, re-engage and reseat the flanges, then tighten the screws again.
11. Remove the four switch housing mounting screws (Figure 7) from the switch housing plate. Position the switch housing assembly on the switch housing plate and align the holes in the switch housing assembly with the holes in the plate. Secure the switch housing assembly by installing the four screws (Figure 7).

**NOTE:** Tuck in both the blue and white wires carefully under the switch housing cover



12. You have now completed the assembly of your new ceiling fan. You can now proceed with hanging and wiring your fan.

Please call Emerson technical support at 1-800-654-3545 if you have any questions about installation and operation of this ceiling fan.

#### **⚠ WARNING**

To reduce the risk of personal injury, do not bend the blade flange when installing the blade flanges, balancing the blades or cleaning the fan. Do not insert foreign objects in between rotating fan blades.

### 4. How to Hang Your Ceiling Fan

#### **⚠ WARNING**

The fan must be hung with at least 7' of clearance from floor to blades (Figure 8).

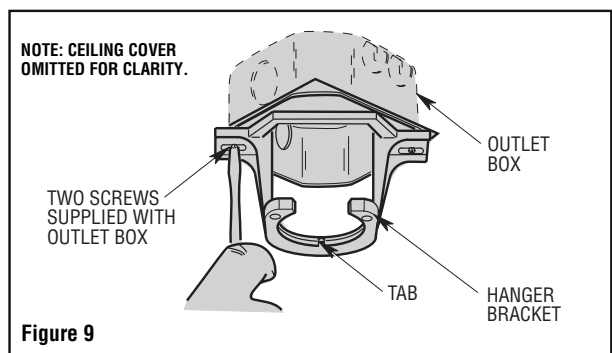
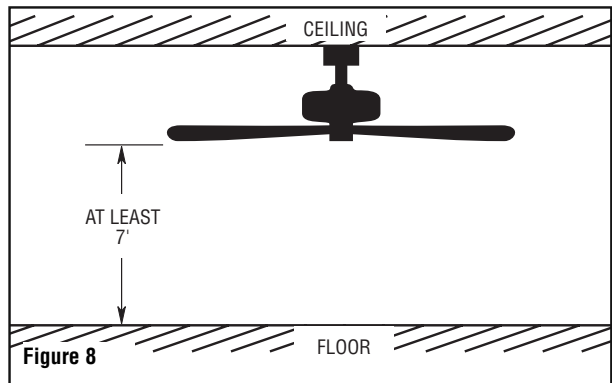
#### **⚠ WARNING**

The outlet box and joist must be securely mounted and capable of supporting at least 50 lbs. Use only a U.L. outlet box listed as "Acceptable for Fan Support of 22.7kg. (50 lbs.) or less".

#### **⚠ WARNING**

To reduce the risk of fire, electric shock, or personal injury, mount fan to outlet box marked "Acceptable for Fan Support of 22.7kg. (50 lbs.) or less", and use screws supplied with outlet box. Most outlet boxes commonly used for support of light fixtures are not acceptable for fan support and may need to be replaced. Consult a qualified electrician if in doubt.

1. Securely attach the hanger bracket to the outlet box using the two screws supplied with the outlet box. (Figure 9.)



emersonfans.com

Please contact 1-800-654-3545 for further assistance

ETL Model No.: CF921

## 4. How to Hang Your Ceiling Fan (continued)

### **⚠ WARNING**

Hanger bracket must seat firmly against outlet box. If the outlet box is recessed, remove wall board until bracket contacts box. If bracket and/or outlet box are not securely attached, the fan could wobble or fall.

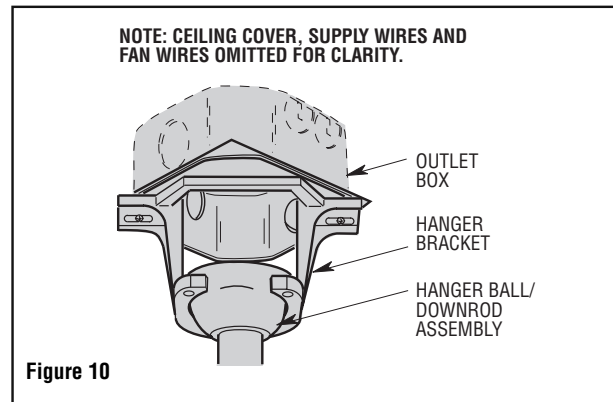
- Carefully lift the fan and seat the hanger ball/downrod assembly on the hanger bracket that was just attached to the outlet box (Figure 9). Be sure the groove in the ball is lined up with tab on the hanger bracket (Figure 10).

### **⚠ WARNING**

Failure to seat tab in groove could cause damage to electrical wires and possible shock or fire hazard.

### **⚠ WARNING**

To avoid possible fire or shock, do not pinch wires between the hanger ball/downrod assembly and hanger bracket.



## 5. How to Wire Your Ceiling Fan

If you feel that you do not have enough electrical wiring knowledge or experience, have your fan installed by a licensed electrician.

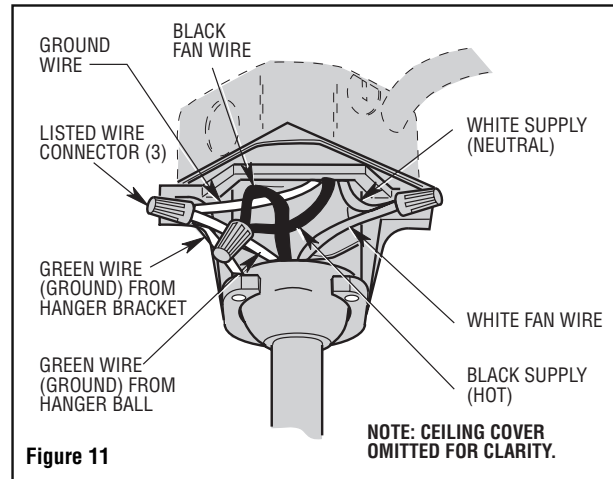
### **⚠ WARNING**

To avoid possible electrical shock, be sure electricity is turned off at the main fuse box before wiring.

**NOTE:** If you are not sure if the outlet box is grounded, contact a licensed electrician for advice, as it must be grounded for safe operation.

- Connect the green grounding lead from the hanger ball and the green grounding lead from the hanger bracket to the grounding conductor of supply (this may be a bare wire or wire with green colored insulation). Securely connect wires with wire connectors supplied.

**NOTE:** If you are using an Emerson Light Fixture with your fan, see Light Fixture Owner's Manual for wiring.



- Securely connect the fan motor white wire to the supply white (neutral) wire using wire connector supplied (Figure 11). Securely connect the fan motor black wire to the supply black (hot) wire using wire connector supplied (Figure 11). After connections have been made, turn leads upward and carefully push leads into the outlet box, with the white and green leads on one side of the outlet box and the black leads on the other side of the outlet box.

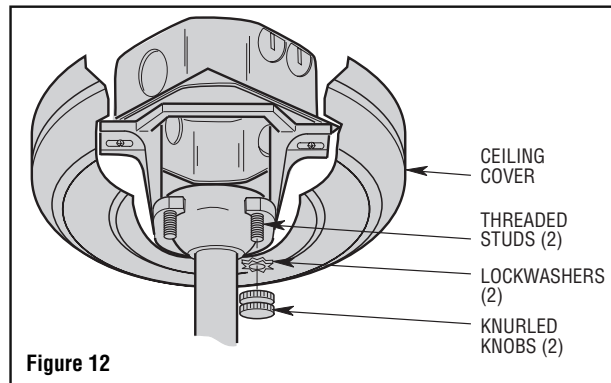


## 5. How to Wire Your Ceiling Fan (continued)

### **⚠ WARNING**

Check to see that all connections are tight, including ground, and that no bare wire is visible at the wire connectors, except for the ground wire. Do not operate fan until blades are in place. Noise and fan damage could result.

3. Screw the two threaded studs (supplied) into the tapped holes in the hanger bracket.
4. Lift the ceiling cover up to the threaded studs and turn until studs protrude through the holes in the ceiling cover (Figure 12).
5. Secure the ceiling cover in place by sliding lockwashers over the threaded studs and installing the two knurled knobs (supplied). (Figure 12). Tighten the knurled knobs securely until the ceiling cover fits snugly against the ceiling and the hole in the ceiling cover is clear of the downrod. Your fan is now wired to be turned on and off from the fan switch.



### **⚠ WARNING**

To avoid possible fire or shock, make sure that the electrical wires are completely inside the outlet box and not pinched between the ceiling cover and the ceiling.

## 6. Remote Control Procedures

Your Emerson Ceiling Fan/Light SR600 Remote Control consists of hand-held transmitter and a receiver which is mounted under the fan ceiling cover. The remote control is designed to separately control your ceiling fan speed, airflow direction and light intensity.

The remote control transmitter is powered by two AAA alkaline batteries (included). To prevent possible damage if the batteries should leak, be sure to remove the batteries when the control is not to be used for an extended period of time.

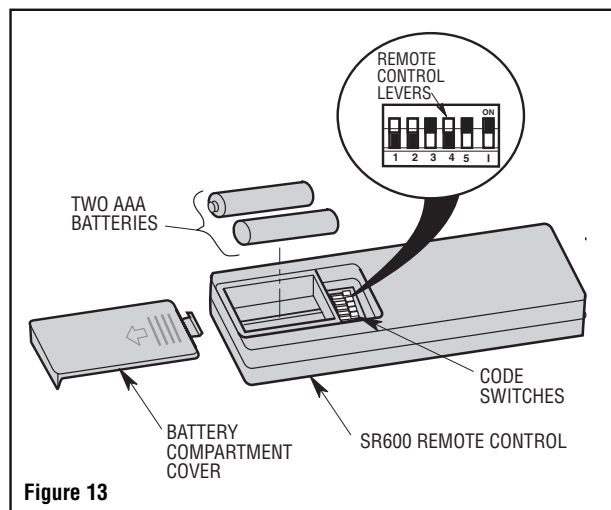
Code switches in the transmitter and receiver may be set in 32 different positions. If your fan and light go on and off without using your control, you may be getting interference from other remote units such as garage door openers, car alarms or security systems. To remedy this situations, simply change the combination code in your transmitter and follow procedures for Setting Operating Frequency of Remote Control.

### **Preset Memory Feature**

Your Emerson receiver is equipped with a preset memory feature. If the AC supply to the receiver is powered through a wall switch, when the switch is turned OFF, the control will remember the light intensity and fan speed. When the switch is turned back ON the light and fan will resume operation as they were prior to the switch being turned OFF.

### **Installation of Battery**

1. Remove the battery cover by pressing firmly below the arrow and sliding the cover off the control (Figure 13).
2. Install two AAA alkaline batteries and reinstall the battery cover.



## 6. Remote Control Procedures (continued)

Your remote control has code switches which must be set in one of 32 possible code combinations. The five levers (numbered 1, 2, 3, 4, and 5) on the switches are factory-set in the ON (up) position. Change the switch settings as follows (Figure 14).

1. Slide the five switch levers in the remote control to your choice of ON (up) or down positions. Use a ball-point pen or small screwdriver and slide the levers firmly up and down.
2. The sixth switch marked ON and I is for dimming controls of lights (if accessory light is installed). Set switch to ON to allow for dimming of lights. Set switch I for no dimming of lights such as fluorescent bulbs and non-dimming CFLs.

### **WARNING**

**Fan installation must be completed, including the installation of the fan blades, before testing the remote control.**

Your SR600 Fan/Light remote control (Figure 14) has full control of your fan speed, air flow direction and light intensity.

1. If airflow is desired in the opposite direction, press the (↺) button on the wall control. The fan must be operating at any speed for the reverse button to function. The blades will turn in the opposite direction and reverse the airflow.
2. To set the desired fan speed, press the (⏮) button to decrease the speed and the (⏭) to increase the speed. The LED display will light up to indicate the new speed selected.
3. To turn the downlight on, press and release the (💡) button. The light will turn on at the light intensity previously selected.
4. To turn the uplight on, press and release the (💡) button. The light will turn on at the light intensity previously selected.
5. To vary the intensity of the light, hold the DN or UP button down until the desired light intensity is reached, then release the button.
6. The sixth switch marked ON and I is for dimming control of lights: Set switch to ON to allow for dimming of the lights. Set switch to I for no dimming of the lights such as for fluorescent bulbs.

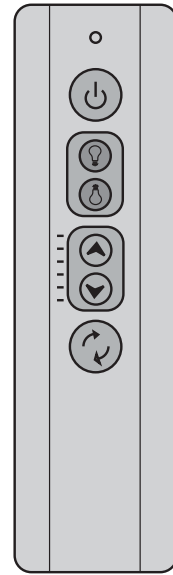


Figure 14

### **Installation of Storage Bracket for SR600 Remote Control**

A storage bracket is provided for holding your remote control when not in use. If you desire to use the bracket, install it on a wall that is away from excess heat or humidity (Figure 15)

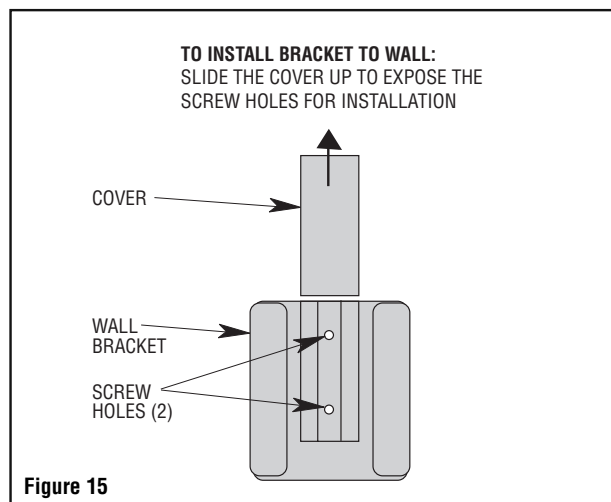


Figure 15

## 7. Programming the Receiver Operating Frequency & High Speed Conditioning of Fan Control

**IMPORTANT:** Ceiling fan blades **MUST** be installed before high speed conditioning can begin.

1. Within 1 minute of restoring electricity to the ceiling fan, push and hold the fan OFF button (⏻) for 3 to 5 seconds to set the code in the receiver. The ceiling fan lights (if installed) will blink to indicate the transmitted has been paired with the receiver.

**IMPORTANT:** Immediately after successful pairing, the ceiling fan will automatically begin high speed conditioning of the motor. During conditioning, the electronic motor control software is calculating speeds for the 2nd through 5th speed settings based on the blades that were installed on the fan.

2. The fan will run for approximately 2 minutes in the upward direction then reverse direction to down flow and run an additional 2 minutes. When conditioning is complete, the fan will come to complete stop.

**IMPORTANT:** Do not interrupt the conditioning until the fan comes to a complete stop in approximately 5 minutes. All functions of the control will be rejected during conditioning.

3. High speed conditioning is now complete.
4. If programming is unsuccessful, retry the above instructions after cycling the wall control ON/OFF switch to restart the 1 minute programming time period.
5. If still unsuccessful, shut off the electricity at the fuse box or breaker panel and change the control frequency (page 9). After changing the frequency settings, repeat instruction #1 of this section within one minute of restoring the electricity.

## 8. Maintenance

### IMPORTANT CARE INSTRUCTIONS for your Ceiling Fan

Periodic cleaning of your new ceiling fan is the only maintenance that is needed.

When cleaning, use only a soft brush or lint free cloth to avoid scratching the finish.

Abrasive cleaning agents are not required and should be avoided to prevent damage to finish.

### ⚠ WARNING

Do not use water when cleaning your ceiling fan. It could damage the motor or the blades and create the possibility of an electrical shock.

## 9. Accessories

1. Ceiling Fan Light Kits (see store or catalog).
2. Ceiling Fan/Light Controls (see store or catalog).
3. Downrod Extension Kits (see store or catalog).
4. Ceiling Fan Blades (see store or catalog).

### ⚠ WARNING

The use of any other control not specifically approved for this fan could result in fire, shock and personal injury.

### ⚠ WARNING

This product is designed to use only those parts supplied with this product and/or any accessories designated specifically for use with this product by Emerson Electric Co. Substitution of parts or accessories not designated for use with this product by Emerson Electric Co. could result in personal injury or property damage.

emersonfans.com

Please contact 1-800-654-3545 for further assistance

ETL Model No.: CF921

## 10. Optional Accent Kit Installation

**CAUTION:** To reduce the risk of electric shock, disconnect the electrical supply circuit to the fan before installing light kit assembly.

1. Remove the three coupling cover screws and slide the coupling cover up the downrod for installation of light kit assembly (Figure 16). Retain the three screws for later installation of coupling cover.
2. Position the light kit assembly so that the opening of the light kit assembly slides through the downrod. Align the mounting holes of the light kit assembly to the motor assembly (Figure 17).

**NOTE:** Be sure the light kit assembly connector is located close to the motor assembly connector for ease of installation.

3. Install the light kit assembly to the motor assembly using three light kit assembly mounting screws (Figure 17).
4. Securely connect the light kit assembly connector to the motor assembly connector (Figure 18).
5. Screw the four 25-watt candelabra base bulbs (supplied) into the light kit assembly sockets (Figure 18).

### WARNING

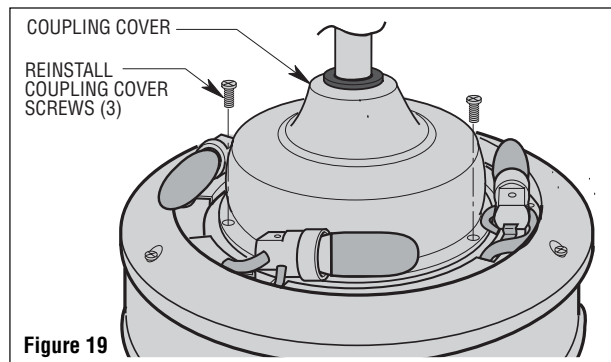
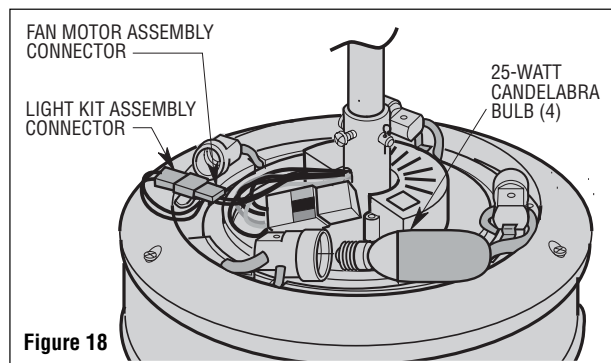
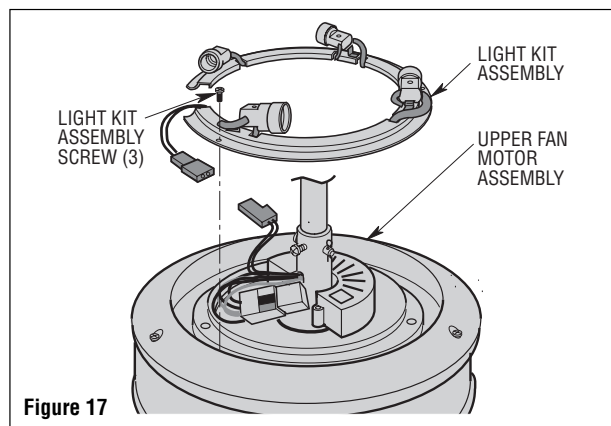
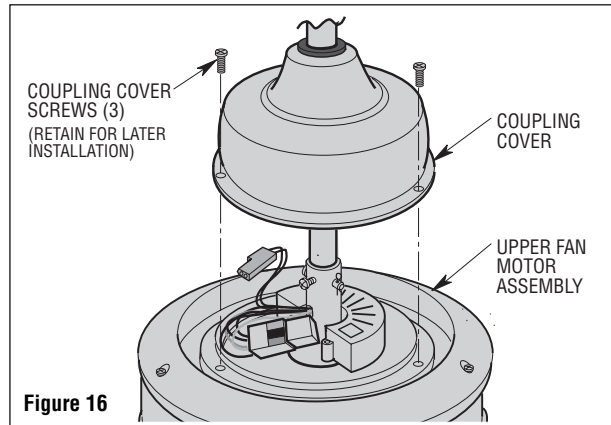
To avoid possible fire hazard, do not exceed four 25-watt candelabra base light bulbs.

6. Carefully tuck all wiring and wire connectors close to the downrod and slide the coupling cover over the wires.

**NOTE:** Be sure light kit assembly wires are positioned in the dimpled wireway of the upper housing to avoid pinching of the wires during installation of coupling cover.

**CAUTION:** Before installing and tightening the screws, be sure there are no wires pinched between the light kit assembly/motor assembly and coupling cover.

7. Reinstall the three coupling cover screws to secure the coupling cover (Figure 19).



# 11. Trouble Shooting

**⚠ WARNING: FOR YOUR OWN SAFETY TURN OFF POWER AT FUSE BOX OR CIRCUIT BREAKER BEFORE TROUBLE SHOOTING YOUR FAN.**

TROUBLE	PROBABLE CAUSE	SUGGESTED REMEDY
<b>1. Fan will not start.</b>	<ol style="list-style-type: none"> <li>1. Fuse or circuit breaker blown.</li> <li>2. Loose power line connections to the fan, or loose switch wire connections in the switch housing.</li> <li>3. Dead battery in remote control transmitter.</li> <li>4. Code switches in remote control receiver and transmitter are not in same positions.</li> </ol>	<ol style="list-style-type: none"> <li>1. Check main and branch circuit fuses or circuit breakers.</li> <li>2. Check line wire connections to fan and switch wire connections in the switch housing. <b>⚠ WARNING: Make sure main power is turned OFF.</b></li> <li>3. Replace battery (red indicator light on transmitter should light when any button is pressed).</li> <li>4. Check that code switches are in same positions. Reset if necessary.</li> </ol>
<b>2. Fan sounds noisy.</b>	<ol style="list-style-type: none"> <li>1. Blades not attached to fan.</li> <li>2. Loose screws in motor housing.</li> <li>3. Screws securing fan blade flanges to motor hub are loose.</li> <li>4. Wire connectors inside switch housing rattling.</li> <li>5. Screws holding blades to flanges are loose.</li> </ol>	<ol style="list-style-type: none"> <li>1. Attach blades to fan before operating.</li> <li>2. Check to make sure all screws in motor housing are snug (not over-tight).</li> <li>3. Check to make sure the screws which attach the fan flanges to the motor hub are tight.</li> <li>4. Check to make sure wire connectors in switch housing are not rattling against each other or against the interior wall of the switch housing. <b>⚠ WARNING: Make sure main power is turned OFF.</b></li> <li>5. Tighten screws securely.</li> </ol>
<b>3. Fan wobbles excessively.</b>	<ol style="list-style-type: none"> <li>1. Setscrew in motor coupling is loose.</li> <li>2. Setscrew in hanger ball/downrod assembly is loose.</li> <li>3. Screws securing fan blade flanges to motor are loose.</li> <li>4. Fan blade flanges not seated properly.</li> <li>5. Hanger bracket and/or ceiling outlet box is not securely fastened.</li> <li>6. Fan blades out of balance.</li> </ol>	<ol style="list-style-type: none"> <li>1. Tighten both setscrews securely in the motor coupling.</li> <li>2. Tighten the setscrew in the hanger ball/downrod assembly.</li> <li>3. Check to be sure screws which attach the fan blade flanges to the motor are tight.</li> <li>4. Check to be sure the fan blade flanges seat firmly and uniformly to the surface of the motor. If flanges are seated incorrectly, loosen the flange screws and retighten according to the procedure in the section on "Ceiling Fan Assembly".</li> <li>5. Tighten the hanger bracket screws to the outlet box, and/or secure outlet box.</li> <li>6. Interchanging an adjacent (side-by-side) blade pair can redistribute the weight and result in smoother operation.</li> </ol>

## **INSTRUCTION TO THE USER (if device contains a digital device)**

This equipment has been tested and found to comply with the limits for a class B digital device, pursuant to part 15 of the FCC Rules. These limits are designed to provide reasonable protection against harmful interference in a residential installation. This equipment generates, uses and can radiate radio frequency energy and if not installed and used in accordance with the instructions, may cause harmful interference to radio communications. However, there is no guarantee that interference will not occur in a particular installation. If this equipment does cause harmful interference to radio or television reception, which can be determined by turning the equipment off and on, the user is encouraged to try to correct the interference by one or more of the following measures:

- Reorient or relocate the receiving antenna.
- Increase the separation between the equipment and receiver.
- Connect the equipment into an outlet on a circuit different from that to which the receiver is connected.
- Consult the dealer or an experienced radio/TV technician for help.

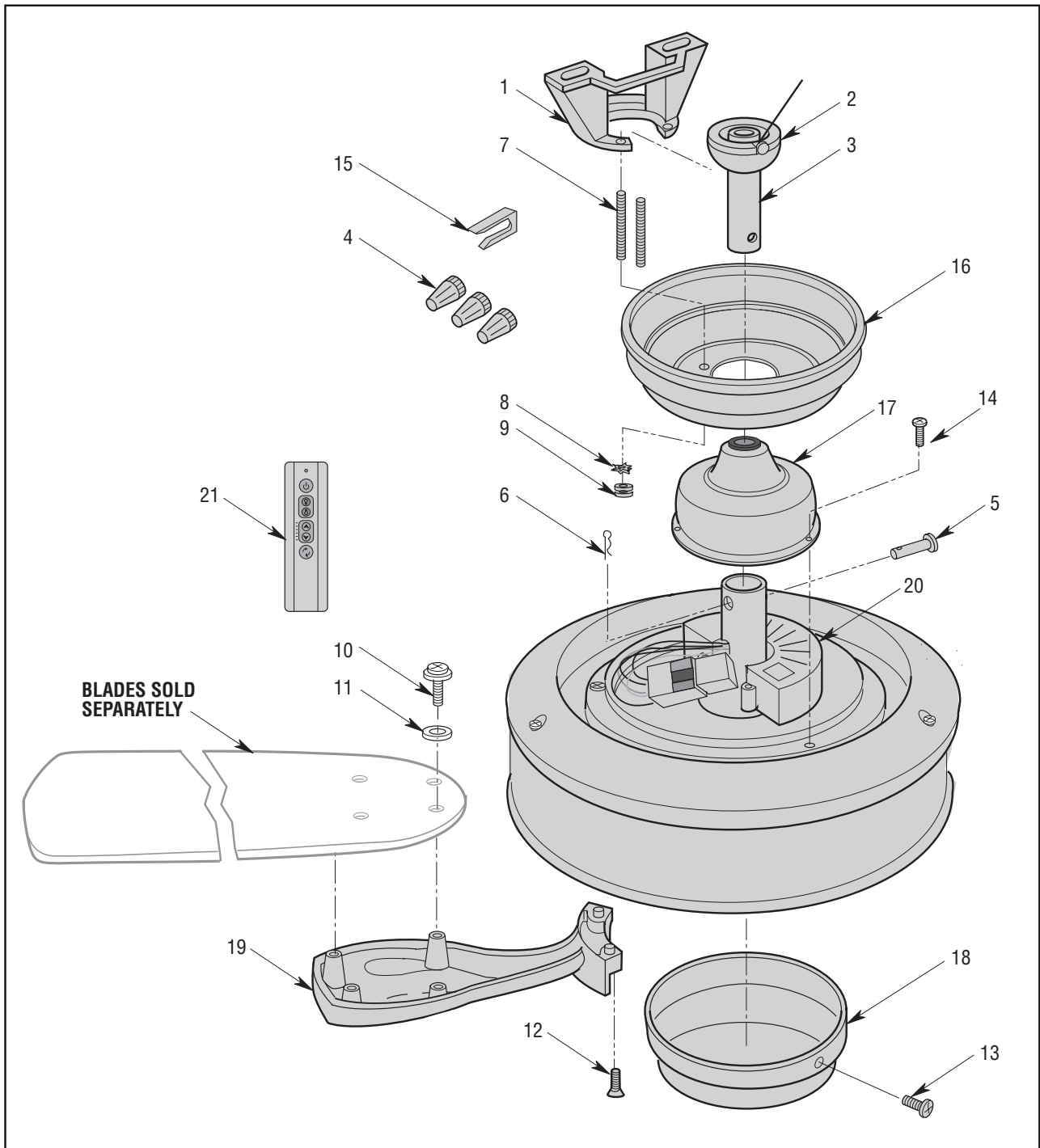
This equipment has been certified to comply with the limits for a class B computing device, pursuant to FCC Rules. In order to maintain compliance with FCC regulations, shielded cables must be used with this equipment. Operation with non-approved equipment or unshielded cables is likely to result in interference to radio and TV reception. The user is cautioned that changes and modifications made to the equipment without the approval of manufacturer could void the user's authority to operate this equipment.

This Class B digital apparatus meets all requirements of the Canadian Interference-Causing Equipment Regulations.



# Notes

# 12. Repair Parts



## 12. Repair Parts Listing

Key No.	Description	Model Numbers				
		CF921BS01	CF921GES01	CF921ORB01	CF921SW01	CF921VBN01
*	Hanger Ball Assembly, Consisting of:	761655-17	761655-35	761655-32	761655-92	761655-89
1	Hanger Bracket	—	—	—	—	—
2	Hanger Ball	—	—	—	—	—
3	Downrod (4.5")	—	—	—	—	—
*	Parts Bag Containing:	764124-1	764124	764124	764124-1	764124
4	Wire Connector (3)	—	—	—	—	—
5	Pin, Clevis (1)	—	—	—	—	—
6	Clip, Hairpin (1)	—	—	—	—	—
7	Threaded Stud, #8-32 x 1-1/4" (2)	—	—	—	—	—
8	Lockwasher, External Tooth #8 (2)	—	—	—	—	—
9	Knurled Knob, #8-32 (2)	—	—	—	—	—
10	Screw, Washer Head, #10-24 x 12mm (21)	—	—	—	—	—
11	Flat Washer 16mm OD (21)	—	—	—	—	—
12	Screw, Pan Head, 1/4-20 x 14mm with Lockwasher (1)	—	—	—	—	—
13	Screw, Flat Head, #8-32 x 8mm (1)	—	—	—	—	—
14	Screw, Pan Head, #8-32 x 8mm (1)	—	—	—	—	—
15	Balancing Kit (1)	—	—	—	—	—
16	Canopy, Ceiling (1)	761620-BS	761620-GES	761620-ORB	761620-SW	761620-VNB
17	Motor Coupling Cover (1)	764118-BS	764118-GES	764118-ORB	764118-SW	764118-VNB
18	Switch Housing (1)	764116-BS	764116-GES	764116-ORB	764116-SW	764116-VNB
19	Flange Assembly (set of 5)	764134-BS	764134-GES	764134-ORB	764134-SW	764134-VNB
20	Motor Control, Receiver	764125-1	764125-1	764125-1	764125-1	764125-1
21	Control, Transmitter SR600 Remote	SR600	SR600	SR600	SR600	SR600
—	Owner's Manual	BP7433-3	BP7433-3	BP7433-3	BP7433-3	BP7433-3

**Before discarding packaging material, be certain all parts have been removed.**

### HOW TO ORDER REPAIR PARTS

WHEN ORDERING REPAIR PARTS, ALWAYS GIVE THE FOLLOWING INFORMATION:

- PART NUMBER
- NAME OF ITEM
- PART DESCRIPTION
- MODEL NUMBER

The model number of your Fan will be found on a label attached to the top housing.

For repair parts, phone 1-800-654-3545.

# Notes

# Emerson Air Comfort Ceiling Fan Limited Warranty

## **What The Limited Warranty Covers:**

This limited warranty is offered by Air Comfort Products division of Emerson Electric Co. ("Emerson" "we" or "us") located at the address stated below to the original retail purchaser ("you" or "your") of an Emerson Air Comfort Ceiling Fan product ("Emerson Ceiling Fan") and covers the motor and the other components and accessories of the Emerson Ceiling Fan against all defects in workmanship and materials.

## **What The Period Of Coverage Is:**

This limited warranty will cover the Emerson Ceiling Fan motor for the expected lifetime of your Emerson Ceiling Fan (when operated in accordance with your Owner's Manual or other instructions provided by Emerson to you with the Emerson Ceiling Fan). All other components and accessories of the Emerson Ceiling Fan are covered by this limited warranty for a period of one (1) year from its date of original retail purchase. ANY IMPLIED WARRANTY, INCLUDING WITHOUT LIMITATION, ANY IMPLIED WARRANTY OF MERCHANTABILITY OR FITNESS FOR A PARTICULAR PURPOSE THAT IS AVAILABLE TO YOU UNDER THE LAWS OF YOUR STATE OR PROVINCE SHALL COVER THE MOTOR FOR THE EXPECTED LIFETIME OF THE MOTOR (SUBJECT TO PROPER USE), AND FOR ONE YEAR WITH RESPECT TO COMPONENTS AND ACCESSORIES.

## **No Other Express or Implied Warranty Applies:**

THE LIMITED WARRANTIES PROVIDED ABOVE ARE THE SOLE AND EXCLUSIVE WARRANTIES PROVIDED BY EMERSON TO YOU FOR YOUR EMERSON CEILING FAN, AND ARE IN LIEU OF ALL OTHER WARRANTIES, WRITTEN OR ORAL, EXPRESS OR IMPLIED, WHETHER ARISING BY OPERATION OF LAW OR OTHERWISE, WHETHER OR NOT THE PURPOSE HAS BEEN DISCLOSED AND WHETHER OR NOT THE EMERSON CEILING FAN HAS BEEN SPECIFICALLY DESIGNED OR MANUFACTURED FOR YOUR USE OR PURPOSE. EMERSON HEREBY DISCLAIMS ANY AND ALL IMPLIED WARRANTIES, INCLUDING WITHOUT LIMITATION, IMPLIED WARRANTIES OF MERCHANTABILITY OR FITNESS FOR A PARTICULAR PURPOSE FOR COMPONENTS AND ACCESSORIES AS OF THE EXPIRATION OF THE ONE YEAR WARRANTY PERIOD FOR SUCH COMPONENTS AND ACCESSORIES. IMPLIED WARRANTIES OF MERCHANTABILITY OR FITNESS FOR A PARTICULAR PURPOSE FOR THE MOTOR PORTION OF THE EMERSON CEILING FAN ARE LIKEWISE DISCLAIMED BY EMERSON AT SUCH TIME THAT THE EXPECTED LIFETIME OF THE EMERSON CEILING FAN UNDER NORMAL USAGE HAS BEEN REACHED. EXCLUSIONS OR LIMITATIONS OF IMPLIED WARRANTIES MAY VARY FROM STATE TO STATE AND PROVINCE TO PROVINCE SO THE ABOVE LIMITATIONS MAY NOT APPLY TO YOU.

## **What We Will Do To Correct Problems:**

If during the one (1) year warranty period the motor or any component or accessory of your Emerson Ceiling Fan is defective in materials or workmanship, or if during the expected lifetime of the Emerson Ceiling Fan (when used in accordance with the User Manual or other instructions) the motor is defective in materials or workmanship, you must contact Emerson during the applicable warranty period. If the defect is covered by warranty, Emerson will repair or replace the defective motor, component or other accessory at no charge to you. If repair of the motor, component or accessory is not practical or possible within a reasonable time and no replacement Emerson Ceiling Fan can be provided, Emerson will refund to you the actual purchase price of your Emerson Ceiling Fan. We will ship the repaired or the replacement Emerson Ceiling Fan to you at no charge, but you are responsible for all costs of removal and reinstallation of your Emerson Ceiling Fan.

## **How You Can Receive Warranty Service:**

You must be the original retail purchaser and have proof of your purchase of the Emerson Ceiling Fan to obtain your remedy under this limited warranty. You can return your Emerson Ceiling Fan to your place of purchase, or you can call Emerson Customer Service at 1-800-237-6511 to obtain a return authorization and service identification tag. In order for us to confirm that your Emerson Ceiling Fan is still under warranty, please retain your receipt or other proof of purchase and have that information readily available when returning your Emerson Ceiling Fan to your place of purchase, or upon calling Emerson Customer Service. If you call Emerson Customer Service, prior to your call please be prepared to provide all model numbers shown on your Emerson Ceiling Fan. Once we have processed your return authorization request, we will provide you with a postage paid return label which should be affixed to the Emerson Ceiling Fan package you ship to the address listed at the end of this limited warranty. The return label will be sent to the mailing address you provide to us by phone.

## **What Is Not Covered:**

### **This limited warranty does not extend to and expressly excludes:**

- The glass globes and light bulbs of your Emerson Ceiling Fan,
- Loss or damage to the motor or any component or accessory caused by normal wear and tear, rather than due to defects in materials or workmanship,
- Loss or damage resulting from conditions beyond our reasonable control, including without limitation, repairs not made at our factory or authorized service center, use of parts or accessories not provided to you as part of this warranty by our factory or authorized service center, mishandling, unreasonable use, misuse, abuse, modifications or other damage caused by you or a third party to your Emerson Ceiling Fan while not in our possession,
- Loss or damage resulting from improper installation, or other failure to comply with instructions in your Owner's Manual.

This limited warranty is deemed null and void upon the occurrence of either of the following events:

- You cease to own the Emerson Ceiling Fan product, or
- The Emerson Ceiling Fan is moved from its original point of installation.

This limited warranty is only valid within the 50 United States, the District of Columbia, and Canada. No other written or oral warranties apply, and no employee, agent, dealer or other person is authorized to give any warranties on behalf of Air Comfort Products or Emerson Electric Co.

## **Limitation of Liability**

REPAIR, REPLACEMENT OR A REFUND ARE THE EXCLUSIVE REMEDIES AVAILABLE TO YOU UNDER THIS LIMITED WARRANTY. TO THE EXTENT PERMITTED BY LAW, IN NO EVENT SHALL EMERSON OR ANY EMERSON AUTHORIZED DEALER BE LIABLE FOR ANY INCIDENTAL, SPECIAL, INDIRECT, OR CONSEQUENTIAL DAMAGES, INCLUDING ANY ECONOMIC LOSS, WHETHER RESULTING FROM NONPERFORMANCE, USE, MISUSE OR INABILITY TO USE THE EMERSON CEILING FAN OR FOR THE NEGLIGENCE OF EMERSON OR AN EMERSON AUTHORIZED DEALER. EMERSON SHALL NOT BE LIABLE FOR DAMAGES CAUSED BY DELAY IN PERFORMANCE AND IN NO EVENT, REGARDLESS OF THE FORM OF THE CLAIM OR CAUSE OF ACTION (WHETHER BASED IN CONTRACT, INFRINGEMENT, NEGLIGENCE, STRICT LIABILITY, OTHER TORT OR OTHERWISE), SHALL EMERSON'S OR ANY EMERSON AUTHORIZED AGENT'S LIABILITY TO YOU OR ANY INDIVIDUAL USING THE EMERSON CEILING FAN EXCEED THE PRICE PAID BY THE ORIGINAL OWNER FOR THE EMERSON CEILING FAN. The term "consequential damages" shall include, but not be limited to, loss of anticipated profits, business interruption, loss of use or revenue, cost of capital or loss or damage to property or equipment.

## **How State and Provincial Law Relates To The Warranty:**

Some states and provinces do not allow the exclusion or limitation of incidental or consequential damages so the above exclusion or limitation may not apply to you. This limited warranty gives you specific legal rights, and you may also have other rights which vary from state to state or province to province.

emersonfans.com

Please contact 1-800-654-3545 for further assistance

ETL Model No.: CF921



# EMERSON™

## **Air Comfort Products**

DIVISION OF EMERSON ELECTRIC CO.  
8100 W. Florissant • St. Louis, MO 63136

Questions, problems, missing parts: Before returning to the store call  
Emerson Electric Customer Service  
8 a.m. - 6 p.m., EST, Monday-Friday

**1-800-654-3545**

**[www.emersonfans.com](http://www.emersonfans.com)**

Retain this manual for future use.